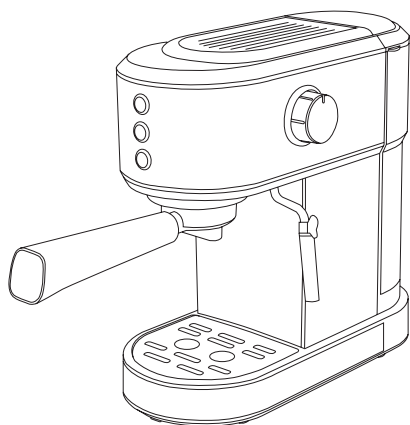


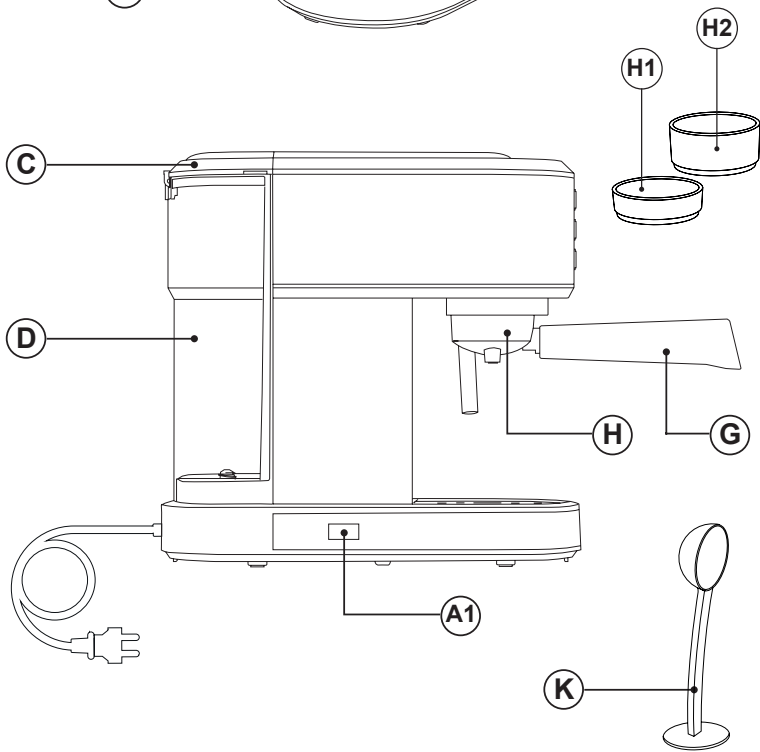
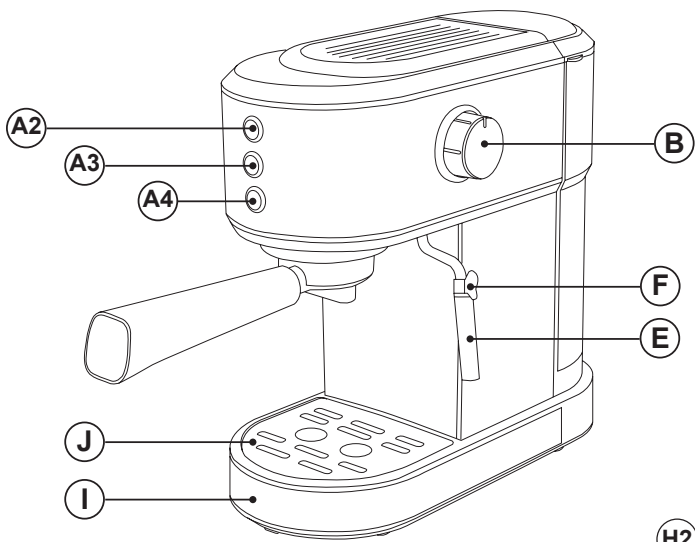


- EN. Instructions for use
- FR. Mode d'emploi
- DE. Gebrauchsanleitung
- IT. Istruzioni per l'uso
- ES. Instrucciones de uso
- PT. Instruções de uso
- NL. Gebruiksaanwijzing
- PL. Instrukcja obsługi
- EL. Οδηγίες χρήσης
- RU. Инструкция по применению
- RO. Instrucțiuni de utilizare
- BG. Инструкция за употреба
- CA. Instruccions d'ús
- DA. Brugsanvisning
- NO. Instruksjoner for bruk
- SV. Användningsinstruktioner
- FI. Käyttöohjeet
- TR. Kullanım için talimatlar
- HE. הוראות לשימוש



BXCO1350E





**ESPRESSO COFFEE MAKER
BXCO1350E**

Dear customer,

Many thanks for choosing to purchase a Black+Decker brand product.

Thanks to its technology, design and operation and the fact that it exceeds the strictest quality standards, a fully satisfactory use and long product life can be assured.

SAFETY ADVICE AND WARNINGS

- Read these instructions carefully before switching on the appliance, and keep them for future reference. Failure to follow and observe these instructions could lead to an accident.
- This appliance can be used by children aged 8 years and above if they have been given supervision or instruction concerning the use of the appliance in a safe way and if they understand the hazards involved. Cleaning and user maintenance shall not be made by children unless they are older than 8 and supervised. Keep the appliance and its cord out of reach of children aged less than 8 years.
- This appliance can be used by persons with reduced physical, sensory or mental capabilities or lack of experience and knowledge if they have been given supervision or instruction concerning the use of the appliance in a safe way and if they understand the hazards involved.
- Children should be supervised to ensure that they do not play with the appliance.

- Clean all the parts of the product that will be in contact with coffee or water, as indicated in the «Cleaning» section, before use.
- This appliance must not be immersed in water or any other liquid.
- Avoid spillage on the connector.
- The heating element surface is subject to residual heat after use.
- **WARNING:** Misuse of this appliance can lead to potential injury. Care shall be taken during cleaning.
- The coffee-maker shall not be placed in a cabinet when in use.
- If the supply cord is damaged, it must be replaced by the manufacturer, its service agent or similarly qualified persons in order to avoid a hazard.
- This appliance is intended to be used in household and similar applications such as:
 - Staff kitchen areas in shops, offices and other working environments;
 - farmhouses;
 - by clients in hotels, motels and other residential-type environments;
 - bed and breakfast type environments
- Ensure that the voltage indicated on the rating label matches the mains voltage before plugging in the appliance.
- Connect the appliance to a mains socket rated at least 10 amperes.
- The appliance's plug must fit into the mains socket properly. Do not alter the plug. Do not use plug adaptors.
- Do not use the appliance if the supply cord or the plug is damaged.
- Do not pull on the supply cord. Never use the supply cord to lift up, carry or unplug the appliance.

- Do not wrap the supply cord around the appliance.
- Check the state of the supply cord. If it is damaged, it will increase the risk of electric shock.
- If the appliance enclosure breaks, immediately disconnect the appliance from the mains to prevent the possibility of an electric shock.
- Do not use the appliance if it has been dropped, if there are visible signs of damage or if it has a leak.
- Do not touch the plug with wet hands.
- The appliance must be used and placed on a flat, stable surface.
- Do not place the appliance on hot surfaces, such as cooking plates, gas burners, ovens or similar.
- Take care to avoid starting the appliance involuntarily.
- Do not leave the appliance out in the rain or exposed to moisture. If water gets into the appliance, this will increase the risk of electric shock.

USE AND CARE

- Fully extend the appliance's supply cord before each use.
- Do not use the appliance if its accessories are not properly fitted.
- Do not use the appliance if the accessories attached to it are defective. Replace them immediately.
- Do not switch the appliance on without water.
- Do not use the appliance if the On/Off button does not work.
- Do not turn the appliance over while it is in use or connected to the mains.
- Respect the MAX and MIN levels.
- Disconnect the appliance from the mains when not in use and before undertaking any cleaning task.
- Store this appliance out of reach of children and/ or persons with physical, sensory or reduced mental or lack of experience and knowledge.
- Only use water with the appliance.
- It is recommended the use of bottled mineral water adapted for human consumption.
- Do not remove the filter holder when coffee is being made, as it is then under pressure.

DESCRIPTION

- A Control Buttons
- A1 On/Off button
 - A2 1-cup button
 - A3 2-cup button

- A4 Steam heating button
- B Steam knob
- C Water tank lid
- D Water tank
- E Steam pipe
- F Steam pipe handle
- G Filter holder
- H Filter
- H1 Ground coffee filter (1 cup)
- H2 Ground coffee filter (2 cups)
- I Drip tray
- J Tray grill
- K Measuring spoon

If the model of your appliance does not have the accessories described above, they can also be bought separately from the Technical Assistance Service.

INSTRUCTIONS FOR USE

BEFORE USE

- Make sure that all the product's packaging has been removed.
- Please read carefully the "Safety advice and warnings" section before first use.
- Before using the product for the first time, we recommend running it just with water.
- Before using the product for the first time, clean the parts that will come into contact with water and coffee in the manner described in the «Cleaning» section.

FILLING WITH WATER

- You must fill the water tank before turning on the appliance.
- Extract the water tank from its place by pulling it upwards..
- Open the water tank lid.
- Fill the water tank, taking care to observe the MAX and MIN levels.
- Close the lid.
- Put the water tank back into its housing, ensuring that it is inserted properly.
- NOTE: It is not mandatory to remove the water tank. Even so, if it's done, make sure that it is placed correctly after filling it.

FILLING WITH COFFEE

- Remove the filter holder, turning it clockwise.
- With the help of the measuring spoon, place coffee powder compatible with espresso machines in the filter. 1 spoon for 1 cup, 2 spoons for 2 cups. (6-7 g per cup to be prepared).
- Next, lightly press down the ground coffee with the back of the spoon.
- Replace the filter holder in the appliance by turning it anti-clockwise.
- NOTE: Verify the filter holder is properly fitted before making coffee.

USE

- Connect the appliance to the mains.
- Press the On/Off button. The ring light on the buttons will start blinking, indicating that the coffee machine is preheating.
- Once they stop blinking, the coffee machine will have heated up and will be ready to brew your preferred coffee.

MAKING ONE COFFEE

- Follow the steps in the 'Filling with Coffee' section above, according to one cup of powdered coffee filling.
- Once the filter holder is in its place, press the 1-cup button.
- The coffee machine will stop automatically once the coffee is brewed.

MAKING TWO COFFEES

- Follow the steps in the 'Filling with Coffee' section above, according to two cups of powdered coffee filling.
- Once the filter holder is in its place, press the 2-cups button.
- The coffee machine will stop automatically once both coffees are brewed.

HOT WATER

- Once the coffee machine has heated up, place a cup under the steam pipe.
- Open the steam knob turning it anticlockwise. Hot water will start coming out.
- To end, close the water system by turning the knob in reverse.

MILK FROTHING

- Once the coffee machine has heated up, press the steam button. It will start blinking.
- Once the button stops blinking, the machine will be ready to make dry steam.

- Place a cup with milk under the steam pipe and introduce the steam pipe until the outlet is nearly at the bottom of the cup.
- Open the steam knob turning it anticlockwise. The noise of the steam coming out will be heard.
- Adjust the temperature by touching the cup, and when the milk is at the desired temperature, close the steam knob.
- NOTE: After steaming, press the steam button. After that place a cup under the steam pipe and follow the steps on the hot water section of this manual. Releasing some water will lower the temperature and relieve the pressure.

SETTING UP THE COFFEE QUANTITY

- You can set the duration for the two electronic functions of this coffee maker (make one coffee or two coffees).
- To do this, prepare the machine according to the function you wish to set up.
- Press the button of the function you wish to set up for 3 seconds.
- You will see that the other buttons stop illuminating.
- Remember to place a cup under the filter holder.
- Press the button again to start the setting.
- When you reach the desired duration, press again to record the amount.

STAND-BY FUNCTION

- In order to save energy, the appliance passes to stand-by after 25 minutes if the user does not use it.
- When the appliance enters the stand-by function, the On/Off button will keep blinking slowly.
- If you want to restart the machine, you can press any of the three buttons.

ONCE YOU HAVE FINISHED USING THE APPLIANCE

- Turn the appliance off using the On/Off button. Unplug the appliance from the mains.
- Let the appliance cool down.
- Clean the appliance.

SAFETY THERMAL PROTECTOR

- The appliance has a safety device which protects the appliance from overheating.
- If the appliance switches itself on and off repeatedly, check to ensure that there are no obstacles that impede correct air entry or expulsion.
- If the appliance turns itself off and does not switch itself on again, disconnect it from the mains supply and wait for approximately 15 minutes before reconnecting. If the machine does not start again, seek authorised technical assistance.

CLEANING

- Disconnect the appliance from the mains and allow it to cool before undertaking any cleaning task.
- Clean the equipment with a damp cloth with a few drops of washing-up liquid and then dry.
- Do not use solvents or products with an acid or base pH, such as bleach or abrasive products, for cleaning the appliance.
- Do not let water or any other liquid get into the air vents to avoid damage to the inner parts of the appliance.
- The following pieces may be washed in a dishwasher (using a soft cleaning program) or soapy hot water:
 - Measuring spoon
 - Water tank
 - Water tank lid
 - Filters
 - Drip tray
 - Tray grill

- The draining/drying position of the articles washable in the sink must allow the water to drain away easily.
- Then, dry all parts before their assembly and storage.

HOW TO DEAL WITH LIMESCALE INCRUSTATIONS

- For the appliance to work correctly, it should be kept free of limescale or magnesium incrustations caused by the use of hard water.
- To prevent this kind of problem, we recommend the use of water with low lime or magnesium mineralisation.
- This coffee maker should be descaled after 500 cycles. This time is a guideline, and we recommend the following:
 - Every 10 weeks if the water is "very hard".
 - Every 17 weeks if the water is "hard".
- Homemade solutions are not recommended in the decaling of this appliance, such as the use of vinegar.

SERVICE

- Any misuse or failure to follow the instructions for use renders the guarantee and the manufacturer's liability null and void.

ANOMALIES AND REPAIR

- Take the appliance to an authorised technical support service if problems arise. Do not try to dismantle or repair without assistance, as this may be dangerous.

WARRANTY AND TECHNICAL ASSISTANCE

This product enjoys the recognition and protection of the legal guarantee in accordance with current legislation. To enforce your rights or interests, you must go to any of our official technical assistance services.

You can find the closest one by accessing the following web link: <https://www.blackanddecker.eu/>

You can also request related information by contacting us.

You can download this instruction manual and its updates at <https://www.blackanddecker.eu/>

FOR EU PRODUCT VERSIONS AND/OR IN THE CASE THAT IT IS REQUESTED IN YOUR COUNTRY: ECOLOGY AND RECYCLABILITY OF THE PRODUCT

- The materials of which the packaging of this appliance consists are included in a collection, classification and recycling system. Should you wish to dispose of them, use the appropriate public containers for each type of material.
- The product does not contain concentrations of substances that could be considered harmful to the environment.



This symbol means that in case you wish to dispose of the product once its working life has ended, take it to an authorised waste agent for the selective collection of waste electrical and electronic equipment (WEEE).

- This appliance complies with Directive 2014/35/EU on Low Voltage, Directive 2014/30/EU on Electromagnetic Compatibility, Directive 2011/65/EU on the restrictions of the use of certain hazardous substances in electrical and electronic equipment and Directive 2009/125/EC on the ecodesign requirements for energy-related products.
- Information regarding substances of very high concern (SVHC) according to the Regulation 1907/2006/EC (REACH). This product contains the following substances SVHC:
 - Lead (Pb), CAS Number: 7439-92-1
 - Cadmium (Cd), CAS Number: 7440-43-9

Black & Decker® and BLACK+DECKER™ and the Black & Decker® and BLACK+DECKER™ logos are registered trademarks of The Black & Decker® Corporation and are used under licence. All rights reserved. Imported and Distributed by ENGINEERING AND TECHNOLOGY FOR LIFE, S.L. Avda. Barcelona s/n Oliana, 25790, Spain

CAFETIÈRE EXPRESSO
BXCO1350E

Cher Client,

Un grand merci d'avoir choisi d'acheter un produit de marque Black+Decker.

Sa technologie, son design et sa fonctionnalité, outre sa parfaite conformité aux normes de qualité les plus strictes, vous permettront d'en tirer une longue et durable satisfaction.

- Lisez attentivement cette notice d'instructions avant de mettre l'appareil en marche, et conservez-la pour la consulter ultérieurement. Le non-respect de ces instructions peut être source d'accident.
- Cet appareil peut être utilisé par des enfants âgés d'au moins 8 ans s'ils (si elles) sont correctement surveillé(e)s ou si des instructions relatives à l'utilisation de l'appareil en toute sécurité leur ont été données et si les risques encourus ont été appréhendés. Le nettoyage et l'entretien par l'utilisateur ne doivent pas être effectués par des enfants à moins qu'ils ne soient âgés de 8 ans ou plus et qu'ils soient supervisés. Gardez l'appareil et son cordon hors de portée des enfants de moins de 8 ans.
- Cet appareil peut être utilisé par des personnes ayant des capacités physiques, sensorielles ou mentales réduites ou dénuées d'expérience ou de connaissance, s'ils (si elles) sont correctement surveillé(e)s ou si des instructions relatives à l'utilisation de l'appareil en toute sécurité leur ont été données et si les risques encourus ont été appréhendés.
- Il convient de surveiller les enfants pour s'assurer qu'ils ne jouent pas avec l'appareil.
- Le nettoyage et l'entretien ne doivent pas être effectués par des enfants sans surveillance.
- Avant la première utilisation, laver les parties en contact avec le café ou l'eau, comme indiqué à la section nettoyage.
- Cet appareil ne doit pas être immergé dans l'eau ou dans tout autre liquide.
- Des précautions doivent être prises pour éviter tout débordement sur le connecteur.
- La surface de l'élément chauffant présente une chaleur résiduelle après utilisation.
- MISE EN GARDE: Il y a des risques de blessure en cas de mauvaise utilisation de cet appareil. Des précautions doivent être prises lors du nettoyage.
- La cafetière ne doit pas être placée dans un meuble lorsqu'elle est utilisée.
- Si le câble d'alimentation est endommagé, il doit être remplacé par le fabricant, son service après-vente ou des personnes de qualification similaire afin d'éviter un danger.
- L'appareil est destiné à être utilisé pour des applications domestiques et analogues telles que :
 - cuisine des employés dans les magasins, bureaux et autres environnements de travail;

- fermes;
 - par des clients d'hôtels, motels et autres environnements de type résidentiel;
 - environnements de type chambres d'hôtes.
- Avant de raccorder l'appareil au secteur, s'assurer que le voltage indiqué sur la plaque signalétique correspond à celui du secteur.
 - Raccorder l'appareil à une prise de courant d'au moins 10 ampères.
 - La prise de courant de l'appareil doit coïncider avec la base de la prise de courant. Ne jamais modifier la prise de courant. Ne pas utiliser d'adaptateur de prise de courant.
 - Ne pas utiliser l'appareil si son câble électrique ou sa prise est endommagé.
 - Ne tirez pas sur le cordon d'alimentation. Ne jamais utiliser le câble électrique pour lever, transporter ou débrancher l'appareil.
 - Ne pas enrouler le câble électrique autour de l'appareil.
 - Vérifier l'état du câble électrique de connexion. Les câbles endommagés ou emmêlés augmentent le risque de choc électrique.
 - Si le boîtier de l'appareil se brise, débrancher immédiatement l'appareil du réseau électrique afin d'éviter tout risque d'électrocution.
 - Ne pas utiliser l'appareil s'il est tombé, ou en présence de signes visibles de dommages ou en cas de fuite.
 - Ne pas toucher la prise de raccordement avec les mains mouillées.
 - L'appareil doit être utilisé et placé sur une surface plane et stable.
 - Ne pas placer l'appareil sur des surfaces chaudes, plaques de cuisson, cuisinières à gaz, fours ou similaires.
 - Prendre les précautions nécessaires pour éviter de mettre en marche involontairement l'appareil.
 - Ne pas exposer l'appareil à la pluie ou à un environnement humide. L'eau qui entre dans l'appareil augmente le risque de décharge électrique.

UTILISATION ET ENTRETIEN

- Déroulez complètement le cordon d'alimentation de l'appareil avant chaque utilisation.
- N'utilisez pas l'appareil si ses accessoires ne sont pas correctement installés.

- N'utilisez pas l'appareil si les accessoires qui y sont fixés sont défectueux. Remplacez-les immédiatement.
- Ne mettez pas l'appareil en marche sans eau.
- N'utilisez pas l'appareil si l'interrupteur marche/arrêt ne fonctionne pas.
- Ne retournez pas l'appareil lorsqu'il est en cours d'utilisation ou branché sur le secteur.
- Respectez les niveaux MAX et MIN.
- Débranchez l'appareil lorsqu'il n'est pas utilisé et avant d'entreprendre toute opération de nettoyage.
- Conservez cet appareil hors de portée des enfants et/ou des personnes souffrant de déficiences physiques, sensorielles ou mentales ou d'un manque d'expérience et de connaissances.
- N'utilisez que de l'eau avec l'appareil.
- L'utilisation d'eau minérale en bouteille adaptée à la consommation humaine est recommandée.
- Pendant la préparation du café, ne retirez pas le porte filtre, car il est alors sous pression.

DESCRIPTION

A	Boutons de contrôle
A1	Bouton marche/arrêt
A2	Bouton 1 tasse
A3	Bouton 2 tasses
A4	Bouton de réchauffement de la vapeur
B	Bouton de vapeur
C	Couvercle du réservoir d'eau
D	Réservoir d'eau
E	Buse vapeur
F	Poignée du buse vapeur
G	Porte filtre
H	Filtre
H1	Filtre pour café moulu (1 tasse)
H2	Filtre pour café moulu (2 tasses)
I	Plateau d'égouttage
J	Grille plateau
K	Cuillère doseuse

Si le modèle de votre appareil n'est pas équipé des accessoires décrits ci-dessus, ceux-ci peuvent être achetés séparément auprès du service d'assistance technique.

MODE D'EMPLOI

AVANT L'UTILISATION

- Assurez-vous que tous les emballages du produit ont été retirés.
- Veuillez lire attentivement le livret "Conseils de sécurité et avertissements" avant la première utilisation.
- Avant d'utiliser le produit pour la première fois, il est recommandé de le faire fonctionner uniquement avec de l'eau.
- Avant d'utiliser le produit pour la première fois, nettoyez les parties qui entreront en contact avec le café et l'eau de la manière décrite dans la section "Nettoyage".

REPLISSAGE AVEC DE L'EAU

- Vous devez remplir le réservoir d'eau avant de mettre l'appareil en marche.
- Extrais le réservoir d'eau de son emplacement.
- Ouvrez le couvercle.
- Remplissez le réservoir d'eau en veillant à respecter les niveaux MAX et MIN.
- Fermez le couvercle.
- Remettez le réservoir d'eau dans son logement en veillant à ce qu'il soit correctement inséré.
- NOTE : Il n'est pas obligatoire d'enlever le réservoir d'eau. Toutefois, si vous le faites, veillez à ce qu'il soit placé correctement après l'avoir rempli.

REPLISSAGE AVEC DU CAFÉ

- Retirez le porte filtre en le tournant dans le sens des aiguilles d'une montre.
- À l'aide de la cuillère doseuse, introduisez dans le filtre le café moulu compatible avec les machines à expresso. 1 cuillère pour 1 tasse, 2 cuillères pour 2 tasses. (6-7 g par tasse à préparer).
- Ensuite, appuyez légèrement sur le café moulu avec le dos de la cuillère.
- Remettez le porte filtre en place dans l'appareil.
- NOTE : Vérifiez que le porte filtre est correctement fixé après le chargement.

UTILISER

- Branchez l'appareil sur le réseau électrique.
- Activez le bouton Marche/Arrêt. L'anneau lumineux des boutons commence à clignoter, indiquant que la machine à café est en cours de préchauffage.
- Lorsqu'ils cessent de clignoter, la machine à café passe en position chauffée et est prête à préparer le café de votre choix.

PRÉPARATION D'UN CAFÉ

- Suivez les étapes indiquées précédemment, en fonction d'une tasse de café moulu à remplir.
- Une fois le porte filtre en place, appuyez sur le bouton 1 tasse.
- La machine à café s'arrête automatiquement une fois le café préparé.

PRÉPARATION DE DEUX CAFÉS

- Suivez les étapes indiquées précédemment, en fonction de deux tasses de café moulu à remplir.
- Une fois le porte filtre en place, appuyez sur le bouton 2 tasses.
- La machine à café s'arrête automatiquement lorsque les deux cafés sont préparés.

EAU CHAUDE

- En position chauffée, placez une tasse sous le buse vapeur.
- Ouvrez le bouton de vapeur en le tournant dans le sens inverse des aiguilles d'une montre. L'eau chaude commence à sortir.
- Pour terminer, fermez le système d'eau en tournant le bouton dans le sens inverse.

MOUSSE DE LAIT

- En position chauffée, appuyez sur le bouton vapeur. Il se met à clignoter.
- Lorsque le bouton cesse de clignoter, l'appareil est prêt à produire de la vapeur sèche.
- Placez une tasse avec du lait sous le buse vapeur et introduisez le buse vapeur jusqu'à ce que la sortie soit presque au fond de la tasse.
- Ouvrez le bouton de vapeur en le tournant dans le sens inverse des aiguilles d'une montre. On entend le bruit de la vapeur qui s'échappe.
- Réglez la température en touchant la tasse, et lorsque vous la jugez prête, fermez le bouton vapeur.
- NOTE : Après la cuisson à la vapeur, si vous souhaitez revenir à l'extraction du café, appuyez sur la touche pour un ou deux cafés et diminuez la pression en suivant les étapes de la section "Eau chaude" de ce manuel. En libérant de l'eau, on abaisse la température et on relâche la pression.

MISE EN PLACE DE LA QUANTITÉ DE CAFÉ

- Vous pouvez régler la durée des deux fonctions électroniques de cette cafetière (faire un café ou deux cafés).
- Pour ce faire, préparez la machine selon la fonction que vous souhaitez mettre en place.
- Appuyez sur la touche de la fonction que vous souhaitez configurer pendant 3 secondes.
- Vous verrez que les autres boutons cessent de s'allumer.
- N'oubliez pas de placer un gobelet sous le porte filtre.
- Appuyez à nouveau sur la touche pour lancer le réglage.
- Lorsque vous atteignez la durée souhaitée, appuyez à nouveau sur pour enregistrer le montant.

FONCTION DE VEILLE

- Afin d'économiser de l'énergie, l'appareil se met en veille après 25 minutes si l'utilisateur ne l'utilise pas.
- Lorsque l'appareil entre en mode veille, la touche Marche/Arrêt continue de clignoter lentement.
- Si vous souhaitez redémarrer la machine, vous pouvez appuyer sur l'un des trois boutons.

UNE FOIS L'UTILISATION DE L'APPAREIL TERMINÉE

- Allumez l'appareil à l'aide de l'interrupteur marche/arrêt. Débranchez l'appareil du réseau électrique.
- Laissez l'appareil refroidir.
- Nettoyez l'appareil.

PROTECTION THERMIQUE DE SÉCURITÉ

- L'appareil est équipé d'un dispositif de sécurité qui le protège contre la surchauffe.
- Lorsque l'appareil s'allume et s'éteint de manière répétée, pour des raisons autres que le contrôle du thermostat, vérifiez qu'il n'y a pas d'obstacles qui empêchent l'entrée ou l'expulsion correcte de l'air.
- Si l'appareil s'éteint et ne se rallume pas, débranchez-le et attendez environ 15 minutes avant de le rebrancher. Si la machine ne redémarre pas, demandez une assistance technique autorisée.

NETTOYAGE

- Débranchez l'appareil et laissez-le refroidir avant d'entreprendre toute opération de nettoyage.
- Nettoyez l'appareil à l'aide d'un chiffon humide additionné de quelques gouttes de liquide vaisselle, puis séchez-le.
- N'utilisez pas de solvants ou de produits au pH acide ou basique, tels que l'eau de Javel, ni de produits abrasifs pour nettoyer l'appareil.

- Ne laissez pas l'eau ou tout autre liquide pénétrer dans les orifices d'aération afin d'éviter d'endommager les parties internes de l'appareil.

- Les pièces suivantes peuvent être lavées au lave-vaisselle (en utilisant un programme de nettoyage doux) ou à l'eau chaude savonneuse :

- Cuillère doseuse
- Réservoir d'eau
- Couverture du réservoir d'eau
- Filtres
- Plateau d'égouttage
- Grille plateau

- La position d'égouttage/de séchage des articles lavables au lave-vaisselle ou dans l'évier doit permettre à l'eau de s'écouler facilement.

- Séchez ensuite toutes les pièces avant de les assembler et de les stocker.

COMMENT TRAITER LES INCRUSTATIONS DE CALCAIRE

- Pour que l'appareil fonctionne correctement, il doit être exempt d'incrustations de calcaire ou de magnésium dues à l'utilisation d'eau dure.
- Pour éviter ce genre de problème, nous recommandons l'utilisation d'une eau faiblement minéralisée.
- Cette cafetière doit être détartrée après 500 cycles. Cette durée est donnée à titre indicatif et nous recommandons ce qui suit :

- Toutes les 10 semaines si l'eau est "très dure".
- Toutes les 17 semaines si l'eau est "dure".

- Les solutions maison ne sont pas recommandées pour détartrer cet appareil, comme l'utilisation de vinaigre.

GARANTIE

- Toute utilisation inappropriée ou non conforme aux instructions d'utilisation annule la garantie et la responsabilité du fabricant.

ANOMALIES ET RÉPARATION

- En cas de panne, remettez l'appareil à un service d'assistance technique agréé. Il est dangereux de tenter de procéder aux réparations ou de démonter l'appareil soi-même.

GARANTIE ET ASSISTANCE TECHNIQUE

Ce produit bénéficie de la reconnaissance et de la protection de la garantie légale conformément à la législation en vigueur. Pour faire valoir vos droits ou intérêts, vous devez vous adresser à l'un de nos services officiels d'assistance technique.

Vous pouvez trouver l'agence la plus proche en accédant au lien suivant : <https://www.blackanddecker.eu/>

Vous pouvez également demander des informations connexes en nous contactant.

Vous pouvez télécharger ce manuel d'instructions et ses mises à jour à l'adresse suivante : <https://www.blackanddecker.eu/>

POUR LES VERSIONS UE DU PRODUIT ET/OU EN FONCTION DE LA LÉGISLATION DU PAYS D'INSTALLATION :

ÉCOLOGIE ET RECYCLAGE DU PRODUIT

- Les matériaux constitutifs de l'emballage de cet appareil font partie d'un programme de collecte, de tri et de recyclage. Si vous souhaitez vous débarrasser du produit, merci de bien vouloir utiliser les conteneurs publics appropriés à chaque type de matériau.
- Le produit ne contient pas de substances concentrées susceptibles d'être considérées comme nuisibles à l'environnement.



Ce symbole signifie que si vous souhaitez vous débarrasser de l'appareil, en fin de vie utile, celui-ci devra être déposé, en prenant les mesures adaptées, à un centre agréé pour la collecte et le tri des déchets d'équipements électriques et électroniques (DEEE).

- Cet appareil est certifié conforme à la directive 2014/35/EU de basse tension, de même qu'à la directive 2014/30/EU en matière de compatibilité électromagnétique, à la directive 2011/65/EU relative à la limitation de l'utilisation de certaines substances dangereuses dans les équipements électriques et électroniques et à la directive 2009/125/EC pour la fixation d'exigences en matière d'écoconception applicable aux produits liés à l'énergie.
- Informations concernant les substances extrêmement préoccupantes (SVHC) conformément au règlement 1907/2006/CE (REACH). Ce produit contient les substances suivantes SVHC :
 - Plomb (Pb), numéro CAS : 7439-92-1
 - Cadmium (Cd), numéro CAS : 7440-43-9

Black & Decker® et BLACK+DECKER™ et les logos Black & Decker® et BLACK+DECKER™ sont des marques déposées de The Black & Decker® Corporation et sont utilisées sous licence. Tous droits réservés. Importé et distribué par ENGINEERING AND TECHNOLOGY FOR LIFE, S.L. Avda. Barcelona s/n Oliana, 25790, Spain

**ESPRESSO-KAFFEEMASCHINE
BXCO1350E**

Sehr geehrte Kunden,

Vielen Dank für den Kauf eines Black+Decker
Markenprodukts.

Die Technologie, das Design und die Funktionalität dieses
Produkts, das die anspruchsvollsten Qualitätsnormen
erfüllt, werden Sie über viele Jahre zufriedenstellen.

**SICHERHEITSHINWEISE UND
WARNUNGEN**

- Lesen Sie diese Anleitung sorgfältig durch, bevor Sie das Gerät einschalten, und bewahren Sie zum Nachschlagen auf. Werden die Hinweise dieser Bedienungsanleitung nicht beachtet und eingehalten, kann es zu Unfällen kommen.
- Personen, denen es an Wissen im Umgang mit dem Gerät mangelt, geistig behinderte Personen oder Kinder ab 8 Jahren dürfen das Gerät nur unter Aufsicht oder Anleitung über den sicheren Gebrauch des Gerätes, so dass sie die Gefahren, die von diesem Gerät ausgehen, verstehen, benutzen. Kinder dürfen das Gerät nicht reinigen oder warten, es sei denn, sie sind älter als 8 Jahre und werden von einem Erwachsenen beaufsichtigt. Das Gerät und sein Netzanschluss dürfen nicht in die Hände von Kindern unter 8 Jahren kommen.
- Dieses Gerät kann von Personen mit eingeschränkten körperlichen, sensorischen oder geistigen Fähigkeiten oder Mangel an Erfahrung und Wissen verwendet werden, wenn

sie beaufsichtigt oder bezüglich der sicheren Verwendung des Geräts unterwiesen wurden und die damit verbundenen Gefahren verstehen.

- Kinder müssen beaufsichtigt werden, damit sie nicht mit dem Gerät spielen.
- Reinigen Sie alle Teile des Geräts, die mit Kaffee oder Wasser in Berührung kommen, wie im Abschnitt "Reinigung" angegeben, bevor Sie es verwenden.
- Dieses Gerät darf nicht in Wasser oder andere Flüssigkeiten getaucht werden.
- Vermeiden Sie Verschüttungen auf dem Stecker.
- Die Oberfläche des Heizelements unterliegt nach dem Gebrauch einer Restwärme.
- **ACHTUNG:** Die falsche Verwendung dieses Geräts kann zu Verletzungen führen. Gehen Sie bei der Reinigung vorsichtig vor.
- Die Kaffeemaschine darf nicht in einem Schrank stehen, wenn sie in Betrieb ist.
- Wenn das Netzkabel beschädigt ist, muss es aus Sicherheitsgründen vom Kundendienst des Herstellers oder einem entsprechenden Fachmann ersetzt werden.
- Dieses Gerät ist für die Verwendung in Haushalten und ähnlichen Bereichen vorgesehen, wie z.B.:
 - Personalküchen in Geschäften, Büros und anderen Arbeitsumgebungen;

- Bauernhäuser;
- von Kunden in Hotels, Motels und anderen Wohnbereichen;
- Bed & Breakfast-Umgebungen

- Vergewissern Sie sich, dass die Spannung auf dem Typenschild mit der Netzspannung übereinstimmt, bevor Sie das Gerät an das Stromnetz anschließen.
- Schließen Sie das Gerät an eine Netzsteckdose mit einer Nennleistung von mindestens 10 Ampere an.
- Der Stecker des Geräts muss mit dem Steckdosentyp des Stromanschlusses übereinstimmen. Der Gerätestecker darf unter keinen Umständen modifiziert werden. Keine Adapter für den Stecker verwenden.
- Verwenden Sie das Gerät nicht, wenn das Netzkabel oder der Stecker beschädigt ist.
- Ziehen Sie nicht am Versorgungskabel. Benutzen Sie das elektrische Kabel nicht zum Anheben oder Transportieren des Geräts.
- Den Stecker nicht am Kabel aus der Dose ziehen.
- Überprüfen Sie den Zustand des Versorgungskabels. Wenn sie beschädigt ist, besteht die Gefahr eines Stromschlags.
- Sollte ein Teil der Geräteverkleidung beschädigt sein, ist die Stromzufuhr umgehend zu unterbrechen, um einen möglichen elektrischen Schlag zu vermeiden.
- Das Gerät nicht benutzen, wenn es heruntergefallen ist, sichtbare Schäden aufweist oder undicht ist.
- Berühren Sie den Stecker nicht mit feuchten Händen.
- Das Gerät muss auf einer ebenen, stabilen Fläche verwendet und aufgestellt werden.
- Das Gerät nicht auf heiße Oberflächen sowie Kochplatten, Gasbrenner, Ofen oder Ähnliches stellen.
- Achten Sie darauf, das Gerät nicht unfreiwillig zu starten.
- Das Gerät niemals Regen oder Feuchtigkeit aussetzen. Wasser, das eventuell in das Gerät gelangt, erhöht die Elektroschockgefahr.

VERWENDUNG UND PFLEGE

- Rollen Sie das Netzkabel des Geräts vor jedem Gebrauch vollständig ab.
- Verwenden Sie das Gerät nicht, wenn das Zubehör nicht ordnungsgemäß montiert ist.
- Benutzen Sie das Gerät nicht, wenn das daran befestigte Zubehör defekt ist. Ersetzen Sie sie sofort.
- Schalten Sie das Gerät nicht ohne Wasser ein.
- Verwenden Sie das Gerät nicht, wenn der Ein/Aus-Schalter nicht funktioniert.

- Drehen Sie das Gerät nicht um, während es in Betrieb oder an das Stromnetz angeschlossen ist.
- Beachten Sie die MAX- und MIN-Werte.
- Trennen Sie das Gerät vom Stromnetz, wenn es nicht benutzt wird und bevor Sie es reinigen.
- Bewahren Sie dieses Gerät außerhalb der Reichweite von Kindern und/oder Personen mit körperlichen, sensorischen oder geistigen Einschränkungen oder mangelnder Erfahrung und Kenntnis auf.
- Verwenden Sie nur Wasser mit dem Gerät.
- Es wird empfohlen, für den menschlichen Verzehr geeignetes abgefülltes Mineralwasser zu verwenden.
- Während der Kaffeezubereitung darf der Filterhalter nicht entfernt werden, da er zu diesem Zeitpunkt unter Druck steht.

BESCHREIBUNG

A	Tasten zur Steuerung
A1	Ein/Aus-Taste
A2	1-Tassen-Taste
A3	2-Tassen-Taste
A4	Taste für die Dampfheizung
B	Dampfknopf
C	Wassertankdeckel
D	Wasserbehälter
E	Dampfleitung
F	Dampfrohrgriff
G	Filterhalter
H	Filter
H1	Kaffeepulverfilter (1 Tasse)
H2	Kaffeepulverfilter (2 Tassen)
I	Tropfschale
J	Tropfschalengriffs
K	Kaffeemesslöffel

Sollte Ihr Gerätemodell nicht über das oben beschriebene Zubehör verfügen, können Sie dieses auch separat beim technischen Kundendienst erwerben.

ANWEISUNGEN FÜR DEN GEBRAUCH

VOR DEM GEBRAUCH

- Vergewissern Sie sich, dass alle Verpackungen des Produkts entfernt worden sind.

- Bitte lesen Sie die Broschüre "Sicherheitshinweise und Warnungen" vor dem ersten Gebrauch sorgfältig durch.
- Wir empfehlen, das Produkt vor dem ersten Gebrauch nur mit Wasser zu reinigen.
- Reinigen Sie vor dem ersten Gebrauch des Geräts die Teile, die mit Kaffee und Wasser in Berührung kommen, wie im Abschnitt "Reinigung" beschrieben.

BEFÜLLUNG MIT WASSER

- Sie müssen den Wasserbehälter füllen, bevor Sie das Gerät einschalten.
- Nehmen Sie den Wasserbehälter von seinem Platz weg.
- Öffnen Sie den Deckel.
- Füllen Sie das Wasserbehälter und achten Sie dabei auf den MAX- und MIN-Stand.
- Schließen Sie den Deckel.
- Setzen Sie den Wasserbehälter wieder in sein Gehäuse ein und achten Sie darauf, dass er richtig eingesetzt ist.
- HINWEIS: Es ist nicht zwingend erforderlich, den Wassertank zu entfernen. Wenn Sie es dennoch tun, achten Sie darauf, dass es nach dem Befüllen richtig platziert wird.

FÜLLEN MIT KAFFEE

- Entfernen Sie den Filterhalter, indem Sie ihn im Uhrzeigersinn drehen.
- Geben Sie mit Hilfe des Kaffeemesslöffel das für Espressomaschinen geeignete Kaffeepulver in den Filter. 1 Löffel für 1 Tasse, 2 Löffel für 2 Tassen. (6-7 g pro zubereitender Tasse).
- Drücken Sie dann den gemahlene Kaffee mit der Rückseite des Löffels leicht an.
- Setzen Sie den Filterhalter wieder in das Gerät ein.
- HINWEIS: Prüfen Sie, ob der Filterhalter nach dem Einsetzen richtig sitzt.

USE

- Schließen Sie das Gerät an das Stromnetz an.
- Schalten Sie die Taste Ein/Aus ein. Der Leuchtring auf den Tasten beginnt zu blinken und zeigt damit an, dass die Kaffeemaschine vorgeheizt wird.
- Sobald sie aufhören zu blinken, geht die Kaffeemaschine in den Heizmodus über und ist bereit, den gewünschten Kaffee zu brühen.

EINEN KAFFEE KOCHEN

- Befolgen Sie die zuvor angegebenen Schritte für eine Tasse Kaffeepulver.
- Sobald der Filterhalter an seinem Platz ist, drücken Sie die 1-Tassen-Taste.

- Die Kaffeemaschine schaltet sich automatisch ab, sobald der Kaffee aufgebrüht ist.

ZUBEREITUNG VON ZWEI KAFFEES

- Befolgen Sie die zuvor angegebenen Schritte, entsprechend zwei Tassen Kaffeepulverfüllung.
- Sobald der Filterhalter an seinem Platz ist, drücken Sie die 2-Tassen-Taste.
- Die Kaffeemaschine schaltet sich automatisch ab, wenn beide Kaffeessorten aufgebrüht sind.

HEISSES WASSER

- Stellen Sie eine Tasse aus der beheizten Position unter das Dampfrohr.
- Öffnen Sie den Dampfdruckknopf, indem Sie ihn gegen den Uhrzeigersinn drehen. Es kommt heißes Wasser heraus.
- Zum Abschluss schließen Sie das Wassersystem, indem Sie den Drehknopf zurückdrehen.

MILCH AUFSCHÄUMEN

- Drücken Sie in der beheizten Position die Dampftaste. Sie beginnt zu blinken.
- Sobald die Taste nicht mehr blinkt, ist das Gerät bereit, Trockendampf zu erzeugen.
- Stellen Sie eine Tasse mit Milch unter das Dampfrohr und führen Sie das Dampfrohr so weit ein, dass sich der Auslass fast am Boden der Tasse befindet.
- Öffnen Sie den Dampfdruckknopf, indem Sie ihn gegen den Uhrzeigersinn drehen. Das Geräusch des austretenden Dampfes ist zu hören.
- Stellen Sie die Temperatur ein, indem Sie die Tasse berühren, und schließen Sie den Dampfknopf, wenn Sie sehen, dass sie fertig ist.
- HINWEIS: Wenn Sie nach dem Dampfen zur Kaffeeextraktion zurückkehren möchten, drücken Sie die Taste für einen oder zwei Kaffees und verringern Sie den Druck, indem Sie die Schritte im Abschnitt "Heißwasser" in dieser Anleitung befolgen. Wenn Sie etwas Wasser ablassen, wird die Temperatur gesenkt und der Druck verringert.

EINSTELLEN DER KAFFEEMENGE

- Sie können die Dauer für die beiden elektronischen Funktionen dieser Kaffeemaschine einstellen (einen Kaffee oder zwei Kaffees zubereiten).
- Bereiten Sie dazu das Gerät entsprechend der Funktion vor, die Sie einrichten möchten.
- Drücken Sie die Taste der Funktion, die Sie einrichten möchten, 3 Sekunden lang.

- Sie werden sehen, dass die anderen Tasten nicht mehr leuchten.
- Denken Sie daran, einen Becher unter den Filterhalter zu stellen.
- Drücken Sie die Taste erneut, um die Einstellung zu starten.
- Wenn Sie die gewünschte Dauer erreicht haben, drücken Sie erneut, um den Betrag aufzuzeichnen.

STAND-BY-FUNKTION

- Um Energie zu sparen, schaltet das Gerät nach 25 Minuten in den Stand-by-Modus, wenn der Benutzer es nicht benutzt.
- Wenn das Gerät in den Standby-Modus wechselt, blinkt die Ein/Aus-Taste langsam.
- Wenn Sie das Gerät neu starten wollen, können Sie eine der drei Tasten drücken.

WENN SIE DAS GERÄT NICHT MEHR BENUTZEN

- Schalten Sie das Gerät mit dem Ein/Aus-Schalter ein. Ziehen Sie den Netzstecker des Geräts aus der Steckdose.
- Lassen Sie das Gerät abkühlen.
- Reinigen Sie das Gerät.

SICHERHEITSWÄRMEISOLIERUNG

- Das Gerät ist mit einer Sicherheitsvorrichtung ausgestattet, die das Gerät vor Überhitzung schützt.
- Wenn sich das Gerät aus anderen Gründen als der Thermostatsteuerung wiederholt ein- und ausschaltet, prüfen Sie, ob es keine Hindernisse gibt, die den korrekten Lufteintritt oder -austritt behindern.
- Wenn sich das Gerät ausschaltet und nicht wieder einschaltet, trennen Sie es vom Stromnetz und warten Sie etwa 15 Minuten, bevor Sie es wieder anschließen. Wenn die Maschine nicht wieder anspringt, wenden Sie sich an einen autorisierten Techniker.

REINIGUNG

- Trennen Sie das Gerät vom Stromnetz und lassen Sie es abkühlen, bevor Sie mit der Reinigung beginnen.
- Reinigen Sie das Gerät mit einem feuchten Tuch und ein paar Tropfen Spülmittel und trocknen Sie es dann ab.
- Verwenden Sie zur Reinigung des Geräts keine Lösungsmittel oder Produkte mit saurem oder basischem pH-Wert, wie z. B. Bleichmittel, oder Scheuermittel.
- Lassen Sie kein Wasser oder andere Flüssigkeiten in die Lüftungsschlitze eindringen, um Schäden an den Innenteilen des Geräts zu vermeiden.

- Die folgenden Teile können in der Spülmaschine (mit einem sanften Reinigungsprogramm) oder in heißer Seifenlauge gereinigt werden:

- Kaffeemesslöffel
- Wasserbehälter
- Wassertankdeckel
- Filter
- Tropfschale
- Tropfschalengriffs

- Die Position zum Abtropfen/Trocknen der in der Geschirrspülmaschine oder im Spülbecken zu waschenden Gegenstände muss ein leichtes Abfließen des Wassers ermöglichen.
- Trocknen Sie dann alle Teile vor dem Zusammenbau und der Lagerung.

WIE MAN MIT KALKVERKRUSTUNGEN UMGEHET

- Damit das Gerät einwandfrei funktioniert, muss es frei von Kalk- oder Magnesiumverkrustungen sein, die durch die Verwendung von hartem Wasser entstehen.
- Um diese Art von Problemen zu vermeiden, empfehlen wir die Verwendung von Wasser mit geringer Mineralisierung.
- Diese Kaffeemaschine sollte nach 500 Zyklen entkalkt werden. Diese Zeit ist ein Richtwert, und wir empfehlen Folgendes:
 - Alle 10 Wochen, wenn das Wasser "sehr hart" ist.
 - Alle 17 Wochen, wenn das Wasser "hart" ist.
- Hausgemachte Lösungen, wie z. B. die Verwendung von Essig, werden für die Entkalkung dieses Geräts nicht empfohlen.

BETRIEB

- Unsachgemäße Verwendung oder Nichteinhaltung der Gebrauchsanweisung kann Gefahren zur Folge haben und führt zum Erlöschen der Garantieansprüche sowie der Haftung des Herstellers.

STÖRUNGEN UND REPARATUR

- Bei Schäden und Störungen bringen Sie das Gerät zu einem zugelassenen Technischen Kundendienst. Versuchen Sie nicht, das Gerät selbst auseinanderzubauen und zu reparieren. Das könnte Gefahren zur Folge haben.

GARANTIE UND TECHNISCHE UNTERSTÜTZUNG

Dieses Produkt genießt die Anerkennung und den Schutz der gesetzlichen Garantie in Übereinstimmung mit der geltenden Gesetzgebung. Um Ihre Rechte oder Interessen durchzusetzen, müssen Sie sich an einen unserer offiziellen technischen Hilfsdienste wenden.

Den nächstgelegenen finden Sie unter folgendem Link:
<https://www.blackanddecker.eu/>

Sie können auch verwandte Informationen anfordern, indem Sie uns kontaktieren.

Sie können diese Gebrauchsanweisung und ihre Aktualisierungen unter <https://www.blackanddecker.eu/> herunterladen.

FÜR DIE EU-AUSFÜHRUNGEN DES PRODUKTS UND/ODER FÜR LÄNDER, IN DENEN DIESE VORSCHRIFTEN ANZUWENDEN SIND ÖKOLOGIE UND RECYCLING DES PRODUKTS

- Die zur Herstellung des Verpackungsmaterials dieses Geräts verwendeten Materialien sind im Sammel-, Klassifizierungs- und Recyclingsystem integriert. Wenn Sie es entsorgen möchten, können Sie die öffentlichen Container für die einzelnen Materialarten verwenden.
- Das Produkt ist frei von umweltschädlichen Konzentrationen von Substanzen.



Dieses Symbol weist darauf hin, dass das Produkt, wenn Sie es am Ende seiner Lebensdauer entsorgen wollen, in geeigneter Weise bei einer zugelassenen Entsorgungsstelle abzugeben ist, um die getrennte Sammlung von Elektro- und Elektronikgeräte-Abfall (WEEE)

sicherzustellen.

- Dieses Gerät erfüllt die Richtlinie 2014/35/EU über Niederspannung, die Richtlinie 2014/30/EU über elektromagnetische Verträglichkeit, die Richtlinie 2011/65/EU zur Beschränkung der Verwendung bestimmter gefährlicher Stoffe in Elektro- und Elektronikgeräten und die Richtlinie 2009/125/EC über die Anforderungen an die umweltgerechte Gestaltung energiebetriebener Produkte.
- Informationen über besonders besorgniserregende Stoffe (SVHC) gemäß der Verordnung 1907/2006/EG (REACH). Dieses Produkt enthält die folgenden SVHC-Stoffe:

- Blei (Pb), CAS-Nummer: 7439-92-1
- Cadmium (Cd), CAS-Nummer: 7440-43-9

Black & Decker® und BLACK+DECKER™ sowie die Black & Decker® und BLACK+DECKER™ Logos sind eingetragene Marken der The Black & Decker®

Corporation und werden unter Lizenz verwendet. Alle Rechte vorbehalten. Importiert und vertrieben von ENGINEERING AND TECHNOLOGY FOR LIFE, S.L. Avda. Barcelona s/n Oliana, 25790, Spain

**MACCHINA PER CAFFÈ ESPRESSO
BXCO1350E**

Egregio cliente,

Grazie per aver scelto di acquistare un prodotto del marchio Black+Decker.

La sua tecnologia, il suo design e la sua funzionalità, oltre al fatto di aver superato le più rigorose norme di qualità, le assicureranno una totale e durevole soddisfazione.

**CONSIGLI E AVVERTENZE DI
SICUREZZA**

- Prima di accendere l'apparecchio, leggere attentamente le presenti istruzioni e conservarle per eventuali riferimenti futuri. La mancata osservanza delle presenti istruzioni può essere causa di incidenti.
- Questo apparecchio può essere utilizzato da persone non familiarizzate con il suo uso, da persone disabili o da bambini di età superiore a 8 anni solo nel caso in cui vengano sorvegliati, o siano stati informati su come usare l'apparecchio in sicurezza e abbiano capito i potenziali pericoli. I bambini di età superiore a 8 anni possono eseguire operazioni di pulizia o di manutenzione dell'apparecchio solo se sorvegliati da un adulto. Tenere l'apparecchio e il suo cavo fuori dalla portata dei bambini di età inferiore agli 8 anni.
- Questo apparato può essere utilizzato da persone che non ne conoscono il funzionamento, persone disabili, ma esclusivamente sotto la sorveglianza di un adulto o nel caso abbiano ricevuto le dovute istruzioni per utilizzarlo in completa sicurezza e ne comprendano i rischi.
- Assicurarsi che i bambini non giochino con l'apparecchio.
- Prima dell'uso, pulire tutte le parti del prodotto che verranno a contatto con il caffè o l'acqua, come indicato nella sezione "Pulizia".
- Questo apparecchio non deve essere immerso in acqua o in altri liquidi.
- Evitare di versare sul connettore.
- La superficie dell'elemento riscaldante è soggetta a calore residuo dopo l'uso.
- **PRECAUZIONI:** L'uso improprio di questo apparecchio può portare a potenziali lesioni. Si dovrà prestare attenzione durante la pulizia.
- La macchina da caffè non deve essere collocata in un mobile quando è in uso.
- Se il cavo di alimentazione è danneggiato farlo sostituire dal produttore, da un servizio di assistenza post-vendita o da personale qualificato per evitare pericoli.
- Questo apparecchio è destinato ad essere utilizzato in applicazioni domestiche e simili, come ad esempio:
 - aree di cucina per il personale in negozi, uffici e altri ambienti di lavoro;
 - cascine;
 - dai clienti di alberghi, motel e altri ambienti di tipo residenziale;

- ambienti di tipo bed and breakfast

- Prima di collegare l'apparecchio alla rete elettrica, verificare che il voltaggio indicato sulla targhetta caratteristiche e il selettore di voltaggio corrispondano al voltaggio della rete.
- Collegli l'apparecchio a una presa di corrente di almeno 10 ampere.
- Verificare che la presa sia adatta alla spina dell'apparecchio. Non apportare alcuna modifica alla spina. Non usare adattatori.
- Non utilizzare l'apparecchio se il cavo di alimentazione o la spina sono danneggiati.
- Non tiri il cavo di alimentazione. Non usare mai il cavo elettrico per sollevare, trasportare o scollegare l'apparecchio.
- Non avvolgere il cavo di alimentazione attorno all'apparecchio.
- Controlli lo stato del cavo di alimentazione. Se è danneggiato, aumenta il rischio di scosse elettriche.
- Se l'involucro dell'apparecchio si rompe, scolleghi immediatamente l'apparecchio dalla rete elettrica per evitare la possibilità di una scossa elettrica.
- Non usare l'apparecchio dopo una caduta, se presenta danni visibili o in presenza di qualsiasi perdita.
- Non toccare mai la spina con le mani bagnate.
- L'apparecchio deve essere utilizzato e posizionato su una superficie piana e stabile.
- Non posizionare l'apparecchio su superfici calde, come piastre di cottura, fornelli a gas, forni o simili.
- Faccia attenzione a non avviare involontariamente l'apparecchio.
- Non lasciare l'apparecchio sotto la pioggia o in luoghi umidi. Le infiltrazioni d'acqua aumentano il rischio di scariche elettriche.

USO E CURA

- Srotolare completamente il cavo di alimentazione dell'apparecchio prima di ogni utilizzo.
- Non utilizzare l'apparecchio se gli accessori non sono montati correttamente.
- Non utilizzare l'apparecchio se gli accessori ad esso collegati sono difettosi. Sostituirli immediatamente.
- Non accendere l'apparecchio senza acqua.
- Non utilizzare l'apparecchio se l'interruttore di accensione/spegnimento non funziona.
- Non capovolgere l'apparecchio mentre è in uso o collegato alla rete elettrica.
- Rispettare i livelli MAX e MIN.

- Scollegare l'apparecchio dalla rete elettrica quando non viene utilizzato e prima di effettuare qualsiasi operazione di pulizia.
- Conservare questo apparecchio fuori dalla portata dei bambini e/o di persone con problemi fisici, sensoriali o mentali ridotti o con mancanze di esperienza e conoscenza.
- Utilizzare solo acqua con l'apparecchio.
- Si raccomanda l'uso di acqua minerale in bottiglia adatta al consumo umano.
- Durante l'erogazione del caffè, non rimuovere il portafiltro, poiché in quel momento è sotto pressione.

DESCRIZIONE

A	Pulsanti di controllo
A1	Pulsante di accensione/spegnimento
A2	Pulsante a 1 tazza
A3	Pulsante a 2 tazze
A4	Pulsante di riscaldamento a vapore
B	Comando vapore
C	Coperchio del serbatoio dell'acqua
D	Serbatoio dell'acqua
E	Tube del vapore
F	Maniglia del tubo del vapore
G	Portafiltri
H	Filtro
H1	Filtro per caffè macinato (1 tazza)
H2	Filtro per caffè macinato (2 tazze)
I	Vassoio di raccolta
J	Griglia a vassoio
K	Cucchiaino di misurazione

Se il modello del vostro apparecchio non dispone degli accessori sopra descritti, questi possono essere acquistati separatamente presso il Servizio di assistenza tecnica.

ISTRUZIONI PER L'USO

PRIMA DELL'USO

- Assicurarsi che tutti gli imballaggi del prodotto siano stati rimossi.
- Leggere attentamente il libretto "Avvertenze e consigli di sicurezza" prima del primo utilizzo.
- Prima di utilizzare il prodotto per la prima volta, si consiglia di farlo funzionare solo con acqua.

- Prima di utilizzare il prodotto per la prima volta, pulire le parti che entrano in contatto con il caffè e l'acqua come descritto nella sezione "Pulizia".

RIEMPIMENTO CON ACQUA

- È necessario riempire lo scomparto dell'acqua prima di accendere l'apparecchio.
- Estrarre il serbatoio dell'acqua dalla sua sede.
- Aprire il coperchio.
- Riempire il recipiente facendo attenzione ai livelli MAX e MIN.
- Chiudere il coperchio.
- Rimettere il serbatoio dell'acqua nel suo alloggiamento, assicurandosi che sia inserito correttamente.
- **NOTA:** Non è obbligatorio rimuovere il serbatoio dell'acqua. Tuttavia, se viene fatto, assicuratevi che sia posizionato correttamente dopo il riempimento.

RIEMPIMENTO CON CAFFÈ

- Rimuovere il portafiltro, ruotandolo in senso orario.
- Con l'aiuto del cucchiaino dosatore, inserire nel filtro la polvere di caffè compatibile con le macchine da caffè espresso. 1 cucchiaino per 1 tazza, 2 cucchiaini per 2 tazze. (6-7 g per tazza da preparare).
- Quindi, premere leggermente il caffè macinato con il dorso del cucchiaino.
- Inserire nuovamente il portafiltro nell'apparecchio.
- **NOTA:** Verificare che il portafiltro sia montato correttamente dopo il caricamento.

UTILIZZO

- Collegare l'apparecchio alla rete elettrica.
- Accendere il pulsante di accensione/spengimento. L'anello luminoso sui pulsanti inizia a lampeggiare, indicando che la macchina da caffè si sta preriscaldando.
- Quando smettono di lampeggiare, la macchina da caffè entra in posizione di riscaldamento ed è pronta a erogare il caffè desiderato.

PREPARARE UN CAFFÈ

- Seguire i passaggi indicati in precedenza, per una tazza di caffè macinato.
- Una volta posizionato il portafiltro, premere il pulsante 1 tazza.
- La macchina da caffè si arresta automaticamente una volta terminata l'erogazione del caffè.

PREPARARE DUE CAFFÈ

- Seguire i passaggi sopra indicati in base al riempimento di due tazze di caffè macinato.

- Una volta posizionato il portafiltro, premere il pulsante delle 2 tazze.
- La macchina da caffè si arresta automaticamente una volta terminata l'erogazione di entrambi i caffè.

ACQUA CALDA

- Dalla posizione riscaldata, posizionare una tazza sotto il tubo del vapore.
- Aprire il comando vapore, ruotandolo in senso antiorario. L'acqua calda inizierà a fuoriuscire.
- Per terminare, chiudere l'impianto idrico ruotando la manopola in senso inverso.

SCHIUMATURA DEL LATTE

- Dalla posizione riscaldata, premere il pulsante del vapore. Inizierà a lampeggiare.
- Quando il pulsante smette di lampeggiare, la macchina è pronta a produrre vapore secco.
- Porre una tazza con il latte sotto il tubo del vapore e introdurre il tubo del vapore fino a quando l'uscita è quasi sul fondo della tazza.
- Aprire il comando vapore, ruotandolo in senso antiorario. Si sentirà il rumore del vapore che esce.
- Regolare la temperatura toccando la tazza e, quando la si ritiene pronta, chiudere il comando vapore.
- **NOTA:** Dopo la cottura a vapore, se si desidera tornare all'estrazione del caffè, premere il pulsante per uno o due caffè e abbassare la pressione, seguendo le indicazioni riportate nella sezione "Acqua calda" di questo manuale. Rilasciando un po' d'acqua si abbassa la temperatura e si alleggerisce la pressione.

IMPOSTAZIONE DELLA QUANTITÀ DI CAFFÈ

- È possibile impostare la durata delle due funzioni elettroniche di questa caffettiera (preparare un caffè o due caffè).
- A tal fine, preparare la macchina in base alla funzione che si desidera impostare.
- Premere per 3 secondi il pulsante della funzione che si desidera impostare.
- Gli altri pulsanti smettono di illuminarsi.
- Ricordarsi di posizionare una tazza sotto il portafiltro.
- Premere nuovamente il pulsante per avviare l'impostazione.
- Quando si raggiunge la durata desiderata, premere nuovamente per registrare l'importo.

FUNZIONE STAND-BY

- Per risparmiare energia, l'apparecchio passa in stand-by dopo 25 minuti se l'utente non lo utilizza.

- Quando l'apparecchio entra in stand-by, il pulsante On/Off continua a lampeggiare lentamente.
- Se si desidera riavviare la macchina, è possibile premere uno dei tre pulsanti.

AL TERMINE DELL'UTILIZZO DELL'APPARECCHIO

- Accendere l'apparecchio utilizzando l'interruttore on/off. Scollegare l'apparecchio dalla rete elettrica.
- Lasciare raffreddare l'apparecchio.
- Pulire l'apparecchio.

PROTETTORE TERMICO DI SICUREZZA

- L'apparecchio è dotato di un dispositivo di sicurezza che lo protegge dal surriscaldamento.
- Quando l'apparecchio si accende e si spegne ripetutamente, per motivi diversi dal controllo del termostato, verificare che non vi siano ostacoli che impediscano il corretto ingresso o l'espulsione dell'aria.
- Se l'apparecchio si spegne e non si riaccende, scollegarlo dalla rete elettrica e attendere circa 15 minuti prima di ricollegarlo. Se la macchina non riparte, rivolgersi all'assistenza tecnica autorizzata.

PULIZIA

- Scollegare l'apparecchio dalla rete elettrica e lasciarlo raffreddare prima di effettuare qualsiasi operazione di pulizia.
- Pulire l'apparecchiatura con un panno umido e qualche goccia di detersivo, quindi asciugarla.
- Per la pulizia dell'apparecchio non utilizzare solventi o prodotti con un pH acido o basico, come la candeggina, o prodotti abrasivi.
- Per evitare di danneggiare le parti interne dell'apparecchio, non far entrare acqua o altri liquidi nelle bocchette di aerazione.
- I seguenti pezzi possono essere lavati in lavastoviglie (con un programma di lavaggio delicato) o con acqua calda e sapone:
 - Cucchiaino di misurazione
 - Serbatoio dell'acqua
 - Coperchio del serbatoio dell'acqua
 - Filtri
 - Vassoio di raccolta
 - Griglia a vassoio
- La posizione di scarico/asciugatura degli articoli lavabili in lavastoviglie o nel lavello deve consentire all'acqua di defluire facilmente.
- Asciugare quindi tutte le parti prima del montaggio e dello stoccaggio.

COME AFFRONTARE LE INCROSTAZIONI DI CALCARE

- Affinché l'apparecchio funzioni correttamente, deve essere mantenuto privo di incrostazioni di calcare o magnesio causate dall'uso di acqua dura.
- Per evitare questo tipo di problema, si consiglia di utilizzare acqua a bassa mineralizzazione.
- Questa macchina da caffè deve essere decalcificata dopo 500 cicli. Questo tempo è una linea guida e si raccomanda quanto segue:
 - Ogni 10 settimane se l'acqua è "molto dura".
 - Ogni 17 settimane se l'acqua è "dura".

- Per la decalcificazione di questo apparecchio non sono consigliate soluzioni casalinghe, come l'uso di aceto.

SERVIZIO

- Il produttore invalida la garanzia e declina ogni responsabilità in caso di uso inappropriato dell'apparecchio o non conforme alle istruzioni d'uso.

ANOMALIE E RIPARAZIONI

- In caso di guasto, rivolgersi ad un Centro d'Assistenza Tecnica autorizzato. Non tentare di smontare o di riparare l'apparecchio: può essere pericoloso.

GARANZIA E ASSISTENZA TECNICA

Questo prodotto gode del riconoscimento e della tutela della garanzia legale in conformità alla normativa vigente. Per far valere i suoi diritti o interessi, deve rivolgersi a uno dei nostri servizi ufficiali di assistenza tecnica.

È possibile trovare quello più vicino accedendo al seguente link web: <https://www.blackanddecker.eu/>

Può anche richiedere informazioni correlate contattandoci.

È possibile scaricare questo manuale di istruzioni e i relativi aggiornamenti all'indirizzo <https://www.blackanddecker.eu/>.

PER I PRODOTTI DELL'UNIONE EUROPEA E/O NEL CASO IN CUI SIA PREVISTO DALLA LEGISLAZIONE DEL SUO PAESE DI ORIGINE PRODOTTO ECOLOGICO E RICICLABILE

- I materiali che costituiscono l'imballaggio di questo apparecchio sono compresi in un sistema di raccolta, classificazione e riciclaggio degli stessi. Per lo smaltimento, utilizzare gli appositi contenitori pubblici, adatti per ogni tipo di materiale.
-

- Il prodotto non contiene concentrazioni di sostanze considerate dannose per l'ambiente.



Questo simbolo indica che, per smaltire il prodotto al termine della sua durata utile, occorre depositarlo presso un ente di smaltimento autorizzato alla raccolta differenziata di rifiuti di apparecchiature elettriche ed elettroniche (RAEE).

- Questo apparecchio rispetta la Direttiva 2014/35/EU di Bassa Tensione, la Direttiva 2014/30/EU di Compatibilità Elettromagnetica, la Direttiva 2011/65/EU sui limiti d'impiego di determinate sostanze pericolose negli apparecchi elettrici ed elettronici e la Direttiva 2009/125/EC riguardante l'Ecodesign dei prodotti che consumano energia.
- Informazioni relative alle sostanze estremamente preoccupanti (SVHC) ai sensi del regolamento 1907/2006/CE (REACH). Questo prodotto contiene le seguenti sostanze SVHC:
 - Piombo (Pb), numero CAS: 7439-92-1
 - Cadmio (Cd), numero CAS: 7440-43-9

Black & Decker® e BLACK+DECKER™ e i loghi Black & Decker® e BLACK+DECKER™ sono marchi registrati di The Black & Decker® Corporation e sono utilizzati su licenza. Tutti i diritti riservati. Importato e distribuito da ENGINEERING AND TECHNOLOGY FOR LIFE, S.L. Avda. Barcelona s/n Oliana, 25790, Spain

**CAFETERA ESPRESSO
BXCO1350E**

Distinguido cliente,

Muchas gracias por elegir comprar un producto de la marca Black+Decker.

Su tecnología, diseño y funcionalidad, junto con el hecho de superar las más estrictas normas de calidad le comportarán total satisfacción durante mucho tiempo.

**CONSEJOS DE SEGURIDAD Y
ADVERTENCIAS**

- Lea atentamente estas instrucciones antes de poner en marcha el aparato, y consérvelas para futuras consultas. La no observación y cumplimiento de estas instrucciones pueden comportar como resultado un accidente.
- Este aparato pueden utilizarlo niños con edad de 8 años y superior si se les ha dado la supervisión o formación apropiadas respecto al uso del aparato de una manera segura y comprenden los peligros que implica. La limpieza y el mantenimiento a realizar por el usuario no deben realizarlos los niños a menos que sean mayores de 8 años y estén supervisados. Mantenga el aparato y su cable fuera del alcance de los niños menores de 8 años.
- Este aparato pueden utilizarlo personas con capacidades físicas, sensoriales o mentales reducidas o falta de experiencia y conocimiento, si se les ha dado la supervisión o formación apropiadas respecto al uso del aparato de una manera segura y comprenden los peligros que implica.
- Los niños deben estar bajo vigilancia para asegurar que no jueguen con el aparato.
- La limpieza y el mantenimiento no deben ser realizados por niños sin supervisión.
- Antes del primer uso, limpiar todas las partes del producto que puedan estar en contacto con agua o café, procediendo tal como se indica en el apartado de limpieza.
- Este aparato no debe ser sumergido en agua o cualquier otro líquido.
- Evite derrames sobre el conector.
- La superficie de la resistencia está sujeta a calor residual después de su uso.
- **PRECAUCIÓN:** El uso indebido de este aparato puede causar heridas. Es necesario tener cuidado durante la limpieza.
- La cafetera no debe colocarse en un armario cuando esté en uso.
- Si el cable de alimentación está dañado, debe ser sustituido por el fabricante, por su servicio posventa o por personal cualificado similar con el fin de evitar un peligro.
- Este aparato está diseñado para ser utilizado en aplicaciones domésticas y similares, tales como:
 - áreas de cocina para el personal en tiendas, oficinas y otros entornos de trabajo;
 - casas de campo;

- por clientes en hoteles, moteles y otros entornos de tipo residencial;
- habitaciones de huéspedes.

- Antes de conectar el aparato a la red, verificar que el voltaje indicado en la placa de características coincide con el voltaje de red.
- Conectar el aparato a una toma de corriente que soporte como mínimo 10 amperios.
- La clavija del aparato debe coincidir con la base eléctrica de la toma de corriente. Nunca modificar la clavija. No usar adaptadores de clavija.
- No utilizar el aparato con el cable eléctrico o la clavija dañada.
- No tirar del cable de alimentación. Nunca usar el cable eléctrico para levantar, transportar o desenchufar el aparato.
- No enrollar el cable eléctrico de conexión alrededor del aparato.
- Verificar el estado del cable eléctrico de conexión. Los cables dañados o enredados aumentan el riesgo de choque eléctrico.
- Si se rompe la carcasa del aparato, desconectar inmediatamente el aparato de la red eléctrica para evitar la posibilidad de sufrir una descarga eléctrica.
- No utilizar el aparato si ha caído, si hay señales visibles de daños, o si existe fuga.
- No tocar la clavija de conexión con las manos mojadas.
- El aparato debe utilizarse y colocarse sobre una superficie plana y estable.
- No colocar el aparato sobre superficies calientes tales como placas de cocción, quemadores de gas, hornos o similares.
- Tomar las medidas necesarias para evitar la puesta en marcha no intencionada del aparato.
- No exponer el aparato a la lluvia o condiciones de humedad. El agua que entre en el aparato aumentará el riesgo de choque eléctrico.

USO Y MANTENIMIENTO

- Extienda completamente el cable de alimentación del aparato antes de cada uso.
- No utilice el aparato si sus accesorios no están bien colocados.
- No utilice el aparato si los accesorios que lleva están defectuosos. Sustitúyalos inmediatamente.
- No encienda el aparato sin agua.
- No utilice el aparato si el botón de encendido/apagado no funciona.

- No dé la vuelta al aparato mientras esté en uso o conectado a la red eléctrica.
- Respete los niveles MAX y MIN.
- Desconecte el aparato de la red eléctrica cuando no lo utilice y antes de emprender cualquier tarea de limpieza.
- Guarde este aparato fuera del alcance de los niños y/o personas con problemas físicos, sensoriales o mentales reducidos o con falta de experiencia y conocimientos.
- Utilice sólo agua con el aparato.
- Se recomienda el uso de agua mineral embotellada adaptada al consumo humano.
- Durante la preparación del café, no retire el porta filtros, ya que en ese momento se encuentra bajo presión.

DESCRIPCIÓN

A	Botones de control
A1	Botón de encendido/apagado
A2	Botón de 1 taza
A3	Botón de 2 tazas
A4	Botón de calentamiento de vapor
B	Mando de vapor
C	Tapa del depósito de agua
D	Depósito de agua
E	Tubo de vapor
F	Mango del tubo de vapor
G	Porta filtros
H	Filtro
H1	Filtro para café molido (1 taza)
H2	Filtro para café molido (2 tazas)
I	Bandeja de goteo
J	Rejilla de la bandeja
K	Cuchara dosificadora

Si el modelo de su electrodoméstico no dispone de los accesorios descritos anteriormente, también puede adquirirlos por separado en el Servicio de Asistencia Técnica.

INSTRUCCIONES DE USO

ANTES DE USAR

- Asegúrese de que se ha retirado todo el embalaje del producto.
- Lea atentamente el folleto "Consejos y advertencias de seguridad" antes de utilizarlo por primera vez.

- Antes de utilizar el producto por primera vez, le recomendamos que lo haga funcionar sólo con agua.
- Antes de utilizar el producto por primera vez, limpie las partes que entrarán en contacto con el café y el agua de la forma descrita en el apartado «Limpieza».

LLENADO CON AGUA

- Debe llenar el depósito de agua antes de encender el aparato.
- Extraiga el depósito de agua de su lugar.
- Abra la tapa.
- Llene el depósito de agua teniendo cuidado de respetar los niveles MAX y MIN.
- Cierre la tapa.
- Vuelva a colocar el depósito de agua en su alojamiento, asegurándose de que está bien introducido.
- NOTA: No es obligatorio desmontar el depósito de agua. Aun así, si se hace, asegúrese de que se coloca correctamente después de rellenarlo.

LLENADO CON CAFÉ

- Retire el porta filtros, girándolo en el sentido de las agujas del reloj.
- Con ayuda de la cuchara dosificadora, coloque en el filtro café molido compatible con las cafeteras espresso. 1 cuchara para 1 taza, 2 cucharas para 2 tazas. (6-7 g por taza que se prepare).
- A continuación, presione ligeramente el café molido con el dorso de la cuchara.
- Vuelva a instalar el porta filtros en el aparato.
- NOTA: Compruebe que el porta filtros está bien colocado después de cargarlo.

USO

- Conecte el aparato a la red eléctrica.
- Pulse el botón de encendido/apagado. La luz anular de los botones empezará a parpadear, indicando que la cafetera se está precalentando.
- Cuando dejen de parpadear, la cafetera entrará en la posición de calentamiento y estará lista para preparar su café preferido.

PREPARAR UN CAFÉ

- Siga los pasos indicados anteriormente, según el relleno de una taza de café molido.
- Una vez que el porta filtros esté en su sitio, pulse el botón de 1 taza.
- La cafetera se detendrá automáticamente una vez que se haya preparado el café.

PREPARAR DOS CAFÉS

- Siga los pasos indicados anteriormente, según el relleno de dos tazas de café molido.
- Una vez que el porta filtros esté en su sitio, pulse el botón de 2 tazas.
- La cafetera se detendrá automáticamente una vez que se hayan preparado los dos cafés.

AGUA CALIENTE

- Desde la posición de calentamiento, coloque una taza debajo del tubo de vapor.
- Abra el mando de vapor girándolo en sentido contrario a las agujas del reloj. Empezará a salir agua caliente.
- Para terminar, cierre el sistema de agua girando el mando en sentido inverso.

ESPUMADO DE LECHE

- Desde la posición de calentamiento, pulse el botón de de calentamiento de vapor. Comenzará a parpadear.
- Una vez que el botón deje de parpadear, la máquina estará lista para hacer vapor seco.
- Coloque una taza con leche bajo el tubo de vapor e introduzca el tubo de vapor hasta que la salida esté casi en el fondo de la taza.
- Abra el mando de vapor girándolo en sentido contrario a las agujas del reloj. Se oirá el ruido del vapor al salir.
- Ajuste la temperatura tocando la taza y, cuando la vea lista, cierre el mando de vapor.
- NOTA: Después del uso del vapor, si desea volver a la extracción de café, pulse el botón de calentamiento de vapor y baje la presión, siguiendo los pasos del apartado "Agua caliente" de este manual. Soltar un poco de agua bajará la temperatura y aliviará la presión.

AJUSTE DE LA CANTIDAD DE CAFÉ

- Puede ajustar la duración de las dos funciones electrónicas de esta cafetera (preparar un café o dos cafés).
- Para ello, prepare la máquina según la función que desee configurar.
- Pulse durante 3 segundos el botón de la función que desee configurar.
- Verá que los demás botones dejan de iluminarse.
- Recuerde colocar una taza debajo del porta filtros.
- Pulse de nuevo el botón para iniciar el ajuste.
- Cuando alcance la duración deseada, pulse de nuevo para registrar la cantidad.

FUNCIÓN DE ESPERA

- Para ahorrar energía, el aparato pasa al modo de espera después de 25 minutos si el usuario no lo utiliza.
- Cuando el aparato entre en la función de espera, el botón de encendido/apagado seguirá parpadeando lentamente.
- Si desea reiniciar la máquina, puede pulsar cualquiera de los tres botones.

CUANDO HAYA TERMINADO DE UTILIZAR EL APARATO

- Apague el aparato con el botón de encendido/apagado. Desenchufe el aparato de la red eléctrica.
- Deje que el aparato se enfríe.
- Limpie el aparato.

PROTECTOR TÉRMICO DE SEGURIDAD

- El aparato dispone de un dispositivo de seguridad que lo protege del sobrecalentamiento.
- Cuando el aparato se encienda y apague repetidamente, por causas ajenas al control del termostato, compruebe que no haya obstáculos que impidan la correcta entrada o expulsión del aire.
- Si el aparato se apaga solo y no vuelve a encenderse, desconéctelo de la red eléctrica y espere unos 15 minutos antes de volver a conectarlo. Si la máquina no vuelve a arrancar, solicite asistencia técnica autorizada.

LIMPIEZA

- Desconecte el aparato de la red eléctrica y deje que se enfríe antes de emprender cualquier tarea de limpieza.
- Limpie el equipo con un paño húmedo con unas gotas de detergente y séquelo.
- No utilice disolventes ni productos con un pH ácido o básico, como lejía, ni productos abrasivos, para limpiar el aparato.
- No deje que entre agua ni ningún otro líquido en los orificios de ventilación para evitar daños en las piezas internas del aparato.
- Las siguientes piezas pueden lavarse en el lavavajillas (con un programa de limpieza suave) o en agua caliente jabonosa:
 - Cuchara dosificadora
 - Depósito de agua
 - Tapa del depósito de agua
 - Filtros
 - Bandeja de goteo
 - Rejilla de la bandeja

- La posición de escurrido/secado de los artículos lavables en el lavavajillas o en el fregadero debe permitir que el agua escurra fácilmente.
- A continuación, seque todas las piezas antes de su montaje y almacenamiento.

CÓMO TRATAR LAS INCRUSTACIONES CALCÁREAS

- Para que el aparato funcione correctamente, debe mantenerse libre de incrustaciones de cal o magnesio causadas por el uso de agua dura.
- Para evitar este tipo de problemas, se recomienda utilizar agua de baja mineralización.
- Esta cafetera debe descalcificarse después de 500 ciclos. Este tiempo es orientativo y le recomendamos lo siguiente:
 - Cada 10 semanas si el agua es "muy dura".
 - Cada 17 semanas si el agua es "dura".
- No se recomiendan soluciones caseras para desincrustar este aparato, como el uso de vinagre.

SERVICIO

- Toda utilización inadecuada, o en desacuerdo con las instrucciones de uso, puede comportar peligro, anulando la garantía y la responsabilidad del fabricante.

ANOMALÍAS Y REPARACIÓN

- En caso de avería lleve el aparato a un Servicio de Asistencia Técnica autorizado. No intente desmontarlo o repararlo ya que puede existir peligro.

GARANTÍA Y ASISTENCIA TÉCNICA

Este producto goza del reconocimiento y la protección de la garantía legal de acuerdo con la legislación vigente. Para hacer valer sus derechos o intereses, debe dirigirse a cualquiera de nuestros servicios oficiales de asistencia técnica.

Puede encontrar el más cercano accediendo al siguiente enlace web: <https://www.blackanddecker.eu//>

También puede solicitar información relacionada poniéndose en contacto con nosotros.

Puede descargar este manual de instrucciones y sus actualizaciones en <https://www.blackanddecker.eu//>.

PARA LAS VERSIONES EU DEL PRODUCTO Y/O EN EL CASO DE QUE EN SU PAÍS APLIQUE:

ECOLOGÍA Y RECICLABILIDAD DEL PRODUCTO

- Los materiales que constituyen el envase de este aparato, están integrados en un sistema de recogida, clasificación y reciclado de los mismos. Si desea deshacerse de ellos, puede utilizar los contenedores públicos apropiados para cada tipo de material.
- El producto está exento de concentraciones de sustancias que se puedan considerar dañinas para el medio ambiente.



Este símbolo significa que, si desea deshacerse del producto, una vez transcurrida la vida del mismo, debe depositarlo por los medios adecuados a manos de un gestor de residuos autorizado para la recogida selectiva de Residuos de Aparatos Eléctricos y Electrónicos

(RAEE).

- Este aparato cumple con la Directiva 2014/35/EU de Baja Tensión, con la Directiva 2014/30/EU de Compatibilidad Electromagnética, con la Directiva 2011/65/EU sobre restricciones a la utilización de determinadas sustancias peligrosas en aparatos eléctricos y electrónicos y con la Directiva 2009/125/EC sobre los requisitos de diseño ecológico aplicable a los productos relacionados con la energía
- Información sobre sustancias extremadamente preocupantes (SVHC) según el Reglamento 1907/2006/CE (REACH). Este producto contiene las siguientes sustancias SVHC:
 - Plomo (Pb), Número CAS: 7439-92-1
 - Cadmio (Cd), Número CAS: 7440-43-9

Black & Decker® y BLACK+DECKER™ y los logotipos de Black & Decker® y BLACK+DECKER™ son marcas registradas de The Black & Decker® Corporation y se utilizan bajo licencia. Todos los derechos reservados. Importado y distribuido por ENGINEERING AND TECHNOLOGY FOR LIFE, S.L. Avda. Barcelona s/n Oliana, 25790, Spain

**MÁQUINA DE CAFÉ EXPRESSO
BXCO1350E**

Caro cliente,

Muito obrigado por escolher comprar um produto da marca Black+Decker.

A sua tecnologia, design e funcionalidade, aliados às mais rigorosas normas de qualidade, garantir-lhe-ão uma total satisfação durante muito tempo.

**CONSELHOS E AVISOS DE
SEGURANÇA**

- Leia atentamente estas instruções antes de ligar o aparelho e guardas para referência futura. A não observância e cumprimento destas instruções pode resultar em acidente.
- Este aparelho pode ser utilizado por pessoas não familiarizadas com a sua utilização, pessoas incapacitadas ou crianças a partir dos 8 anos, desde que o façam sob supervisão ou tenham recebido formação sobre a utilização segura do aparelho e compreendam os perigos que este comporta. As crianças não devem realizar operações de limpeza ou manutenção do aparelho, a menos que sejam maiores de 8 anos e se encontrem sob a supervisão de um adulto. Guarde este aparelho fora do alcance de crianças menor de 8 anos.
- Este aparelho pode ser utilizado por pessoas com capacidades físicas, sensoriais ou mentais reduzidas ou com falta de experiência e conhecimento, desde que sejam supervisionadas ou instruídas sobre o uso do aparelho de forma segura e compreendam os perigos envolvidos.
- As crianças devem ser vigiadas para garantir que não brincam com o aparelho.
- Limpe todas as partes do produto que estarão em contacto com o café ou a água, como indicado na secção “Limpeza”, antes da utilização.
- Este aparelho não deve ser mergulhado em água ou em qualquer outro líquido.
- Evite derrames no conector.
- A superfície do elemento de aquecimento está sujeita a calor residual após a utilização.
- PRECAUÇÕES: O uso indevido deste aparelho pode levar a possíveis lesões. Deve ser tomado cuidado durante a limpeza.
- A máquina de café não deve ser colocada num armário quando estiver a ser utilizada.
- Se o cabo de alimentação estiver danificado, deve ser substituído pelo fabricante, pelo serviço pós-venda ou por pessoal semelhante qualificado com o fim de evitar riscos.
- Este aparelho destina-se a ser utilizado em aplicações domésticas e similares, como por exemplo:
 - áreas de cozinha do pessoal em lojas, escritórios e outros ambientes de trabalho;
 - casas de quinta;
 - por clientes em hotéis, motéis e outros ambientes de tipo residencial;

- ambientes de tipo cama e pequeno-almoço

- Antes de ligar o aparelho à corrente, verifique se a tensão indicada na placa de características corresponde à tensão da rede.
- Ligue o aparelho a uma tomada elétrica de pelo menos 10 amperes.
- A ficha do aparelho deve coincidir com a tomada de corrente elétrica. Nunca modifique a ficha. Não use adaptadores de ficha.
- Não utilize o aparelho se o cabo de alimentação ou a ficha estiverem danificados.
- Não puxe pelo cabo de alimentação. Nunca utilize o cabo de alimentação para levantar, transportar ou desligar o aparelho da corrente.
- Não enrole o cabo no aparelho.
- Verifique o estado do cabo de alimentação. Se estiver danificado, aumentará o risco de choque elétrico.
- Se o invólucro do aparelho quebrar, desconecte imediatamente o aparelho da rede elétrica para evitar a possibilidade de choque elétrico.
- Não utilize o aparelho se este caiu e se existirem sinais visíveis de danos ou de fuga.
- Não toque na ficha de ligação com as mãos molhadas.
- O aparelho deve ser utilizado e colocado sobre uma superfície plana e estável.
- Não coloque o aparelho em cima de superfícies quentes tais como placas de cozedura, queimadores a gás, fornos, etc.
- Tome cuidado para evitar ligar o aparelho involuntariamente.
- Não exponha o aparelho à chuva ou a condições de humidade. A água que entrar no aparelho aumentará o risco de choque elétrico.

UTILIZAÇÃO E CUIDADOS

- Desenrole completamente o cabo de alimentação do aparelho antes de cada utilização.
- Não utilize o aparelho se os seus acessórios não estiverem corretamente montados.
- Não utilize o aparelho se os acessórios que o acompanham estiverem defeituosos. Substituí-los imediatamente.
- Não ligue o aparelho sem água.
- Não utilize o aparelho se o interruptor de ligar/desligar não funcionar.
- Não vire o aparelho enquanto estiver a ser utilizado ou ligado à rede elétrica.

- Respeite os níveis MAX e MIN.
- Desligue o aparelho da rede elétrica quando não estiver a ser utilizado e antes de efetuar qualquer trabalho de limpeza.
- Guarde este aparelho fora do alcance de crianças e/ou de pessoas com deficiências físicas, sensoriais ou mentais reduzidas ou com falta de experiência e de conhecimentos.
- Utilize apenas água com o aparelho.
- Recomenda-se a utilização de água mineral engarrafada adaptada ao consumo humano.
- Durante a preparação do café, não retirar o porta-filtros, pois nesse momento ele está sob pressão.

DESCRIÇÃO

A	Botões de controlo
A1	Botão de ligar/desligar
A2	Botão de 1 chávena
A3	Botão de 2 chávenas
A4	Botão de aquecimento a vapor
B	Botão de vapor
C	Tampa do depósito de água
D	Depósito de água
E	Tubo de vapor
F	Pega do tubo de vapor
G	Porta-filtros
H	Filtro
H1	Filtro para café moído (1 chávena)
H2	Filtro para café moído (2 chávenas)
I	Tabuleiro de recolha de água
J	Grelha da bandeja
K	Colher de medida

Se o modelo do seu aparelho não dispuser dos acessórios acima descritos, estes podem ser adquiridos separadamente junto do Serviço de Assistência Técnica.

INSTRUÇÕES DE UTILIZAÇÃO

ANTES DA UTILIZAÇÃO

- Certifique-se de que todas as embalagens do produto foram retiradas.
- Leia atentamente o folheto "Conselhos de segurança e avisos" antes da primeira utilização.
- Antes de utilizar o produto pela primeira vez, recomendamos que o faça funcionar apenas com água.

- Antes de utilizar o produto pela primeira vez, limpe as partes que entrarão em contacto com o café e a água da forma descrita na secção “Limpeza”.

ENCHIMENTO COM ÁGUA

- É necessário encher o depósito de água antes de ligar o aparelho.
- Retire o depósito de água do seu lugar.
- Abra a tampa.
- Enche o depósito de água tendo o cuidado de observar os níveis MAX e MIN.
- Feche a tampa.
- Volte a colocar o depósito de água no seu alojamento, certificando-se de que está corretamente inserido.
- NOTA: Não é obrigatório retirar o depósito de água. Mesmo assim, se for feito, certifique-se de que é colocado corretamente depois de o encher.

ENCHIMENTO COM CAFÉ

- Retire o porta-filtros, rodando-o no sentido dos ponteiros do relógio.
- Com a ajuda da colher de medida, coloque no filtro o pó de café compatível com as máquinas de café expresso. 1 colher para 1 chávena, 2 colheres para 2 chávenas. (6-7 g por chávena a preparar).
- Em seguida, pressione ligeiramente o café moído com as costas da colher.
- Volte a colocar o porta-filtros no aparelho.
- NOTA: Verifique se o porta-filtros está corretamente colocado após o carregamento.

UTILIZAÇÃO

- Ligue o aparelho à rede eléctrica.
- Ligue o botão Ligar/Desligar. O anel luminoso dos botões começa a piscar, indicando que a máquina de café está a pré-aquecer.
- Quando deixarem de piscar, a máquina de café entrará na posição de aquecimento e estará pronta a preparar o seu café preferido.

FAZER UM CAFÉ

- Siga os passos indicados anteriormente, de acordo com uma chávena de enchimento de café em pó.
- Quando o porta-filtros estiver no seu lugar, prima o botão 1 chávena.
- A máquina de café para automaticamente quando o café estiver pronto.

FAZER DOIS CAFÉS

- Siga os passos indicados anteriormente, de acordo com duas chávenas de enchimento de café em pó.

- Quando o porta-filtros estiver no seu lugar, prima o botão 2-cápsulas.
- A máquina de café para automaticamente quando os dois cafés estiverem prontos.

ÁGUA QUENTE

- A partir da posição aquecida, coloque uma chávena sob o tubo de vapor.
- Abra o botão de vapor, rodando-o no sentido contrário ao dos ponteiros do relógio. Começará a sair água quente.
- Para terminar, feche o sistema de água rodando o botão no sentido inverso.

ESPUMA DE LEITE

- A partir da posição aquecida, preme o botão de vapor. Começará a piscar.
- Quando o botão deixar de piscar, a máquina estará pronta para produzir vapor seco.
- Coloque uma chávena com leite debaixo do tubo de vapor e introduzir o tubo de vapor até que a saída esteja quase no fundo da chávena.
- Abra o botão de vapor, rodando-o no sentido contrário ao dos ponteiros do relógio. Ouvir-se-á o ruído do vapor a sair.
- Ajuste a temperatura tocando na chávena e, quando vir que está pronta, feche o botão do vapor.
- NOTA: Após a vaporização, se desejar voltar à extração do café, prima o botão para um ou dois cafés e baixe a pressão, seguindo os passos da secção “Água quente” deste manual. A libertação de alguma água fará baixar a temperatura e aliviará a pressão.

CONFIGURAÇÃO DA QUANTIDADE DE CAFÉ

- Pode definir a duração das duas funções electrónicas desta máquina de café (fazer um café ou dois cafés).
- Para isso, prepare a máquina de acordo com a função que se pretende ativar.
- Prima o botão da função que pretende configurar durante 3 segundos.
- Verá que os outros botões deixam de se iluminar.
- Não se esqueça de colocar um copo por baixo do porta-filtros.
- Prima novamente o botão para iniciar a definição.
- Quando atingir a duração pretendida, prima novamente para registar a quantidade.

FUNÇÃO STAND-BY

- Para poupar energia, o aparelho passa para o modo de espera após 25 minutos se o utilizador não o utilizar.
- Quando o aparelho entra na função stand-by, o botão On/Off fica a piscar lentamente.

- Se pretende reiniciar a máquina, pode premir qualquer um dos três botões.

QUANDO TERMINAR DE UTILIZAR O APARELHO

- Ligue o aparelho com o interruptor de ligar/desligar. Desligue o aparelho da rede eléctrica.
- Deixe arrefecer o aparelho.
- Limpe o aparelho.

PROTECTOR TÉRMICO DE SEGURANÇA

- O aparelho dispõe de um dispositivo de segurança que protege o aparelho contra o sobreaquecimento.
- Quando o aparelho se liga e desliga repetidamente, por motivos alheios ao controlo do termóstato, verificar se não existem obstáculos que impeçam a correta entrada ou saída do ar.
- Se o aparelho se desligar e não se voltar a ligar, desligue-o da rede eléctrica e aguarde cerca de 15 minutos antes de o voltar a ligar. Se a máquina não voltar a arrancar, procurar assistência técnica autorizada.

LIMPEZA

- Desligue o aparelho da rede eléctrica e deixe-o arrefecer antes de proceder a qualquer trabalho de limpeza.
- Limpe o aparelho com um pano húmido com algumas gotas de detergente para a loiça e secar.
- Não utilize solventes ou produtos com um pH ácido ou básico, como lixívia, ou produtos abrasivos, para limpar o aparelho.
- Não deixe entrar água ou qualquer outro líquido nas aberturas de ventilação para evitar danificar as partes internas do aparelho.
- As peças seguintes podem ser lavadas na máquina de lavar loiça (utilizando um programa de limpeza suave) ou em água quente com sabão:
 - Colher de medida
 - Depósito de água
 - Tampa do depósito de água
 - Filtros
 - Tabuleiro de recolha de água
 - Grelha da bandeja
- A posição de escoamento/secagem dos artigos laváveis na máquina de lavar loiça ou no lava-loiça deve permitir que a água escorra facilmente.
- Em seguida, seque todas as peças antes da sua montagem e armazenamento.

COMO LIDAR COM AS INCRUSTAÇÕES DE CALCÁRIO

- Para que o aparelho funcione corretamente, deve ser mantido livre de incrustações de calcário ou magnésio causadas pela utilização de água dura.
- Para evitar este tipo de problema, recomendamos a utilização de água com baixa mineralização.
- Esta máquina de café deve ser descalcificada após 500 ciclos. Este tempo é uma orientação, e recomendamos o seguinte:
 - De 10 em 6 semanas se a água for "muito dura".
 - De 17 em 12 semanas se a água for "dura".

- As soluções caseiras não são recomendadas para a desclassificação deste aparelho, tais como a utilização de vinagre.

SERVIÇO

- Qualquer utilização incorreta ou inobservância das instruções de utilização anula a garantia e a responsabilidade do fabricante.

ANOMALIAS E REPARAÇÃO

- Em caso de avaria leve o aparelho a um Serviço de Assistência Técnica autorizado. Não tente desmontar ou reparar o aparelho, já que tal poderá acarretar perigos.

GARANTIA E ASSISTÊNCIA TÉCNICA

Este produto goza do reconhecimento e protecção da garantia legal de acordo com a legislação em vigor. Para fazer valer os seus direitos ou interesses, deverá dirigir-se a qualquer um dos nossos serviços oficiais de assistência técnica.

Pode encontrar o mais próximo acedendo à seguinte ligação web: <https://www.blackanddecker.eu/>

Você também pode solicitar informações relacionadas entrando em contacto conosco.

Pode descarregar este manual de instruções e as suas atualizações em <https://www.blackanddecker.eu/>

PARA AS VERSÕES EU DO PRODUTO E/OU CASO APLICÁVEL NO SEU PAÍS ECOLOGIA E RECICLAGEM E DO PRODUTO

- Os materiais que constituem a embalagem deste aparelho estão integrados num sistema de recolha, classificação e reciclagem. Se deseja eliminar-los, utilize os contentores de reciclagem colocados à disposição para cada tipo de material.

- O produto está isento de concentrações de substâncias que possam ser consideradas nocivas para o ambiente.



Este símbolo significa que se desejar desfazer-se do produto depois de terminada a sua vida útil, deve entregar-lo através dos meios adequados ao cuidado de um gestor de resíduos autorizado para a recolha seletiva de Resíduos de Equipamentos Elétricos e Eletrónicos (REEE).

- Este aparelho cumpre a Diretiva 2014/35/EU de Baixa Tensão, a Diretiva 2014/30/EU de Compatibilidade Eletromagnética, a Diretiva 2011/65/EU sobre restrições à utilização de determinadas substâncias perigosas em aparelhos elétricos e eletrónicos e a Diretiva 2009/125/EC sobre os requisitos de design ecológico aplicável aos produtos relacionados com a energia.
- Informações relativas a substâncias que suscitam elevada preocupação (SVHC) de acordo com o Regulamento 1907/2006/CE (REACH). Este produto contém as seguintes substâncias SVHC:
 - Chumbo (Pb), Número CAS: 7439-92-1
 - Cádmio (Cd), Número CAS: 7440-43-9

Black & Decker® e BLACK+DECKER™ e os logótipos Black & Decker® e BLACK+DECKER™ são marcas registradas da The Black & Decker® Corporation e são usadas sob licença. Todos os direitos reservados. Importado e Distribuído por ENGINEERING AND TECHNOLOGY FOR LIFE, SL Avda. Barcelona s/n Oliana, 25790, Espanha

**ESPRESSO APPARAAT
BXC01350E**

Geachte klant,

Hartelijk dank voor uw keuze voor een product van het merk Black+Decker.

De technologie, het ontwerp en de functionaliteit van dit product, dat voldoet aan de meest strikte kwaliteitseisen, staan garant voor langdurige tevredenheid.

**VEILIGHEIDSADVIES EN
WAARSCHUWINGEN**

- Lees deze instructies zorgvuldig voordat u het apparaat inschakelt en bewaar ze voor toekomstig gebruik. Het niet opvolgen en naleven van deze instructies kan een ongeluk tot gevolg hebben.
- Dit apparaat kan worden gebruikt door mensen die niet gewend zijn om ermee om te gaan, door mensen met een handicap of door kinderen van 8 jaar en ouder, als ze onder toezicht of instructies hebben gekregen over het veilige gebruik van het apparaat en op de hoogte zijn van de gevaren die eraan verbonden zijn. Reiniging en gebruikersonderhoud mogen niet door kinderen worden verricht, tenzij zij ouder zijn dan 8 jaar en onder toezicht staan. Houd het apparaat en het bijbehorende snoer buiten het bereik van kinderen jonger dan 8 jaar.
- Dit toestel mag, onder toezicht, door personen met lichamelijke, zintuiglijke of geestelijke beperkingen, of met een gebrek aan ervaring en kennis, mits zij voldoende informatie ontvangen hebben om het toestel op een veilige

manier te kunnen gebruiken en de gevaren kennen.

- Houd toezicht op kinderen om er zeker van te zijn dat ze niet met het apparaat spelen.
- Reinig voor gebruik alle onderdelen van het product die in contact komen met koffie of water, zoals aangegeven in het hoofdstuk "Reiniging".
- Dit apparaat mag niet worden ondergedompeld in water of een andere vloeistof.
- Vermijd morsen op de connector.
- Het oppervlak van het verwarmingselement is na gebruik onderhevig aan restwarmte.
- LET OP: Verkeerd gebruik van dit apparaat kan leiden tot mogelijk letsel. Bij het schoonmaken moet zorgvuldig te werk worden gegaan.
- Het koffiezetapparaat mag niet in een kast worden geplaatst wanneer het in gebruik is.
- Als de voedingskabel beschadigd is, moet het door de fabrikant, zijn klantenservice of vergelijkbaar gekwalificeerd personeel vervangen worden, om eventuele risico's te vermijden.
- Dit apparaat is bedoeld voor gebruik in huishoudelijke en soortgelijke toepassingen zoals:
 - personeelskeukens in winkels, kantoren en andere werkomgevingen;
 - boerderijen;

- door klanten in hotels, motels en andere residentiële omgevingen;
- bed & breakfast-achtige omgevingen

- Alvorens het apparaat op het lichtnet aan te sluiten, controleer dat de aangegeven spanning op het kenplaatje overeenkomt met de netspanning.
- Sluit het apparaat aan op een stopcontact van minstens 10 ampère.
- De stekker van het apparaat moet geschikt zijn voor het stopcontact. Wijzig de stekker niet. Gebruik geen adapters.
- Gebruik het apparaat niet als het netsnoer of de stekker beschadigd is.
- Trek niet aan de voedingskabel. Gebruik het snoer nooit om het apparaat op te tillen, te transporteren of om de stekker uit het stopcontact te trekken.
- Wikkel het stroomsnoer niet om het apparaat.
- Controleer de toestand van de voedingskabel. Als deze beschadigd is, verhoogt dit het risico van een elektrische schok.
- Als de behuizing van het apparaat breekt, moet het apparaat onmiddellijk van het lichtnet worden losgekoppeld om de kans op een elektrische schok te voorkomen.
- Gebruik het apparaat niet als het is gevallen, wanneer er zichtbare tekenen van schade zijn of wanneer het lekt.
- Raak de stekker niet met natte handen aan.
- Het apparaat moet worden gebruikt en geplaatst op een vlakke, stabiele ondergrond.
- Plaats het apparaat niet op hete oppervlakken, zoals kookplaten, gasbranders, ovens en dergelijke.
- Voorkom dat het apparaat onvrijwillig wordt gestart.
- Stel het apparaat niet aan regen of vochtigheid bloot. Water dat in het apparaat komt vergroot het risico van een elektrische schok.

GEBRUIK EN VERZORGING

- Rol het snoer van het apparaat vóór elk gebruik volledig af.
- Gebruik het apparaat niet als de accessoires niet goed gemonteerd zijn.
- Gebruik het apparaat niet als de eraan bevestigde accessoires defect zijn. Vervang ze onmiddellijk.
- Zet het apparaat niet aan zonder water.
- Gebruik het apparaat niet als de aan/uit-schakelaar niet werkt.

- Draai het apparaat niet om terwijl het in gebruik is of op het lichtnet is aangesloten.
- Respecteer de MAX en MIN niveaus.
- Haal de stekker uit het stopcontact als u het apparaat niet gebruikt en voordat u het schoonmaakt.
- Bewaar dit apparaat buiten het bereik van kinderen en/of personen met fysieke, zintuiglijke of mentale beperkingen of gebrek aan ervaring en kennis.
- Gebruik alleen water met het apparaat.
- Het gebruik van voor menselijke consumptie geschikt mineraalwater in flessen wordt aanbevolen.
- Verwijder tijdens het koffiezetten de filterhouder niet, want dan staat deze onder druk.

BESCHRIJVING

A	Bedieningsknoppen
A1	Aan/uit-knop
A2	Knop voor 1 kopje
A3	Knop voor 2 kopjes
A4	Stoomverwarmingsknop
B	Stoomknop
C	Deksel waterreservoir
D	Watertank
E	Stoompijp
F	Stoompijp handvat
G	Filterhouder
H	Filter
H1	Gemalen koffiefilter (1 kopje)
H2	Gemalen koffiefilter (2 kopjes)
I	Lekbak
J	Bak grill
K	Maatlepel

Indien het model van uw apparaat niet over de hierboven beschreven accessoires beschikt, kunnen deze ook afzonderlijk bij de Technische Hulpdienst worden gekocht.

GEBRUIKSAANWIJZING

VOOR GEBRUIK

- Zorg ervoor dat alle verpakkingen van het product zijn verwijderd.
- Lees het boekje "Veiligheidsadvies en waarschuwingen" zorgvuldig door voor het eerste gebruik.
- Voordat je het product voor de eerste keer gebruikt, raden we aan om het alleen met water te laten draaien.

- Voordat u het product voor de eerste keer gebruikt, reinigt u de onderdelen die in contact komen met koffie en water op de manier zoals beschreven in het hoofdstuk "Reiniging".

VULLEN MET WATER

- U moet het watercompartiment vullen voordat u het apparaat inschakelt.
- Haal het waterreservoir van zijn plaats.
- Open de klep.
- Vul het reservoir en let daarbij op het MAX- en MIN-niveau.
- Sluit het deksel.
- Plaats het waterreservoir terug in de behuizing en zorg ervoor dat het goed vastzit.
- OPMERKING: Het is niet verplicht om het waterreservoir te verwijderen. Als je het toch doet, zorg er dan voor dat het goed geplaatst is na het vullen.

VULLEN MET KOFFIE

- Verwijder de filterhouder door deze met de klok mee te draaien.
- Doe met behulp van het maatschepje koffiepoeder dat compatibel is met espressomachines in het filter. 1 lepel voor 1 kopje, 2 lepels voor 2 kopjes. (6-7 g per te bereiden kopje).
- Druk vervolgens de gemalen koffie lichtjes aan met de achterkant van de lepel.
- Plaats de filterhouder nogmaals in het apparaat.
- OPMERKING: Controleer na het laden of de filterhouder goed is aangebracht.

GEBRUIK

- Sluit het apparaat aan op het lichtnet.
- Zet de aan/uit-knop aan. Het ringlampje op de knoppen begint te knipperen om aan te geven dat de koffiemachine aan het voorverwarmen is.
- Zodra ze stoppen met knipperen, gaat de koffiemachine naar de verwarmde stand en is hij klaar om je favoriete koffie te zetten.

EÉN KOFFIE ZETTEN

- Volg de eerder aangegeven stappen voor één kopje koffie in poedervorm.
- Zodra de filterhouder op zijn plaats zit, drukt u op de knop voor 1 kopje.
- De koffiemachine stopt automatisch zodra de koffie is gezet.

TWEE KOFFIE ZETTEN

- Volg de eerder aangegeven stappen voor twee kopjes koffie in poedervorm.
- Zodra de filterhouder op zijn plaats zit, drukt u op de knop voor 2 kopjes.
- De koffiemachine stopt automatisch zodra beide koffie gezet is.

WARM WATER

- Plaats vanuit de verwarmde positie een kopje onder het stoompijpje.
- Open de stoomknop door deze tegen de klok in te draaien. Er komt heet water uit.
- Sluit het watersysteem af door de knop in omgekeerde richting te draaien.

MELK OPSCHUIVEN

- Druk vanuit de verwarmde stand op de stoomknop. Het begint te knipperen.
- Zodra de knop stopt met knipperen, is het apparaat klaar om droge stoom te maken.
- Plaats een kopje met melk onder het stoompijpje en leid het stoompijpje in tot de uitloop bijna op de bodem van het kopje is.
- Open de stoomknop door deze tegen de klok in te draaien. Je hoort het geluid van de stoom die eruit komt.
- Pas de temperatuur aan door het kopje aan te raken en als je ziet dat het klaar is, sluit je de stoomknop.
- OPMERKING: Als je na het stomen wilt terugkeren naar koffie-extractie, druk je op de knop voor een of twee koffie en verlaag je de druk volgens de stappen in het gedeelte "Heet water" van deze handleiding. Door wat water te laten ontsnappen zal de temperatuur dalen en de druk afnemen.

DE KOFFIEHOEVEELHEID INSTELLEN

- Je kunt de tijdsduur instellen voor de twee elektronische functies van dit koffiezetapparaat (één koffie of twee koffie zetten).
- Om dit te doen, bereidt u de machine voor volgens de functie die u wilt instellen.
- Houd de knop van de functie die u wilt instellen 3 seconden ingedrukt.
- U zult zien dat de andere knoppen niet meer oplichten.
- Vergeet niet om een kopje onder de filterhouder te plaatsen.
- Druk nogmaals op de knop om de instelling te starten.
- Wanneer u de gewenste duur bereikt, drukt u nogmaals op om het bedrag op te nemen.

STAND-BY FUNCTIE

- Om energie te besparen gaat het apparaat na 25 minuten in stand-by als de gebruiker het niet gebruikt.
- Wanneer het apparaat in stand-by staat, blijft de aan/uit-knop langzaam knipperen.
- Als je de machine opnieuw wilt opstarten, kun je op een van de drie knoppen drukken.

ALS U KLAAR BENT MET HET APPARAAT

- Zet het apparaat aan met de aan/uit-schakelaar. Haal de stekker uit het stopcontact.
- Laat het apparaat afkoelen.
- Maak het apparaat schoon.

THERMISCHE BEVEILIGING

- Het apparaat heeft een beveiliging die het apparaat tegen oververhitting beschermt.
- Wanneer het toestel zichzelf om andere redenen dan de thermostaatregeling herhaaldelijk in- en uitschakelt, controleer dan of er geen obstakels zijn die een correcte luchttoevoer of -afvoer belemmeren.
- Als het apparaat zichzelf uitschakelt en niet meer inschakelt, haal dan de stekker uit het stopcontact en wacht ongeveer 15 minuten voordat u het weer aansluit. Als de machine niet opnieuw start, zoek dan bevoegde technische hulp.

SCHOONMAKEN

- Haal de stekker uit het stopcontact en laat het apparaat afkoelen voordat u het schoonmaakt.
- Maak het apparaat schoon met een vochtige doek met een paar druppels afwasmiddel en droog het vervolgens af.
- Gebruik geen oplosmiddelen of producten met een zure of basische pH, zoals bleekwater, of schuurmiddelen om het apparaat te reinigen.
- Laat geen water of andere vloeistoffen in de ventilatieopeningen komen om schade aan de binnenkant van het apparaat te voorkomen.
- De volgende onderdelen mogen in de vaatwasser (met een zacht reinigingsprogramma) of in een sopje van heet water:
 - Maatlepel
 - Watertank
 - Deksel waterreservoir
 - Filters
 - Lekbak
 - Bak grill

- De positie voor het uitlekken/drogen van artikelen die in de vaatwasser of in de gootsteen kunnen worden afgewassen, moet zodanig zijn dat het water gemakkelijk kan weglopen.
- Droog vervolgens alle onderdelen voordat ze in elkaar worden gezet en opgeborgen.

HOE TE HANDELEN BIJ KALKAANSLAG

- Voor een goede werking van het apparaat moet het vrij worden gehouden van kalk- of magnesiumaanslag als gevolg van het gebruik van hard water.
- Om dit soort problemen te voorkomen adviseren wij het gebruik van water met een lage mineralisatie.
- Dit koffiezetapparaat moet na 500 cycli ontkalkt worden. Deze tijd is een richtlijn en we raden het volgende aan:
 - Elke 10 weken als het water "heel hard" is.
 - Elke 17 weken als het water "hard" is.

- Zelfgemaakte oplossingen voor het ontkalken van dit apparaat, zoals het gebruik van azijn, worden afgeraden.

REPARATIES

- Ieder verkeerd gebruik of het niet opvolgen van de gebruiksaanwijzing doet de garantie en de aansprakelijkheid van de fabrikant vervallen.

STORINGEN EN REPARATIE

- Breng het apparaat bij storing naar een erkende Technische Dienst. Probeer het apparaat niet zelf te demonteren of te repareren, want dit kan gevaarlijk zijn.

GARANTIE EN TECHNISCHE BIJSTAND

Dit product geniet de erkenning en bescherming van de wettelijke garantie overeenkomstig de geldende wetgeving. Om uw rechten of belangen af te dwingen, moet u zich wenden tot een van onze officiële diensten voor technische bijstand.

U kunt de dichtstbijzijnde vinden via de volgende weblink: <https://www.blackanddecker.eu/>

U kunt ook gerelateerde informatie aanvragen door contact met ons op te nemen.

U kunt deze handleiding en de updates ervan downloaden op <https://www.blackanddecker.eu/>

**VOOR EU-VERSIES VAN HET PRODUCT EN/OF INDIEN
VAN TOEPASSING IN UW LAND
MILIEUVRIENDELIJKHEID EN HERGEBRUIK VAN HET
PRODUCT**

- Het verpakkingsmateriaal van dit apparaat is geschikt voor inzameling, classificatie en hergebruik. U kunt dit materiaal wegwerpen in de openbare afvalcontainers die voor de desbetreffende typen materiaal zijn bestemd.
- Het product bevat geen stoffen in concentraties die als schadelijk voor het milieu beschouwd kunnen worden.



Dit symbool betekent dat u het product aan het eind van zijn levenscyclus moet afgeven aan een erkende afvalverwerker ten behoeve van de gescheiden verwerking van Afgedankte Elektrische en Elektronische Apparatuur (AEEA).

- Dit apparaat voldoet aan de laagspanningsrichtlijn 2014/35/EU, de richtlijn 2014/30/EU met betrekking tot elektromagnetische compatibiliteit, de richtlijn 2011/65/EU met betrekking tot beperkingen in de toepassing van bepaalde gevaarlijke stoffen in elektrische en elektronische apparaten en de richtlijn 2009/125/EC met betrekking tot de eisen inzake het ecologisch ontwerp van energie-gerelateerde producten.
- Informatie met betrekking tot zeer zorgwekkende stoffen (SVHC) volgens Verordening 1907/2006/EG (REACH). Dit product bevat de volgende stoffen SVHC:
 - Lood (Pb), CAS-nummer: 7439-92-1
 - Cadmium (Cd), CAS-nummer: 7440-43-9

Black & Decker® en BLACK+DECKER™ en de Black & Decker® en BLACK+DECKER™ logo's zijn geregistreerde handelsmerken van The Black & Decker® Corporation en worden onder licentie gebruikt. Alle rechten voorbehouden. Ingevoerd en gedistribueerd door ENGINEERING AND TECHNOLOGY FOR LIFE, S.L. Avda. Barcelona s/n Oliana, 25790, Spain

**EKSPRES DO KAWY ESPRESSO
BXCO1350E**

Szanowny Kliencie,

Dziękujemy, że zdecydowali się Państwo na zakup produktu marki Black+Decker.

Jego technologia, forma i funkcjonalność, jak również fakt, że spełnia on wszelkie normy jakości, dostarczy Państwu pełnej satysfakcji przez długi czas.

**WSKAZÓWKI BEZPIECZEŃSTWA I
OSTRZEŻENIA**

- Przed włączeniem urządzenia należy uważnie przeczytać niniejszą instrukcję i zachować ją na przyszłość. Niedostosowanie się i nieprzestrzeganie niniejszych instrukcji może doprowadzić do wypadku.
- Urządzenie może być użytkowane przez osoby nieprzywykłe do jego obsługi, osoby niepełnosprawne lub dzieci w wieku 8 lat i starsze, jeżeli otrzymały one nadzór lub instrukcję dotyczącą bezpiecznego użytkowania urządzenia i rozumieją związane z tym zagrożenia. Czyszczenie i konserwacja nie mogą być wykonywane przez dzieci, chyba że mają one więcej niż 8 lat i są nadzorowane. Urządzenie i jego przewód należy przechowywać w miejscu niedostępnym dla dzieci w wieku poniżej 8 lat.
- Urządzenie może być używane przez osoby o ograniczonych możliwościach fizycznych, sensorycznych lub umysłowych, lub nieposiadające doświadczenia i wiedzy, jeżeli otrzymały one nadzór lub instrukcję

dotyczącą bezpiecznego użytkowania urządzenia i rozumieją związane z tym zagrożenia.

- Dzieci powinny pozostać pod czujną opieką w celu zagwarantowania iż nie bawią się urządzeniem.
- Przed użyciem wyczyść wszystkie części produktu, które będą miały kontakt z kawą lub wodą, zgodnie ze wskazówkami zawartymi w sekcji "Czyszczenie".
- Tego urządzenia nie wolno zanurzać w wodzie ani innych płynach.
- Unikać rozlania płynu na złącze.
- Powierzchnia elementu grzejjego jest narażona na ciepło resztkowe po użyciu.
- UWAGA: Niewłaściwe użytkowanie tego urządzenia może prowadzić do potencjalnych obrażeń. Podczas czyszczenia należy zachować ostrożność.
- Ekspres do kawy nie może być umieszczony w szafce, gdy jest używany.
- Jeśli przewód zasilający jest uszkodzony, w celu uniknięcia zagrożenia musi on zostać wymieniony przez producenta lub autoryzowany przez producenta serwis lub przez osoby o odpowiednich kwalifikacjach.

- To urządzenie jest przeznaczone do użytku w gospodarstwach domowych i podobnych zastosowaniach, takich jak:

- pomieszczenia kuchenne dla personelu w sklepach, biurach i innych środowiskach pracy;
- gospodarstwa rolne;
- przez klientów w hotelach, motelach i innych środowiskach mieszkalnych;
- środowiska typu "bed and breakfast".

- Przed podłączeniem maszyny do sieci, sprawdzić czy napięcie wskazane na tabliczce znamionowej odpowiada napięciu sieci.
- Podłączyć urządzenie do gniazdka sieciowego o natężeniu co najmniej 10 amperów.
- Wtyczka urządzenia powinna być zgodna z podstawą elektryczną gniazdka. Nigdy nie modyfikować wtyczki. Nie używać przejściówek dla wtyczki.
- Nie używać urządzenia, jeśli przewód zasilający lub wtyczka są uszkodzone.
- Nie ciągnąć za przewód zasilający. Nie używać nigdy kabla elektrycznego do podnoszenia, przenoszenia ani wyłączania urządzenia.
- Nie zwijać kabla elektrycznego podłączenia wokół urządzenia.
- Sprawdzić stan przewodu zasilającego. Jego uszkodzenie zwiększa ryzyko porażenia prądem.
- Jeżeli obudowa urządzenia pęknie, należy natychmiast odłączyć urządzenie od sieci, aby zapobiec możliwości porażenia prądem.
- Nie używać urządzenia, jeśli ono upadło czy kiedy występują widoczne oznaki uszkodzenia, albo jeśli istnieją wycieki.
- Nie dotykać wtyczki mokrymi rękoma.
- Urządzenie musi być używane i ustawione na płaskiej, stabilnej powierzchni.
- Nie należy umieszczać urządzenia na gorących powierzchniach, takich jak płyty kuchenne, palniki gazowe, piekarniki lub podobne.
- Należy uważać, aby nie uruchomić urządzenia mimowolnie.

- Nie wystawiać urządzenia na deszcz ani narażać na warunki wilgotności. Woda, która dostanie się do urządzenia zwiększy ryzyko porażenia prądem.

UŻYTKOWANIE I PIELĘGNACJA

- Przed każdym użyciem całkowicie rozwinąć przewód zasilający urządzenia.
- Nie należy używać urządzenia, jeśli jego akcesoria nie są prawidłowo zamontowane.
- Nie używać urządzenia, jeśli dołączone do niego akcesoria są uszkodzone. Należy je natychmiast wymienić.
- Nie włączać urządzenia bez wody.
- Nie używać urządzenia, jeśli włącznik/wyłącznik nie działa.
- Nie należy odwracać urządzenia, gdy jest ono używane lub podłączone do sieci elektrycznej.
- Należy przestrzegać poziomów MAX i MIN.
- Odłączyć urządzenie od sieci, gdy nie jest używane i przed podjęciem jakichkolwiek czynności związanych z czyszczeniem.
- Urządzenie należy przechowywać w miejscu niedostępnym dla dzieci i/lub osób o ograniczonej sprawności fizycznej, sensorycznej, umysłowej lub braku doświadczenia i wiedzy.
- Z urządzeniem należy używać wyłącznie wody.
- Zaleca się stosowanie butelkowanej wody mineralnej przystosowanej do spożycia przez ludzi.
- Podczas parzenia kawy nie należy wyjmować uchwytu filtra, ponieważ w tym czasie znajduje się on pod ciśnieniem.

OPIS

- A Przyciski sterowania
 - A1 Przycisk wł.
 - A2 Przycisk 1 filiżanki
 - A3 Przycisk na 2 filiżanki
 - A4 Przycisk ogrzewania parowego
- B Pokrętko pary
- C Pokrywa zbiornika wody
- D Zbiornik na wodę
- E Rura parowa
- F Uchwyt rury parowej
- G Uchwyt filtra
- H Filtr
 - H1 Filtr do kawy mielonej (1 filiżanka)
 - H2 Filtr do kawy mielonej (2 filiżanki)

I	Tacka ociekowa
J	Taca do grillowania
K	Łyżka pomiarowa

Jeśli model Państwa urządzenia nie posiada opisanych powyżej akcesoriów, można je również zakupić oddzielnie w Serwisie Pomocy Technicznej.

INSTRUKCJA UŻYTKOWANIA

PRZED UŻYCIEM

- Upewnij się, że wszystkie opakowania produktu zostały usunięte.
- Przed pierwszym użyciem należy dokładnie przeczytać broszurę "Wskazówki bezpieczeństwa i ostrzeżenia".
- Przed pierwszym użyciem produktu zalecamy umyć go samą wodą.
- Przed pierwszym użyciem produktu należy wyczyścić części, które będą miały kontakt z kawą i wodą w sposób opisany w sekcji "Czyszczenie".

NAPELNIANIE WODĄ

- Przed włączeniem urządzenia należy napelnić zbiornik na wodę.
- Wyciągnij zbiornik na wodę z jego miejsca.
- Otwórz pokrywę.
- Napelnić zbiornik, zwracając uwagę na poziomy MAX i MIN.
- Zamknij pokrywę.
- Umieść zbiornik wody z powrotem w obudowie, upewniając się, że jest prawidłowo włożony.
- UWAGA: Demontaż zbiornika na wodę nie jest obowiązkowy. Mimo to, jeśli to zrobisz, upewnij się, że jest prawidłowo umieszczony po napelnieniu.

NAPELNIANIE KAWĄ

- Wyjmij uchwyt filtra, obracając go zgodnie z ruchem wskazówek zegara.
- Za pomocą miarki wsyp do filtra kawę w proszku kompatybilną z ekspresami do kawy. 1 łyżka na 1 filiżankę, 2 łyżki na 2 filiżanki. (6-7 g na filiżankę do przygotowania).
- Następnie lekko dociśnij zmieloną kawę grzbietem łyżki.
- Ponownie zamontuj uchwyt filtra w urządzeniu.
- UWAGA: Po załadowaniu sprawdź, czy uchwyt filtra jest prawidłowo zamocowany.

UŻYCIE

- Podłączyć urządzenie do sieci elektrycznej.

- Włącz przycisk On/Off. Dioda pierścieniowa na przyciskach zacznie migać, wskazując, że ekspres do kawy jest w trakcie podgrzewania.
- Gdy przestaną migać, ekspres do kawy przejdzie w tryb podgrzewania i będzie gotowy do parzenia preferowanej kawy.

PARZENIE JEDNEJ KAWY

- Postępuj zgodnie z krokami wskazanymi wcześniej, zgodnie z jedną filiżanką kawy w proszku.
- Gdy uchwyt filtra znajdzie się na swoim miejscu, naciśnij przycisk 1 filiżanki.
- Ekspres zatrzyma się automatycznie po zaparzeniu kawy.

PRZYGOTOWANIE DWÓCH KAW

- Postępuj zgodnie z krokami wskazanymi wcześniej, zgodnie z dwiema filiżankami kawy w proszku.
- Gdy uchwyt filtra znajdzie się na swoim miejscu, naciśnij przycisk 2 filiżanek.
- Ekspres zatrzyma się automatycznie po zaparzeniu obu kaw.

GORĄCA WODA

- W pozycji nagrzejanej umieść filiżankę pod rurką parową.
- Otwórz pokrętko pary, obracając je w kierunku przeciwnym do ruchu wskazówek zegara. Zacznie wypływać gorąca woda.
- Aby zakończyć, zamknij system wodny, obracając pokrętko w odwrotnym kierunku.

SPIENIANIE MLEKA

- W pozycji podgrzewania naciśnij przycisk pary. Zacznie migać.
- Gdy przycisk przestanie migać, urządzenie będzie gotowe do wytwarzania suchej pary.
- Umieść kubek z mlekiem pod rurką parową i wprowadź rurkę parową, aż wylot znajdzie się prawie na dnie kubka.
- Otwórz pokrętko pary, obracając je w kierunku przeciwnym do ruchu wskazówek zegara. Słychać będzie odgłos wydobywającej się pary.
- Dostosuj temperaturę, dotykając filiżanki, a gdy zobaczysz, że jest gotowa, zamknij pokrętko pary.
- UWAGA: Po zakończeniu parzenia, jeśli chcesz powrócić do ekstrakcji kawy, naciśnij przycisk dla jednej lub dwóch kaw i zmniejsz ciśnienie, wykonując czynności opisane w części "Gorąca woda" niniejszej instrukcji. Wypuszczenie wody obniży temperaturę i zmniejszy ciśnienie.

USTAWIENIE ILOŚCI KAWY

- Można ustawić czas trwania dwóch funkcji elektronicznych tego ekspresu do kawy (parzenie jednej kawy lub dwóch kaw).
- Aby to zrobić, przygotuj urządzenie zgodnie z funkcją, którą chcesz skonfigurować.
- Naciśnij i przytrzymaj przez 3 sekundy przycisk funkcji, którą chcesz skonfigurować.
- Pozostałe przyciski przestaną się podświetlać.
- Pamiętaj o umieszczeniu kubka pod uchwytem filtra.
- Naciśnij przycisk ponownie, aby rozpocząć ustawianie.
- Po osiągnięciu żądanego czasu trwania naciśnij ponownie, aby zarejestrować kwotę.

FUNKCJA CZUWANIA

- W celu oszczędzania energii urządzenie przechodzi w stan czuwania po 25 minutach, jeśli użytkownik z niego nie korzysta.
- Gdy urządzenie przejdzie w tryb gotowości, przycisk włączania/wyłączania będzie powoli migać.
- Jeśli chcesz ponownie uruchomić urządzenie, możesz naciśnąć dowolny z trzech przycisków.

PO ZAKOŃCZENIU UŻYTKOWANIA URZĄDZENIA

- Włącz urządzenie za pomocą włącznika/wyłącznika. Odłącz urządzenie od sieci elektrycznej.
- Pozostaw urządzenie do ostygnięcia.
- Wyczyść urządzenie.

ZABEZPIECZENIE TERMICZNE

- Urządzenie posiada zabezpieczenie, które chroni je przed przegrzaniem.
- Jeśli urządzenie włącza się i wyłącza wielokrotnie z powodów innych niż sterowanie termostatem, należy sprawdzić, czy nie ma żadnych przeszkód utrudniających prawidłowy wlot lub wylot powietrza.
- Jeśli urządzenie wyłączy się i nie włączy ponownie, należy odłączyć je od zasilania i odczekać około 15 minut przed ponownym podłączeniem. Jeśli urządzenie nie uruchomi się ponownie, należy skorzystać z autoryzowanej pomocy technicznej.

CZYSZCZENIE

- Przed przystąpieniem do czyszczenia należy odłączyć urządzenie od sieci i pozostawić je do ostygnięcia.
- Wyczyść sprzęt wilgotną szmatką z kilkoma kroplami płynu do mycia naczyń, a następnie wysusz.
- Do czyszczenia urządzenia nie należy używać rozpuszczalników ani produktów o kwaśnym lub

zasadowym pH, takich jak wybielacze, ani produktów ściemych.

- Nie pozwól, aby woda lub jakikolwiek inny płyn dostał się do otworów wentylacyjnych, aby uniknąć uszkodzenia wewnętrznych części urządzenia.
- Poniższe elementy można myć w zmywarce (używając delikatnego programu czyszczącego) lub w ciepłej wodzie z mydłem:
 - Łyżka pomiarowa
 - Zbiornik na wodę
 - Pokrywa zbiornika wody
 - Filtry
 - Tacka ociekowa
 - Taca do grillowania

- Pozycja opróżniania/suszenia artykułów nadających się do mycia w zmywarce lub w zlewie musi umożliwiać łatwe odprowadzanie wody.
- Następnie należy wysuszyć wszystkie części przed ich montażem i przechowywaniem.

JAK RADZIĆ SOBIE Z OSADEM WAPIENNYM?

- Aby urządzenie działało prawidłowo, powinno być wolne od osadów wapiennych lub magnezowych spowodowanych używaniem twardej wody.
- Aby zapobiec tego rodzaju problemom, zalecamy stosowanie wody o niskiej mineralizacji.
- Ten ekspres do kawy należy odkamieniać po 500 cyklach. Czas ten jest orientacyjny i zalecamy, aby był następujący:
 - Co 10 tygodni, jeśli woda jest "bardzo twarda".
 - Co 17 tygodni, jeśli woda jest "twarda".

- Do usuwania kamienia z tego urządzenia nie zaleca się stosowania domowych rozwiązań, takich jak użycie octu.

OBŚLUGA

- Jakikolwiek niewłaściwe użycie lub nieprzestrzeganie instrukcji obsługi powoduje unieważnienie gwarancji i odpowiedzialności producenta.

NIEPRAWIDŁOWOŚCI I NAPRAWA

- W razie awarii zanieś urządzenie do autoryzowanego Serwisu Technicznego. Nie próbować rozbierać urządzenia ani go naprawiać, ponieważ może to być niebezpieczne.

GWARANCJA I POMOC TECHNICZNA

Produkt ten korzysta z uznania i ochrony gwarancji prawnej zgodnie z obowiązującymi przepisami. Aby dochodzić swoich praw lub interesów, muszą Państwo udać się do któregoś z naszych oficjalnych serwisów pomocy technicznej.

Najbliższą można znaleźć pod następującym adresem internetowym: <https://www.blackanddecker.eu/>

Mogą Państwo również poprosić o odpowiednie informacje, kontaktując się z nami.

Niniejszą instrukcję oraz jej aktualizacje można pobrać ze strony <https://www.blackanddecker.eu/>.

DLA URZĄDZEŃ WYPRODUKOWANYCH W UNII EUROPEJSKIEJ I W PRZYPADKU WYMAGAŃ PRAWNYCH OBOWIĄZUJĄCYCH W DANYM KRAJU EKOLOGIA I ZARZĄDZANIE ODPADAMI

- Materiały, z których wykonane jest opakowanie tego urządzenia, znajdują się w ramach systemu zbierania, klasyfikacji oraz ich odzysku. Jeżeli chcecie Państwo się ich pozbyć, należy umieścić je w kontenerze przeznaczonym do tego typu materiałów.
- Produkt nie zawiera koncentracji substancji, które mogłyby być uznane za szkodliwe dla środowiska.



Symbol ten oznacza, że jeśli chcecie się Państwo pozbyć tego produktu po zakończeniu okresu jego użytkowania, należy go przekazać przy zastosowaniu określonych środków do autoryzowanego podmiotu zarządzającego odpadami w celu przeprowadzenia selektywnej zbiórki Odpadów Urządzeń Elektrycznych i Elektronicznych (WEEE).

- To urządzenie jest zgodne z dyrektywą 2014/35/EU niskonapięciowych 2014/30/EU o Kompatybilność elektromagnetycznej, z dyrektywą 2011/65/EU w sprawie ograniczenia stosowania niektórych niebezpiecznych substancji w sprzęcie elektrycznym i elektronicznym oraz dyrektywą 2009/125/EC w sprawie wymogów dotyczących ekoprojektu stosowanego w produktach związanych z energią.
- Informacje dotyczące substancji wzbudzających szczególnie duże obawy (SVHC) zgodnie z rozporządzeniem 1907/2006/WE (REACH). Ten produkt zawiera następujące substancje SVHC:

- Ołów (Pb), numer CAS: 7439-92-1
- Kadm (Cd), numer CAS: 7440-43-9

Black & Decker® i BLACK+DECKER™ oraz logo Black & Decker® i BLACK+DECKER™ są zarejestrowanymi znakami towarowymi The Black & Decker® Corporation i są używane na podstawie licencji. Wszelkie prawa zastrzeżone. Importowane i dystrybuowane przez ENGINEERING AND TECHNOLOGY FOR LIFE, S.L. Avda. Barcelona s/n Oliana, 25790, Spain

**ΚΑΦΕΤΙΕΡΑ ESPRESSO
BXCO1350E**

Αξιότιμε πελάτη,

Σας ευχαριστούμε πολύ που επιλέξατε να αγοράσετε ένα προϊόν της μάρκας Black+Decker.

Η τεχνολογία, ο σχεδιασμός και η λειτουργία του, σε συνδυασμό με το γεγονός ότι το προϊόν πληροί τις αυστηρότερες προδιαγραφές ποιότητας θα σας εξασφαλίσουν πλήρη ικανοποίηση για πολύ καιρό.

**ΣΥΜΒΟΥΛΕΣ ΑΣΦΑΛΕΙΑΣ ΚΑΙ
ΠΡΟΕΙΔΟΠΟΙΗΣΕΙΣ**

- Διαβάστε προσεκτικά αυτές τις οδηγίες πριν θέσετε σε λειτουργία τη συσκευή και φυλάξτε τις για μελλοντική αναφορά. Η μη τήρηση και μη συμμόρφωση με τις εν λόγω οδηγίες μπορούν να οδηγήσουν σε ατύχημα.
- Αυτή η συσκευή μπορεί να χρησιμοποιηθεί από άτομα που δεν χρησιμοποιούνται για το χειρισμό της, άτομα με ειδικές ανάγκες ή παιδιά ηλικίας 8 ετών και άνω, εάν τους έχει δοθεί επίβλεψη ή οδηγίες σχετικά με τη χρήση της συσκευής με ασφαλή τρόπο και κατανοούν τους σχετικούς κινδύνους. Ο καθαρισμός και η συντήρηση από τον χρήστη δεν πρέπει να γίνεται από παιδιά, εκτός εάν είναι μεγαλύτερα από 8 ετών και επιβλέπονται. Κρατήστε τη συσκευή και το καλώδιό της μακριά από παιδιά ηλικίας κάτω των 8 ετών.
- Αυτή η συσκευή μπορεί να χρησιμοποιηθεί από άτομα με μειωμένες σωματικές, αισθητηριακές ή διανοητικές ικανότητες ή έλλειψη εμπειρίας και γνώσης, εάν τους έχει δοθεί επίβλεψη ή οδηγίες σχετικά με τη χρήση

της συσκευής με ασφαλή τρόπο και κατανοούν τους κινδύνους που εμπεριέχονται.

- Τα παιδιά πρέπει να επιτηρούνται ώστε να διασφαλίζεται ότι δεν παίζουν με τη συσκευή.
- Καθαρίστε όλα τα μέρη του προϊόντος που θα έρθουν σε επαφή με τον καφέ ή το νερό, όπως αναφέρεται στην ενότητα «Καθαρισμός», πριν από τη χρήση.
- Αυτή η συσκευή δεν πρέπει να βυθίζεται σε νερό ή οποιοδήποτε άλλο υγρό.
- Αποφύγετε τη διαρροή στο συνδετήρα.
- Η επιφάνεια του θερμαντικού στοιχείου υπόκειται σε υπολειμματική θερμότητα μετά τη χρήση.
- ΠΡΟΣΟΧΗ: Η κακή χρήση αυτής της συσκευής μπορεί να οδηγήσει σε πιθανό τραυματισμό. Κατά τον καθαρισμό πρέπει να δίνεται προσοχή.
- Η καφετιέρα δεν πρέπει να τοποθετείται σε ντουλάπι όταν χρησιμοποιείται.
- Αν το καλώδιο τροφοδοσίας έχει υποστεί ζημιά, πρέπει να αντικατασταθεί από τον κατασκευαστή, από το τμήμα του εξυπηρέτησης μετά την πώληση, ή από παρεμφερές ειδικευμένο προσωπικό, ώστε να αποφεύγεται τυχόν κίνδυνος.
- Αυτή η συσκευή προορίζεται για χρήση σε οικιακές και παρόμοιες εφαρμογές όπως:

- χώρους κουζίνας προσωπικού σε καταστήματα, γραφεία και άλλα εργασιακά περιβάλλοντα,
- αγροικίες,
- από πελάτες σε ξενοδοχεία, μοτέλ και άλλα περιβάλλοντα οικιακού τύπου,
- σε περιβάλλοντα τύπου bed and breakfast

- Πριν συνδέσετε τη συσκευή στο ρεύμα, ελέγξτε ότι η τάση που αναφέρεται στην πινακίδα σήμανσης συμπίπτει με την τάση του ρεύματος.
- Συνδέστε τη συσκευή σε πρίζα δικτύου με ονομαστική ισχύ τουλάχιστον 10 αμπέρ.
- Το βύσμα της πρίζας της συσκευής πρέπει να συμπίπτει με την ηλεκτρική βάση λήψης ρεύματος. Μην αλλάζετε ποτέ το βύσμα της πρίζας. Μη χρησιμοποιείται μετασχηματιστές στο βύσμα της πρίζας.
- Μην χρησιμοποιείτε τη συσκευή εάν το καλώδιο τροφοδοσίας ή το βύσμα έχει υποστεί ζημιά.
- Μην τραβάτε το καλώδιο τροφοδοσίας. Μη χρησιμοποιείτε ποτέ το ηλεκτρικό καλώδιο για να σηκώνετε, να μεταφέρετε ή να βγάλετε από την πρίζα τη συσκευή.
- Μην τυλίγετε το ηλεκτρικό καλώδιο σύνδεσης γύρω από τη συσκευή.
- Ελέγξτε την κατάσταση του καλωδίου τροφοδοσίας. Εάν υποστεί ζημιά, θα αυξηθεί ο κίνδυνος ηλεκτροπληξίας.
- Εάν το περιβλήμα της συσκευής σπάσει, αποσυνδέστε αμέσως τη συσκευή από το ηλεκτρικό δίκτυο για να αποφύγετε την πιθανότητα ηλεκτροπληξίας.
- Μη χρησιμοποιείτε τη συσκευή αν έχει πέσει στο δάπεδο, αν παρουσιάζει εμφανή φθορά ή διαρροή.
- Μην αγγίζετε το βύσμα σύνδεσης με υγρά χέρια.
- Η συσκευή πρέπει να χρησιμοποιείται και να τοποθετείται σε επίπεδη, σταθερή επιφάνεια.
- Μην τοποθετείτε τη συσκευή σε θερμές επιφάνειες, όπως μαγειρικές πλάκες, καυστήρες αερίου, φούρνους ή παρόμοια.
- Προσέξτε να αποφύγετε την ακούσια εκκίνηση της συσκευής.
- Μην αφήνετε τη συσκευή εκτεθειμένη σε βροχή ή υγρασία. Το νερό που εισέρχεται στη συσκευή αυξάνει τον κίνδυνο ηλεκτροπληξίας.

ΧΡΗΣΗ ΚΑΙ ΦΡΟΝΤΙΔΑ

- Ξετυλίξτε πλήρως το καλώδιο τροφοδοσίας της συσκευής πριν από κάθε χρήση.

- Μην χρησιμοποιείτε τη συσκευή εάν τα εξαρτήματά της δεν είναι σωστά τοποθετημένα.
- Μην χρησιμοποιείτε τη συσκευή εάν τα εξαρτήματα που είναι προσαρτημένα σε αυτήν είναι ελαττωματικά. Αντικαταστήστε τα αμέσως.
- Μην ενεργοποιείτε τη συσκευή χωρίς νερό.
- Μην χρησιμοποιείτε τη συσκευή εάν ο διακόπτης ενεργοποίησης/απενεργοποίησης δεν λειτουργεί.
- Μην αναποδογυρίζετε τη συσκευή ενώ είναι σε λειτουργία ή συνδεδεμένη στο δίκτυο.
- Σεβαστείτε τα επίπεδα MAX και MIN.
- Αποσυνδέστε τη συσκευή από το ηλεκτρικό δίκτυο όταν δεν τη χρησιμοποιείτε και πριν προβείτε σε οποιαδήποτε εργασία καθαρισμού.
- Αποθηκεύστε αυτή τη συσκευή μακριά από παιδιά ή/και άτομα με σωματική, αισθητηριακή ή μειωμένη νοητική ικανότητα ή έλλειψη εμπειρίας και γνώσης.
- Χρησιμοποιείτε μόνο νερό με τη συσκευή.
- Συνιστάται η χρήση εμφιαλωμένου μεταλλικού νερού προσαρμοσμένου για ανθρώπινη κατανάλωση.
- Κατά την παρασκευή καφέ, μην αφαιρείτε τη θήκη του φίλτρου, καθώς εκείνη τη στιγμή βρίσκεται υπό πίεση.

ΠΕΡΙΓΡΑΦΗ

- | | |
|----|-------------------------------------|
| A | Κουμπιά ελέγχου |
| A1 | Κουμπιά On/Off |
| A2 | Κουμπιά 1 φλιτζανίου |
| A3 | Κουμπιά 2 φλιτζανιών |
| A4 | Κουμπιά θέρμανσης ατμού |
| B | Κουμπιά ατμού |
| C | Καπάκι δεξαμενής νερού |
| D | Δεξαμενή νερού |
| E | Σωλήνας ατμού |
| F | Λαβή σωλήνα ατμού |
| G | Κάτοχος φίλτρου |
| H | Φίλτρο |
| H1 | Φίλτρο αλεσμένου καφέ (1 φλιτζάνι) |
| H2 | Φίλτρο αλεσμένου καφέ (2 φλιτζάνια) |
| I | Δίσκος στάγδην |
| J | Ψησταριά δίσκου |
| K | Κουτάλι μέτρησης |

Εάν το μοντέλο της συσκευής σας δεν διαθέτει τα εξαρτήματα που περιγράφονται παραπάνω, μπορείτε επίσης να τα αγοράσετε ξεχωριστά από την Υπηρεσία Τεχνικής Βοήθειας.

ΟΔΗΓΙΕΣ ΧΡΗΣΗΣ

ΠΡΙΝ ΑΠΟ ΤΗ ΧΡΗΣΗ

- Βεβαιωθείτε ότι έχει αφαιρεθεί όλη η συσκευασία του προϊόντος.
- Διαβάστε προσεκτικά το φυλλάδιο «Συμβουλές ασφαλείας και προειδοποιήσεις» πριν από την πρώτη χρήση.
- Πριν χρησιμοποιήσετε το προϊόν για πρώτη φορά, συνιστούμε να το τρέξετε μόνο με νερό.
- Πριν χρησιμοποιήσετε το προϊόν για πρώτη φορά, καθαρίστε τα μέρη που θα έρθουν σε επαφή με τον καφέ και το νερό με τον τρόπο που περιγράφεται στην ενότητα «Καθαρισμός».

ΠΛΗΡΩΣΗ ΜΕ ΝΕΡΟ

- Πρέπει να γεμίσετε τη θήκη νερού πριν ενεργοποιήσετε τη συσκευή.
- Βγάλτε τη δεξαμενή νερού από τη θέση της.
- Ανοίξτε το κάλυμμα.
- Γεμίστε το δοχείο, προσέχοντας να τηρείτε τα επίπεδα MAX και MIN.
- Κλείστε το καπάκι.
- Τοποθετήστε το δοχείο νερού πίσω στο περίβλημά του, διασφαλίζοντας ότι έχει τοποθετηθεί σωστά.
- ΣΗΜΕΙΩΣΗ: Δεν είναι υποχρεωτική η αφαίρεση της δεξαμενής νερού. Ακόμα κι έτσι, αν έχει γίνει, βεβαιωθείτε ότι έχει τοποθετηθεί σωστά μετά την πλήρωσή του.

ΓΕΜΙΣΜΑ ΜΕ ΚΑΦΕ

- Αφαιρέστε τη θήκη του φίλτρου, περιστρέφοντάς την δεξιόστροφα.
- Με τη βοήθεια του κουταλιού μέτρησης, τοποθετήστε στο φίλτρο σκόνη καφέ συμβατή με τις μηχανές εσπρέσο. 1 κουτάλι για 1 φλιτζάνι, 2 κουτάλια για 2 φλιτζάνια. (6-7 g ανά φλιτζάνι προς παρασκευή).
- Στη συνέχεια, πιέστε ελαφρά τον αλεσμένο καφέ με το πίσω μέρος του κουταλιού.
- Τοποθετήστε ξανά τη θήκη φίλτρου στη συσκευή.
- ΣΗΜΕΙΩΣΗ: Βεβαιωθείτε ότι η θήκη φίλτρου έχει τοποθετηθεί σωστά μετά τη φόρτωση.

ΧΡΗΣΙΜΟΠΟΙΗΣΗ

- Συνδέστε τη συσκευή στο ηλεκτρικό δίκτυο.
- Ενεργοποιήστε το κουμπί On/Off. Η φωτεινή ένδειξη στα κουμπιά θα αρχίσει να αναβοσβήνει, υποδεικνύοντας ότι η καφετιέρα προθερμαίνεται.
- Μόλις σταματήσουν να αναβοσβήνουν, η καφετιέρα θα εισέλθει στη θέση θέρμανσης και θα είναι έτοιμη να παρασκευάσει τον καφέ της προτίμησής σας.

ΦΤΙΑΧΝΟΝΤΑΣ ΕΝΑΝ ΚΑΦΕ

- Ακολουθήστε τα βήματα που αναφέρονται προηγουμένως, σύμφωνα με ένα φλιτζάνι καφέ σε σκόνη.
- Μόλις η θήκη φίλτρου τοποθετηθεί στη θέση της, πατήστε το κουμπί 1 φλιτζάνι.
- Η καφετιέρα θα σταματήσει αυτόματα μόλις ετοιμαστεί ο καφές.

ΦΤΙΑΧΝΟΝΤΑΣ ΔΥΟ ΚΑΦΕΔΕΣ

- Ακολουθήστε τα βήματα που αναφέρονται προηγουμένως, σύμφωνα με δύο φλιτζάνια καφέ σε σκόνη.
- Μόλις η θήκη φίλτρου τοποθετηθεί στη θέση της, πατήστε το κουμπί 2 φλιτζάνια.
- Η καφετιέρα θα σταματήσει αυτόματα μόλις ετοιμαστούν και οι δύο καφέδες.

ΖΕΣΤΟ ΝΕΡΟ

- Από τη θερμαινόμενη θέση, τοποθετήστε ένα φλιτζάνι κάτω από το σωλήνα ατμού.
- Ανοίξτε το κουμπί ατμού, γυρίζοντάς το αριστερόστροφα. Θα αρχίσει να βγαίνει ζεστό νερό.
- Για το τέλος, κλείστε το σύστημα νερού γυρίζοντας το κουμπί προς τα πίσω.

ΑΦΡΙΣΜΟΣ ΓΑΛΑΚΤΟΣ

- Από τη θέση θέρμανσης, πατήστε το κουμπί ατμού. Θα αρχίσει να αναβοσβήνει.
- Μόλις το κουμπί σταματήσει να αναβοσβήνει, το μηχανήμα θα είναι έτοιμο για την παραγωγή ζηρού ατμού.
- Τοποθετήστε ένα φλιτζάνι με γάλα κάτω από το σωλήνα ατμού και εισαγάγετε το σωλήνα ατμού μέχρι η έξοδος να φτάσει σχεδόν στον πυθμένα του φλιτζανιού.
- Ανοίξτε το κουμπί ατμού, γυρίζοντάς το αριστερόστροφα. Θα ακουστεί ο θόρυβος του ατμού που βγαίνει.
- Ρυθμίστε τη θερμοκρασία ακουμπώντας το φλιτζάνι και, όταν το δείτε έτοιμο, κλείστε το κουμπί ατμού.
- ΣΗΜΕΙΩΣΗ: Μετά τον ατμό, αν θέλετε να επιστρέψετε στην εξαγωγή καφέ, πατήστε το κουμπί για έναν ή δύο καφέδες και μειώστε την πίεση, ακολουθώντας τα βήματα που αναφέρονται στην ενότητα «Ζεστό νερό» του παρόντος εγχειριδίου. Η απελευθέρωση λίγου νερού θα μειώσει τη θερμοκρασία και θα ανακουφίσει την πίεση.

ΡΥΘΜΙΣΗ ΤΗΣ ΠΟΣΟΤΗΤΑΣ ΚΑΦΕ

- Μπορείτε να ρυθμίσετε τη διάρκεια των δύο ηλεκτρονικών λειτουργιών αυτής της καφετιέρας (να φτιάχεται ένας καφέ ή δύο καφέδες).
- Για να το κάνετε αυτό, προετοιμάστε το μηχανήμα ανάλογα με τη λειτουργία που θέλετε να ρυθμίσετε.
- Πατήστε το κουμπί της λειτουργίας που θέλετε να ρυθμίσετε για 3 δευτερόλεπτα.

- Θα δείτε ότι τα άλλα κουμπιά σταματούν να φωτίζονται.
- Θυμηθείτε να τοποθετήσετε ένα φλιτζάνι κάτω από τη θήκη του φίλτρου.
- Πατήστε ξανά το κουμπί για να ξεκινήσει η ρύθμιση.
- Όταν φτάσετε στην επιθυμητή διάρκεια, πατήστε ξανά για να καταγράψετε το ποσό.

ΛΕΙΤΟΥΡΓΙΑ ΑΝΑΜΟΝΗΣ

- Για εξοικονόμηση ενέργειας, η συσκευή περνά σε κατάσταση αναμονής μετά από 25 λεπτά, εάν ο χρήστης δεν τη χρησιμοποιεί.
- Όταν η συσκευή εισέρχεται στη λειτουργία αναμονής, το κουμπί On/Off θα συνεχίσει να αναβοσβήνει αργά.
- Εάν θέλετε να επανεκκινήσετε το μηχάνημα, μπορείτε να πατήσετε οποιοδήποτε από τα τρία κουμπιά.

ΜΟΛΙΣ ΤΕΛΕΙΩΣΤΕ ΤΗ ΧΡΗΣΗ ΤΗΣ ΣΥΣΚΕΥΗΣ

- Ενεργοποιήστε τη συσκευή με το διακόπτη on/off. Αποσυνδέστε τη συσκευή από το ηλεκτρικό δίκτυο.
- Αφήστε τη συσκευή να κρυώσει.
- Καθαρίστε τη συσκευή.

ΘΕΡΜΙΚΟ ΠΡΟΣΤΑΤΕΥΤΙΚΟ ΑΣΦΑΛΕΙΑΣ

- Η συσκευή διαθέτει διάταξη ασφαλείας που προστατεύει τη συσκευή από υπερθέρμανση.
- Όταν η συσκευή ενεργοποιείται και απενεργοποιείται επανειλημμένα, για λόγους άλλους από τον έλεγχο του θερμοστάτη, ελέγξτε ότι δεν υπάρχουν εμπόδια που εμποδίζουν τη σωστή είσοδο ή έξοδο του αέρα.
- Εάν η συσκευή απενεργοποιηθεί μόνη της και δεν ενεργοποιηθεί ξανά, αποσυνδέστε την από την παροχή ρεύματος και περιμένετε περίπου 15 λεπτά πριν την επανασυνδέσετε. Εάν το μηχάνημα δεν εκκινήσει ξανά, ζητήστε εξουσιοδοτημένη τεχνική βοήθεια.

ΚΑΘΑΡΙΣΜΟΣ

- Αποσυνδέστε τη συσκευή από το ηλεκτρικό δίκτυο και αφήστε την να κρυώσει πριν προβείτε σε οποιαδήποτε εργασία καθαρισμού.
- Καθαρίστε τον εξοπλισμό με ένα υγρό πανί με λίγες σταγόνες απορρυπαντικού και, στη συνέχεια, στεγνώστε τον.
- Μην χρησιμοποιείτε διαλύτες ή προϊόντα με όξινο ή βασικό pH, όπως χλωρίνη, ή λειαντικά προϊόντα, για τον καθαρισμό της συσκευής.
- Μην αφήνετε νερό ή οποιοδήποτε άλλο υγρό να μπει στους αεραγωγούς για να αποφύγετε ζημιές στα εσωτερικά μέρη της συσκευής.
- Τα παρακάτω κομμάτια μπορούν να πλυθούν στο πλυντήριο πιάτων (χρησιμοποιώντας ένα πρόγραμμα μαλακού καθαρισμού) ή σε ζεστό νερό με σαπούνι:

- Κουτάλι μέτρησης
- Δεξαμενή νερού
- Καπάκι δεξαμενής νερού
- Φίλτρα
- Δίσκος στάγδην
- Ψησταριά δίσκου

- Η θέση αποστράγγισης/στεγνώματος των αντικειμένων που πλένονται στο πλυντήριο πιάτων ή στο νεροχύτη πρέπει να επιτρέψει την εύκολη αποστράγγιση του νερού.
- Στη συνέχεια στεγνώστε όλα τα μέρη πριν από τη συναρμολόγηση και την αποθήκευσή τους.

ΠΩΣ ΝΑ ΑΝΤΙΜΕΤΩΠΙΣΤΕ ΤΙΣ ΕΠΙΚΑΘΙΣΕΙΣ ΑΛΑΤΩΝ

- Για να λειτουργεί σωστά η συσκευή, θα πρέπει να διατηρείται απαλλαγμένη από άλατα ή επικαθίσεις μαγνησίου που προκαλούνται από τη χρήση σκληρού νερού.
- Για να αποφύγετε τέτοιου είδους προβλήματα, συνιστούμε τη χρήση νερού με χαμηλή ανοργανοποίηση.
- Αυτή η καφετιέρα θα πρέπει να αφαιρωθεί μετά από 500 κύκλους. Αυτός ο χρόνος είναι ένας οδηγός και συνιστούμε τα εξής:
 - Κάθε 10 εβδομάδες εάν το νερό είναι «πολύ σκληρό».
 - Κάθε 17 εβδομάδες εάν το νερό είναι «σκληρό».

- Δεν συνιστώνται αυτοσχέδιες λύσεις για την αφαίρεση των αλάτων αυτής της συσκευής, όπως η χρήση ξιδιού.

ΛΕΙΤΟΥΡΓΙΑ

- Τυχόν κακή χρήση ή μη τήρηση των οδηγιών χρήσης καθιστά την εγγύηση και την ευθύνη του κατασκευαστή άκυρη.

ΠΡΟΒΛΗΜΑΤΑ ΚΑΙ ΕΠΙΣΚΕΥΕΣ

- Σε περίπτωση βλάβης, μεταφέρετε τη συσκευή σε εγκεκριμένη υπηρεσία τεχνικής βοήθειας. Μην προσπαθήσετε να την αποσυναρμολογήσετε ή να την επισκευάσετε γιατί μπορεί να εκτεθείτε σε κίνδυνο.

ΕΓΓΥΗΣΗ ΚΑΙ ΤΕΧΝΙΚΗ ΒΟΗΘΕΙΑ

Το προϊόν αυτό τυγχάνει της αναγνώρισης και της προστασίας της νομικής εγγύησης σύμφωνα με την ισχύουσα νομοθεσία. Για να διεκδικήσετε τα δικαιώματά σας ή τα συμφέροντά σας, πρέπει να απευθυνθείτε σε οποιαδήποτε από τις επίσημες υπηρεσίες τεχνικής βοήθειας.

Μπορείτε να βρείτε το πλησιέστερο από αυτά, μπαίνοντας στον ακόλουθο δικτυακό τόπο: <https://www.blackanddecker.eu/>

Μπορείτε επίσης να ζητήσετε σχετικές πληροφορίες επικοινωνώντας μαζί μας.

Μπορείτε να κατεβάσετε αυτό το εγχειρίδιο οδηγιών και τις ενημερώσεις του στη διεύθυνση <https://www.blackanddecker.eu/>.

ΓΙΑ ΤΙΣ ΕΚΔΟΧΕΣ ΕΕ ΤΗΣ ΣΥΣΚΕΥΗΣ ΚΑΙ/Η ΕΦΟΣΟΝ ΙΣΧΥΟΥΝ ΤΑ ΠΑΡΑΚΑΤΩ ΣΤΗ ΧΩΡΑ ΣΑΣ ΟΙΚΟΛΟΓΙΑ ΚΑΙ ΑΝΑΚΥΚΛΩΣΙΜΟΤΗΤΑ ΤΟΥ ΠΡΟΪΟΝΤΟΣ

- Τα υλικά που απαρτίζουν τη συσκευασία αυτής της συσκευής, συμμετέχουν σε πρόγραμμα αποκομιδής, ταξινόμησης και ανακύκλωση τους. Αν θέλετε να απαλλαγείτε από αυτά τα υλικά, μπορείτε να χρησιμοποιήσετε τους δημόσιους κάδους που ενδείκνυνται για κάθε είδος υλικού.
- Το προϊόν δεν περιέχει συγκεντρώσεις ουσιών που μπορούν να θεωρηθούν επιζήμιες για το περιβάλλον.



Αυτό το σύμβολο σημαίνει ότι εάν θέλετε να απαλλαγείτε από το προϊόν, όταν έχει ολοκληρωθεί ο κύκλος ζωής του, οφείλετε να το εναποθέσετε, με τα κατάλληλα μέσα, στα χέρια ενός διαχειριστή αποβλήτων, εγκεκριμένου για την επιλεκτική συλλογή αποβλήτων ειδών ηλεκτρικού και ηλεκτρονικού εξοπλισμού (ΑΗΗΕ).

- Το παρόν προϊόν συμμορφώνεται με την οδηγία 2014/35/EU χαμηλής τάσης, με την οδηγία 2014/30/EU για την ηλεκτρομαγνητική συμβατότητα, με την οδηγία 2011/65/EU για τον περιορισμό της χρήσης ορισμένων επικίνδυνων ουσιών σε ηλεκτρικό και ηλεκτρονικό εξοπλισμό και με την οδηγία 2009/125/EC για τις απαιτήσεις οικολογικού σχεδιασμού όσον αφορά τα συνδεδεμένα με την ενέργεια προϊόντα.
- Πληροφορίες σχετικά με ουσίες που προκαλούν πολύ μεγάλη ανησυχία (SVHC) σύμφωνα με τον κανονισμό 1907/2006/EK (REACH). Αυτό το προϊόν περιέχει τις ακόλουθες ουσίες SVHC:

- Lead (Pb), Αριθμός CAS: 7439-92-1
- Κάδμιο (Cd), Αριθμός CAS: 7440-43-9

Τα Black & Decker® και BLACK+DECKER™ και τα λογότυπα Black & Decker® και BLACK+DECKER™ είναι σήματα κατατεθέντα της The Black & Decker® Corporation και χρησιμοποιούνται με άδεια χρήσης. Όλα τα δικαιώματα διατηρούνται. Εισάγεται και διανέμεται από την ENGINEERING AND TECHNOLOGY FOR LIFE, S.L. Avda. Barcelona s/n Oliana, 25790, Spain

**КОФЕВАРКА ЭСПРЕССО
ВХСО1350Е**

Уважаемый клиент!

Большое спасибо, что решили приобрести товар бренда Black+Decker.

Он выполнен с применением передовых технологий, имеет элегантный дизайн, надежную конструкцию и превышает наиболее требовательные стандарты качества, что обеспечит полное соответствие вашим требованиям и продолжительный срок службы.

**СОВЕТЫ ПО БЕЗОПАСНОСТИ И
ПРЕДУПРЕЖДЕНИЯ**

- Перед включением прибора внимательно прочитайте данную инструкцию и сохраните ее для дальнейшего использования. Ненадлежащее соблюдение этой инструкции может быть причиной несчастного случая.
- Этот прибор может использоваться людьми, не привыкшими к его обращению, инвалидами или детьми в возрасте 8 лет и старше, если они прошли надзор или инструктаж относительно безопасного использования прибора и понимают связанные с этим опасности. Уборка и техническое обслуживание не должны производиться детьми, если они не старше 8 лет и не находятся под присмотром. Храните прибор и его шнур в недоступном для детей возрасте до 8 лет.
- Этот прибор может использоваться людьми с ограниченными физическими, сенсорными или умственными способностями

или людьми с недостатком опыта и знаний, если они находятся под присмотром или проинструктированы о безопасном использовании прибора и понимают связанные с этим опасности.

- Дети должны находиться под присмотром, чтобы они не играли с прибором.
- Перед использованием очистите все части изделия, которые будут контактировать с кофе или водой, как указано в разделе “Очистка”.
- Этот прибор нельзя погружать в воду или любую другую жидкость.
- Избегайте попадания жидкости на разъем.
- Поверхность нагревательного элемента после использования подвержена остаточному нагреву.
- **ВНИМАНИЕ:** Неправильное использование этого прибора может привести к возможным травмам. Осторожность должна соблюдаться во время чистки.
- Во время использования кофеварка не должна находиться в шкафу.
- Если шнур питания поврежден, во избежание опасности он должен быть заменен производителем, специалистом по техническому обслуживанию или другим квалифицированным специалистом.
- Данный прибор предназначен для использования в бытовых и аналогичных условиях, таких как:

- кухонные помещения для персонала в магазинах, офисах и других рабочих помещениях;
- фермерские дома;
- клиентами в гостиницах, мотелях и других жилых помещениях;
- помещения типа “постель и завтрак”.

- Прежде чем включить электроприбор, убедитесь, что напряжение на его табличке соответствует напряжению в сети;
- Подключите прибор к сетевой розетке номинальной мощностью не менее 10 ампер.
- Сетевая вилка должна подходить к розетке. Не допускается вносить изменения в вилку сетевого шнура. Не допускается использовать переходники для розетки.
- Не используйте прибор, если шнур питания или вилка повреждены.
- Не дергайте за шнур питания. Не допускается использовать шнур питания, чтобы поднимать или переносить электроприбор, вынимать вилку из розетки, потянув за шнур.
- Не накручивайте сетевой шнур на прибор.
- Проверьте состояние шнура питания. Если он поврежден, это увеличит риск поражения электрическим током.
- При любом повреждении корпуса электроприбора немедленно отключите его от сети, чтобы не допустить поражения электрическим током.
- Не допускается использовать прибор после падения на пол, если на нем имеются видимые следы повреждений или протечка.
- Не прикасайтесь к вилке влажными руками.
- Прибор необходимо использовать и размещать на ровной устойчивой поверхности.
- Не размещайте прибор на горячих поверхностях, таких как плиты, газовые горелки, духовки или аналогичные.
- Позаботьтесь о том, чтобы не запустить прибор произвольно.
- Не оставляйте прибор под дождем или во влажном месте. Если в прибор попадет вода, это может стать причиной поражения электрическим током.

ИСПОЛЬЗОВАНИЕ И УХОД

- Полностью разматывайте шнур питания прибора перед каждым использованием.
- Не используйте прибор, если его принадлежности не установлены должным образом.
- Не используйте прибор, если прилагаемые к нему принадлежности неисправны. Немедленно замените их.
- Не включайте прибор без воды.
- Не используйте прибор, если переключатель включения/выключения не работает.
- Не переворачивайте прибор, пока он находится в рабочем состоянии или подключен к сети.
- Соблюдайте уровни MAX и MIN.
- Отключайте прибор от электросети, когда он не используется, и перед выполнением любых работ по очистке.
- Храните этот прибор в недоступном для детей и/или лиц с физическими, сенсорными или ограниченными умственными способностями или отсутствием опыта и знаний месте.
- Используйте воду только вместе с прибором.
- Рекомендуется использовать бутилированную минеральную воду, адаптированную для потребления человеком.
- Во время приготовления кофе не снимайте держатель фильтра, так как в это время он находится под давлением.

ОПИСАНИЕ

A	Кнопки управления
A1	Кнопка включения/выключения
A2	Кнопка на 1 чашку
A3	Кнопка на 2 чашки
A4	Кнопка нагрева пара
B	Ручка подачи пара
C	Крышка бака для воды
D	Резервуар для воды
E	Паропровод
F	Рукоятка паровой трубы
G	Держатель фильтра
H	Фильтр
H1	Фильтр для молотого кофе (1 чашка)
H2	Фильтр для молотого кофе (2 чашки)
I	Поддон для сбора капель
J	Решетка с поддоном

К Мерная ложка

Если модель вашего прибора не имеет описанных выше принадлежностей, их можно приобрести отдельно в службе технической помощи.

ИНСТРУКЦИИ ПО ПРИМЕНЕНИЮ

ПЕРЕД ИСПОЛЬЗОВАНИЕМ

- Убедитесь, что с изделия снята вся упаковка.
- Перед первым использованием внимательно прочитайте буклет "Советы и предупреждения по технике безопасности".
- Перед первым использованием продукта рекомендуется пропустить через него только воду.
- Перед первым использованием прибора очистите детали, которые будут контактировать с кофе и водой, способом, описанным в разделе "Очистка".

ЗАПОЛНЕНИЕ ВОДОЙ

- Перед включением прибора необходимо заполнить отсек для воды.
- Извлеките резервуар для воды из своего места.
- Откройте крышку.
- Заполните емкость, обращая внимание на уровни MAX и MIN.
- Закройте крышку.
- Установите резервуар для воды обратно в корпус, убедившись, что он вставлен правильно.
- ПРИМЕЧАНИЕ: Снимать бак для воды не обязательно. Но даже в этом случае, если это сделано, убедитесь, что после заполнения он правильно размещен.

НАПОЛНЕНИЕ КОФЕ

- Снимите держатель фильтра, повернув его по часовой стрелке.
- С помощью мерной ложки поместите в фильтр кофейный порошок, совместимый с эспрессо-машинами. 1 ложка на 1 стакан, 2 ложки на 2 стакана. (6-7 г на чашку для приготовления).
- Затем слегка придавите молотый кофе обратной стороной ложки.
- Еще раз установите держатель фильтра в прибор.
- ПРИМЕЧАНИЕ: После загрузки убедитесь, что держатель фильтра установлен правильно.

ИСПОЛЬЗОВАТЬ

- Подключите прибор к электросети.
- Включите кнопку включения/выключения. Кольцевой индикатор на кнопках начнет мигать, указывая на предварительный нагрев кофеварки.
- Как только они перестанут мигать, кофеварка перейдет в положение подогрева и будет готова к приготовлению предпочитаемого кофе.

ПРИГОТОВЛЕНИЕ ОДНОГО КОФЕ

- Выполните указанные ранее действия из расчета на одну чашку порошкообразного кофейного наполнителя.
- Установив держатель фильтра на место, нажмите кнопку 1 чашка.
- Кофеварка автоматически остановится, как только кофе будет сварен.

ПРИГОТОВЛЕНИЕ ДВУХ СОРТОВ КОФЕ

- Выполните указанные ранее действия из расчета на две чашки порошкообразного кофейного наполнителя.
- Установив держатель фильтра на место, нажмите кнопку 2 чашки.
- Кофеварка автоматически остановится, когда оба кофе будут сварены.

ГОРЯЧАЯ ВОДА

- Из нагретого положения поместите чашку под паровую трубку.
- Откройте ручку подачи пара, повернув ее против часовой стрелки. Начнет выходить горячая вода.
- Для завершения работы закройте систему подачи воды, повернув ручку в обратном направлении.

ВСПЕНИВАНИЕ МОЛОКА

- Из нагретого положения нажмите кнопку подачи пара. Он начнет мигать.
- Как только кнопка перестанет мигать, машина будет готова к приготовлению сухого пара.
- Поместите чашку с молоком под пароводную трубку и вводите пароводную трубку до тех пор, пока выходное отверстие не окажется почти на дне чашки.
- Откройте ручку подачи пара, повернув ее против часовой стрелки. При этом будет слышен шум выходящего пара.
- Отрегулируйте температуру, прикоснувшись к чаше, а когда увидите, что она готова, закройте ручку подачи пара.
- ПРИМЕЧАНИЕ: После подачи пара, если необходимо вернуться к экстракции кофе, нажмите кнопку на один или два кофе и снизьте давление, выполнив

действия, описанные в разделе “Горячая вода” данного руководства. Сброс части воды приведет к снижению температуры и уменьшению давления.

НАСТРОЙКА КОЛИЧЕСТВА КОФЕ

- Вы можете установить продолжительность работы двух электронных функций этой кофеварки (приготовление одного или двух видов кофе).
- Для этого подготовьте машину в соответствии с функцией, которую необходимо настроить.
- Нажмите и удерживайте в течение 3 секунд кнопку функции, которую необходимо настроить.
- Вы увидите, что остальные кнопки перестали подсвечиваться.
- Не забудьте подставить чашку под держатель фильтра.
- Нажмите кнопку еще раз, чтобы начать настройку.
- При достижении нужной продолжительности нажмите еще раз, чтобы записать сумму.

ФУНКЦИЯ ОЖИДАНИЯ

- В целях экономии электроэнергии прибор переходит в режим ожидания через 25 минут, если пользователь не использует его.
- Когда прибор переходит в режим ожидания, кнопка включения/выключения продолжает медленно мигать.
- Если требуется перезапустить машину, можно нажать любую из трех кнопок.

ПОСЛЕ ЗАВЕРШЕНИЯ ИСПОЛЬЗОВАНИЯ ПРИБОРА

- Включите прибор с помощью выключателя. Отключите прибор от электросети.
- Дайте прибору остыть.
- Очистите прибор.

ЗАЩИТНЫЙ ТЕРМОПРОТЕКТОР

- Прибор оснащен предохранительным устройством, которое защищает прибор от перегрева.
- Если прибор неоднократно включается и выключается по причинам, не связанным с термостатом, проверьте, нет ли препятствий, мешающих правильному входу или выходу воздуха.
- Если прибор выключился и больше не включается, отключите его от сети и подождите примерно 15 минут, прежде чем снова подключать. Если машина не запускается снова, обратитесь за авторизованной технической помощью.

ОЧИСТКА

- Отключите прибор от электросети и дайте ему остыть, прежде чем приступать к чистке.
- Очистите оборудование влажной тканью с несколькими каплями моющего средства, а затем вытрите его насухо.
- Не используйте для чистки прибора растворители или средства с кислотным или основным pH, такие как отбеливатель, или абразивные средства.
- Не допускайте попадания воды или любой другой жидкости в вентиляционные отверстия во избежание повреждения внутренних деталей прибора.
- Следующие детали можно мыть в посудомоечной машине (с использованием программы мягкой очистки) или в мыльной горячей воде:
 - Мерная ложка
 - Резервуар для воды
 - Крышка бака для воды
 - Фильтры
 - Поддон для сбора капель
 - Решетка с поддоном

- Положение слива/сушки изделий, моющихся в посудомоечной машине или в раковине, должно обеспечивать легкий слив воды.
- Затем просушите все детали перед их сборкой и хранением.

КАК БОРОТЬСЯ С ИЗВЕСТКОВЫМИ ОТЛОЖЕНИЯМИ

- Чтобы прибор работал правильно, на нем не должно быть накипи или магниевых отложений, вызванных использованием жесткой воды.
- Для предотвращения подобных проблем мы рекомендуем использовать воду с низкой минерализацией.
- Очистку от накипи в этой кофеварке следует проводить после 500 циклов. Это время является ориентировочным, а мы рекомендуем следующее:
 - Каждые 10 недель, если вода “очень жесткая”.
 - Каждые 17 недель, если вода “жесткая”.
- Для удаления накипи с этого прибора не рекомендуется использовать самодельные растворы, например, уксус.

ОБСЛУЖИВАНИЕ

- Любое неправильное использование или несоблюдение инструкций по эксплуатации делает гарантию и ответственность производителя недействительными.

НЕИСПРАВНОСТИ И РЕМОНТ

- В случае неисправности отнесите электроприбор в сервисный центр. Не пытайтесь разбирать или ремонтировать без посторонней помощи, так как это может быть опасно.

ГАРАНТИЯ И ТЕХНИЧЕСКАЯ ПОМОЩЬ

Данный продукт пользуется признанием и защитой правовой гарантии в соответствии с действующим законодательством. Для защиты своих прав или интересов необходимо обратиться в любую из наших служб официальной технической помощи.

Вы можете найти ближайший из них, перейдя по следующей ссылке: <https://www.blackanddecker.eu//>.

Вы также можете запросить соответствующую информацию, связавшись с нами.

Данное руководство по эксплуатации и его обновления можно загрузить по адресу <https://www.blackanddecker.eu//>.

ДЛЯ ИЗДЕЛИЙ В ВЕРСИИ ЕС И/ИЛИ, ЕСЛИ ЭТОГО ТРЕБУЕТ ЗАКОНОДАТЕЛЬСТВО В ВАШЕЙ СТРАНЕ: ЭКОЛОГИЯ И ВТОРИЧНОЕ ИСПОЛЬЗОВАНИЕ

- Материалы упаковки прибора принимаются системой сбора и сортировки материалов для вторичного их использования. Для утилизации используйте бытовые контейнеры для каждого типа мусора.
- В изделии нет веществ в концентрациях, которые считаются вредными для окружающей среды.



Этот значок означает, что после окончания срока службы для утилизации электроприбора отнесите его в пункт сбора электрических и электронных отходов (WEEE).

- Этот прибор выполнен в соответствии с Директивой по низковольтному оборудованию 2014/35/EU, Директивой по электромагнитной совместимости 2014/30/EU, Директивой 2011/65/EU, ограничивающей использование некоторых опасных веществ в электрическом и электронном оборудовании, а также Директивой 2009/125/ЕС по экологическим требованиям к изделиям, потребляющим энергию.
- Информация о веществах, вызывающих очень сильную озабоченность (SVHC) в соответствии с Постановлением 1907/2006/EC (REACH). Этот продукт содержит следующие вещества SVHC:

- Свинец (Pb), номер CAS: 7439-92-1

- Кадмий (Cd), номер CAS: 7440-43-9

Black & Decker® и BLACK+DECKER™, а также логотипы Black & Decker® и BLACK+DECKER™ являются зарегистрированными торговыми марками The Black & Decker® Corporation и используются по лицензии. Все права защищены. Импортруется и распространяется компанией ENGINEERING AND TECHNOLOGY FOR LIFE, S.L. Avda. Barcelona s/n Oliana, 25790, Spain

APARAT DE CAFEA ESPRESSO
BXCO1350E

Stimate client,

Mulțumim pentru că ați ales să achiziționați un produs marca Black+Decker.

Datorită tehnologiei sale, designului și modului de funcționare, precum și faptului că depășește cele mai stricte standarde de calitate, se poate garanta o utilizare pe deplin satisfăcătoare și de lungă durată a produsului.

SFATURI DE SIGURANȚĂ ȘI AVERTISMENTE

- Citiți cu atenție aceste instrucțiuni înainte de a porni aparatul și păstrați-le pentru consultări ulterioare. Nerespectarea acestor instrucțiuni poate provoca un accident.
- Acest aparat poate fi utilizat de persoane care nu sunt obișnuite să îl manipuleze, de persoane cu handicap sau de copii cu vârsta de cel puțin 8 ani, dacă acestea au fost supravegheate sau instruite cu privire la utilizarea aparatului în condiții de siguranță și dacă înțeleg pericolele implicate. Curățarea și întreținerea utilizatorilor nu trebuie să fie efectuate de către copii, cu excepția cazului în care aceștia au peste 8 ani și sunt supravegheați. Țineți aparatul și cablul acestuia în afara razei de acțiune a copiilor cu vârsta mai mică de 8 ani.
- Acest aparat poate fi utilizat de către persoanele ce au o capacitate fizică, senzorială sau mentală redusă sau fără experiență și cunoștințe, doar dacă aceștia sunt sub supraveghere sau au fost instruiți în legătură cu utilizarea aparatului în condiții de siguranță și înțeleg eventualele pericole.
- Copiii trebuie supravegheați, pentru a vă asigura că nu se joacă cu aparatul.
- Curățați toate părțile produsului care vor intra în contact cu cafeaua sau cu apa, așa cum este indicat în secțiunea "Curățare", înainte de utilizare.
- Acest aparat nu trebuie să fie scufundat în apă sau în orice alt lichid.
- Evitați vărsarea pe conector.
- Suprafața elementului de încălzire este supusă unei călduri reziduale după utilizare.
- AVERTISMENT! Utilizarea necorespunzătoare a acestui aparat poate duce la posibile răniri. Trebuie să se acorde atenție în timpul curățării.
- Aparatul de cafea nu trebuie să fie plasat într-un dulap atunci când este utilizat.
- Dacă cablul de alimentare este deteriorat, acesta trebuie înlocuit de producător, de agentul de service sau de persoane calificate în mod similar, pentru a evita pericolul.
- Acest aparat este destinat utilizării în gospodării și în aplicații similare, cum ar fi:
 - zone de bucătărie pentru personal în magazine, birouri și alte medii de lucru;
 - ferme;
 - de către clienți în hoteluri, moteluri și alte medii de tip rezidențial;
 - medii de tip "bed and breakfast".

- Asigurați-vă că tensiunea indicată pe plăcuța de identificare a aparatului corespunde tensiunii de la priză, înainte de a branșa aparatul.
- Conectați aparatul la o priză de cel puțin 10 amperi.
- Ștecărul aparatului trebuie să intre corect în priză. Nu modificați ștecărul. Nu utilizați adaptoare pentru ștecăre.
- Nu utilizați aparatul dacă cablul de alimentare sau ștecherul este deteriorat.
- Nu trageți de cablul de alimentare. Nu utilizați niciodată cablul de alimentare pentru a ridica, transporta sau deconecta aparatul.
- Nu înfășurați cablul electric în jurul aparatului.
- Verificați starea cablului de alimentare. Dacă este deteriorat, va crește riscul de șoc electric.
- Dacă carcasa aparatului se rupe, deconectați imediat aparatul de la rețea pentru a preveni posibilitatea unui șoc electric.
- Nu utilizați aparatul dacă a căzut, dacă există semne vizibile de defecțiune sau dacă prezintă scurgeri.
- Nu atingeți ștecherul cu mâinile ude.
- Aparatul trebuie să fie utilizat și așezat pe o suprafață plană și stabilă.
- Nu așezați aparatul pe suprafețe fierbinți, cum ar fi plăci de gătit, arzătoare cu gaz, cuptoare sau altele similare.
- Aveți grijă să evitați pornirea involuntară a aparatului.
- Nu lăsați aparatul în ploaie sau expus la umezeală. În cazul în care se infiltrează apă în interiorul aparatului, riscul de electrocutare va crește.

UTILIZARE ȘI ÎNGRIJIRE

- Desfășurați complet cablul de alimentare al aparatului înainte de fiecare utilizare.
- Nu utilizați aparatul dacă accesoriile sale nu sunt montate corespunzător.
- Nu utilizați aparatul dacă accesoriile atașate la acesta sunt defecte. Înlocuiți-le imediat.
- Nu porniți aparatul fără apă.
- Nu utilizați aparatul dacă întreprupătorul de pornire/oprire nu funcționează.
- Nu răsturnați aparatul în timp ce este utilizat sau conectat la rețeaua electrică.
- Respectați nivelurile MAX și MIN.
- Deconectați aparatul de la rețeaua electrică atunci când nu este utilizat și înainte de a întreprinde orice operațiune de curățare.
- Depozitați acest aparat în afara razei de acțiune a copiilor și/sau a persoanelor cu deficiențe fizice, senzoriale sau mentale reduse sau cu lipsă de experiență și cunoștințe.

- Folosiți numai apă cu aparatul.
- Se recomandă utilizarea de apă minerală îmbuteliată adaptată pentru consumul uman.
- În timpul preparării cafelei, nu scoateți suportul de filtru, deoarece în acel moment acesta este sub presiune.

DESCRIERE

A	Butoane de control
A1	Buton de pornire/oprire
A2	Buton de 1 cană
A3	Buton pentru 2 căni
A4	Buton de încălzire cu abur
B	Buton de abur
C	Capacul rezervorului de apă
D	Rezervor de apă
E	Țeavă de abur
F	Mâner de țeavă de abur
G	Suport de filtru
H	Filtru
H1	Filtru de cafea măcinată (1 ceașcă)
H2	Filtru de cafea măcinată (2 cești)
I	Tavă de picurare
J	Grătar cu tavă
K	Lingură de măsurat

În cazul în care modelul aparatului dumneavoastră nu dispune de accesoriile descrise mai sus, acestea pot fi achiziționate separat de la Serviciul de Asistență Tehnică.

INSTRUCȚIUNI DE UTILIZARE

ÎNAINTE DE UTILIZARE

- Asigurați-vă că toate ambalajele produsului au fost îndepărtate.
- Vă rugăm să citiți cu atenție broșura "Sfaturi de siguranță și avertismente" înainte de prima utilizare.
- Înainte de a utiliza produsul pentru prima dată, vă recomandăm să îl folosiți doar cu apă.
- Înainte de a utiliza produsul pentru prima dată, curățați părțile care vor intra în contact cu cafeaua și apa în modul descris în secțiunea "Curățare".

UMPLEREA CU APĂ

- Trebuie să umpleți compartimentul de apă înainte de a porni aparatul.
- Scoateți rezervorul de apă de la locul său.
- Deschideți capacul.
- Umpleți recipientul având grijă să respectați nivelurile MAX și MIN.
- Închideți capacul.
- Puneți rezervorul de apă înapoi în carcasa sa, asigurându-vă că este introdus corect.
- NOTĂ: Nu este obligatoriu să scoateți rezervorul de apă. Chiar și așa, dacă se face, asigurați-vă că este așezat corect după umplere.

UMPLEREA CU CAFEA

- Scoateți suportul filtrului, rotindu-l în sensul acelor de ceasornic.
- Cu ajutorul lingurii de măsurat, puneți în filtru pudra de cafea compatibilă cu mașinile de espresso. 1 lingură pentru 1 cană, 2 linguri pentru 2 căni. (6-7 g per ceașcă de preparat).
- Apoi, apăsați ușor cafeaua măcinată cu dosul lingurii.
- Montați din nou suportul filtrului în aparat.
- NOTĂ: Verificați dacă suportul de filtru este montat corect după încărcare.

USE

- Conectați aparatul la rețeaua electrică.
- Porniți butonul de pornire/oprire. Lumina inelară de pe butoane va începe să clipească, indicând că aparatul de cafea se preîncălzește.
- Odată ce nu mai clipește, aparatul de cafea va intra în poziția încălzită și va fi gata să prepare cafeaua preferată.

PREGĂTIREA UNEI CAFELE

- Urmați pașii indicați anterior, în funcție de o ceașcă de umplură de cafea pudră.
- După ce suportul pentru filtru este la locul său, apăsați butonul pentru 1 cană.
- Aparatul de cafea se va opri automat după ce cafeaua este preparată.

PREPARAREA A DOUĂ CAFELE

- Urmați pașii indicați anterior, în funcție de două cești de umplură de cafea pudră.
- După ce suportul de filtru este la locul său, apăsați butonul 2-cup.
- Aparatul de cafea se va opri automat după ce ambele cafele sunt pregătite.

APĂ CALDĂ

- Din poziția încălzită, așezați o ceașcă sub tubul de abur.
- Deschideți butonul de abur, rotindu-l în sens invers acelor de ceasornic. Va începe să iasă apă caldă.
- Pentru a încheia, închideți sistemul de apă prin rotirea butonului în sens invers.

SPUMĂ DE LAPTE

- Din poziția încălzită, apăsați butonul de abur. Acesta va începe să clipească.
- Odată ce butonul nu mai clipește, aparatul va fi gata să producă abur uscat.
- Așezați o ceașcă cu lapte sub țeava de abur și introduceți țeava de abur până când ieșirea este aproape de fundul ceștii.
- Deschideți butonul de abur, rotindu-l în sens invers acelor de ceasornic. Se va auzi zgomotul aburului care iese.
- Reglați temperatura atingând ceașca, iar când vedeți că este gata, închideți butonul de abur.
- NOTĂ: După aburire, dacă doriți să reveniți la extragerea cafelei, apăsați butonul pentru una sau două cafele și reduceți presiunea, urmând pașii din secțiunea "Apă caldă" din acest manual. Eliberarea unei cantități de apă va scădea temperatura și va reduce presiunea.

SETAREA CANTITĂȚII DE CAFEA

- Puteți seta durata pentru cele două funcții electronice ale acestui aparat de cafea (prepararea unei cafele sau a două cafele).
- Pentru a face acest lucru, pregătiți aparatul în funcție de funcția pe care doriți să o configurați.
- Apăsați butonul funcției pe care doriți să o configurați timp de 3 secunde.
- Veți vedea că celelalte butoane nu se mai aprind.
- Nu uitați să plasați un pahar sub suportul filtrului.
- Apăsați din nou butonul pentru a începe setarea.
- Când ajungeți la durata dorită, apăsați din nou pentru a înregistra suma.

FUNCȚIA STAND-BY

- Pentru a economisi energie, aparatul trece în stand-by după 25 de minute dacă utilizatorul nu îl folosește.
- Când aparatul intră în funcția de așteptare, butonul On/Off va continua să clipească încet.
- Dacă doriți să reporniți aparatul, puteți apăsa oricare dintre cele trei butoane.

DUPĂ CE AȚI TERMINAT DE UTILIZAT APARATUL

- Porniți aparatul cu ajutorul întrerupătorului pornit/oprit. Deconectați aparatul de la rețeaua electrică.

- Lăsați aparatul să se răcească.
- Curățați aparatul.

PROTECTOR TERMIC DE SIGURANȚĂ

- Aparatul este prevăzut cu un dispozitiv de siguranță care protejează aparatul de supraîncălzire.
- Atunci când aparatul se pornește și se oprește în mod repetat, din alte motive decât controlul termostatului, verificați dacă nu există obstacole care să împiedice intrarea sau evacuarea corectă a aerului.
- Dacă aparatul se oprește singur și nu se pornește din nou, deconectați-l de la rețeaua de alimentare și așteptați aproximativ 15 minute înainte de a-l reconecta. Dacă mașina nu pornește din nou, solicitați asistență tehnică autorizată.

CURĂȚARE

- Deconectați aparatul de la rețea și lăsați-l să se răcească înainte de a întreprinde orice operațiune de curățare.
- Curățați echipamentul cu o cârpă umedă cu câteva picături de detergent și apoi uscați-l.
- Nu utilizați solvenți sau produse cu un pH acid sau bazic, cum ar fi înălbitorul, sau produse abrazive pentru curățarea aparatului.
- Nu lăsați apa sau orice alt lichid să pătrundă în orificiile de aerisire pentru a evita deteriorarea părților interioare ale aparatului.
- Următoarele piese pot fi spălate în mașina de spălat vase (folosind un program de curățare moale) sau în apă caldă cu săpun:
 - Lingură de măsurat
 - Rezervor de apă
 - Capacul rezervorului de apă
 - Filtre
 - Tavă de picurare
 - Grătar cu tavă

- Poziția de scurgere/uscare a articolelor care pot fi spălate în mașina de spălat vase sau în chiuvetă trebuie să permită scurgerea ușoară a apei.
- Apoi uscați toate piesele înainte de asamblare și depozitare.

CUM SĂ VĂ OCUPAȚI DE INCRUSTAȚIILE DE CALCAR

- Pentru ca aparatul să funcționeze corect, acesta trebuie să fie lipsit de calcar sau de incrustații de magneziu cauzate de utilizarea apei dure.
- Pentru a preveni acest tip de problemă, recomandăm utilizarea apei cu mineralizare scăzută.

- Acest aparat de cafea trebuie decalcificat după 500 de cicluri. Acest timp este orientativ și vă recomandăm următoarele:

- La fiecare 10 săptămâni, dacă apa este "foarte dură".
- La fiecare 17 săptămâni, dacă apa este "dură".

- Nu se recomandă soluții făcute în casă pentru detartrarea acestui aparat, cum ar fi utilizarea oțetului.

DEPANARE

- Orice utilizare necorespunzătoare sau nerespectarea instrucțiunilor de utilizare face ca garanția și răspunderea producătorului să devină nulă și neavenită.

ANOMALII ȘI REPARAȚII

- Dacă apar probleme, duceți aparatul la un serviciu de asistență tehnică autorizat. Nu încercați să-l demontați sau să-l reparați fără ajutor, deoarece poate fi periculos.

GARANȚIE ȘI ASISTENȚĂ TEHNICĂ

Acest produs se bucură de recunoașterea și protecția garanției legale în conformitate cu legislația în vigoare. Pentru a vă pune în aplicare drepturile sau interesele, trebuie să mergeți la oricare dintre serviciile noastre oficiale de asistență tehnică.

Puteți găsi cel mai apropiat accesând următorul link web: <https://www.blackanddecker.eu//>

De asemenea, puteți solicita informații aferente contactându-ne.

Puteți descărca acest manual de instrucțiuni și actualizările acestuia la <https://www.blackanddecker.eu//>

PENTRU VERSIUNILE UE ALE PRODUSELOR ȘI/SAU ÎN CAZUL ÎN CARE ESTE OBLIGATORIU ÎN ȚARA DVS ECOLOGIE ȘI RECICLAREA PRODUSULUI

- Materialele din care este alcătuit ambalajul acestui produs sunt incluse într-un sistem de colectare, clasificare și reciclare. Dacă doriți să le aruncați, vă rugăm să folosiți pubelele publice corespunzătoare fiecărui tip de material.
- Produsul nu conține substanțe în concentrații care ar putea fi considerate ca dăunătoare pentru mediu.



Acest simbol înseamnă că, în cazul în care doriți să aruncați aparatul la încheierea duratei sale de funcționare, trebuie să-l duceți la un centru de colectare a deșeurilor autorizat, în vederea colectării selective a deșeurilor de echipamente electrice și electronice (WEEE).

- Acest aparat respectă Directiva 2014/35/EU cu privire la echipamentele electrice destinate utilizării în cadrul

unor anumite limite de tensiune, Directiva 2014/30/EU cu privire la compatibilitatea electromagnetică, Directiva 2011/65/EU privind restricțiile de utilizare a anumitor substanțe periculoase în echipamentele electrice și electronice, precum și Directiva 2009/125/EC de instituire a unui cadru pentru stabilirea cerințelor în materie de proiectare ecologică aplicabile produselor cu impact energetic.

- Informații privind substanțele care prezintă motive de îngrijorare deosebită (SVHC) în conformitate cu Regulamentul 1907/2006/CE (REACH). Acest produs conține următoarele substanțe SVHC:

- Plumb (Pb), Număr CAS: 7439-92-1
- Cadmiu (Cd), Număr CAS: 7440-43-9

Black & Decker® și BLACK+DECKER™ și siglele Black & Decker® și BLACK+DECKER™ sunt mărci comerciale înregistrate ale The Black & Decker® Corporation și sunt utilizate sub licență. Toate drepturile rezervate. Importat și distribuit de ENGINEERING AND TECHNOLOGY FOR LIFE, SL Avda. Barcelona s/n Oliana, 25790, Spain

**КАФЕМАШИНА ЗА ЕСПРЕСО
ВХСО1350Е**

Уважаеми клиенти,

Много благодарим, че избрахте да закупите продукт на марката Black+Decker.

Технологията, дизайнът и функционалността на същия, както и фактът, че той надвишава най-стриктните норми за качество ще Ви донесат пълно и дълготрайно задоволство от него.

СЪВЕТИ И ПРЕДУПРЕЖДЕНИЯ ЗА БЕЗОПАСНОСТ

- Прочетете внимателно тези инструкции, преди да включите уреда, и ги запазете за бъдещи справки. Несъобразяването с настоящите указания може да стане причина за произшествие.
 - Този уред може да се използва от хора, които не са свикнали да боравят с него, хора с увреждания или деца на възраст над 8 години, ако са били наблюдавани или инструктирани относно използването на уреда по безопасен начин и разбират свързаните с това опасности. Почистването и поддръжката от страна на потребителя не трябва да се извършват от деца, освен ако те не са на възраст над 8 години и не са под надзор. Дръжте уреда и неговия кабел далеч от обсега на деца под 8 години.
 - Този уред може да се използва от хора с намалени физически, сетивни или умствени способности или липса на опит и познания, ако са били наблюдавани
- или инструктирани относно използването на уреда по безопасен начин и разбират свързаните с това опасности.
- Наблюдавайте децата, така че да не си играят с уреда.
 - Преди употреба почистете всички части на продукта, които ще бъдат в контакт с кафе или вода, както е посочено в раздел “Почистяване”.
 - Този уред не трябва да се потапя във вода или друга течност.
 - Избягвайте разливане на информация върху конектора.
 - Повърхността на нагревателния елемент е подложена на остатъчна топлина след употреба.
 - **ВНИМАНИЕ:** Неправилното използване на този уред може да доведе до потенциални наранявания. По време на почистването трябва да се внимава.
 - Кафемашината не трябва да се поставя в шкаф, когато се използва.
 - В случай, че захранващият кабел е повреден, същият следва да бъде заменен от производителя, от службата за поддръжка или подобен квалифициран персонал, с цел да бъде избегнато произшествие.
 - Този уред е предназначен за използване в домакинството и подобни приложения, като например:

- кухненски помещения за персонала в магазини, офиси и други работни помещения;
- ферми;
- от клиенти в хотели, мотели и други жилищни помещения;
- места за настаняване и закуска

- Преди включване на уреда към мрежата, уверете се, че посоченият на табелката волтаж с характеристиките съпада с волтажа на мрежата.
- Свържете уреда към електрически контакт с мощност най-малко 10 ампера.
- Щепселът на уреда следва да съпада по вид с електрическия контакт. В никакъв случай не променяйте вида на щепсела. Не използвайте адаптори за щепсела.
- Не използвайте уреда, ако захранващият кабел или щепселът са повредени.
- Не дърпайте захранващия кабел. В никакъв случай не използвайте електрическия кабел за повдигане, пренасяне или изключване на апарата.
- Не навивайте електрическия кабел около уреда.
- Проверете състоянието на захранващия кабел. Ако тя е повредена, това ще увеличи риска от токов удар.
- Ако корпусът на уреда се счупи, незабавно изключете уреда от електрическата мрежа, за да предотвратите възможността от токов удар.
- Моля не използвайте уреда, ако е падал или ако има видими следи от увреждане.
- Не докосвайте щепсела за включване в мрежата с мокри ръце.
- Уредът трябва да се използва и да се поставя върху равна, стабилна повърхност.
- Не поставяйте уреда върху горещи повърхности, като котлони, газови котлони, фурни или подобни.
- Внимавайте да избегнете неволно стартиране на уреда.
- Не излагайте уреда на дъжд и влага. Водата, проникнала в уреда повишава риска от токов удар.

УПОТРЕБА И ГРИЖИ

- Преди всяка употреба развивайте напълно захранващия кабел на уреда.
- Не използвайте уреда, ако принадлежностите му не са правилно монтирани.
- Не използвайте уреда, ако прикрепените към него аксесоари са дефектни. Незабавно ги сменете.

- Не включвайте уреда без вода.
- Не използвайте уреда, ако превключвателят за включване/изключване не работи.
- Не обръщайте уреда, докато се използва или е включен към електрическата мрежа.
- Спазвайте нивата MAX и MIN.
- Изключете уреда от електрическата мрежа, когато не го използвате и преди да започнете почистване.
- Съхранявайте този уред на място, недостъпно за деца и/или лица с физически, сензорни или умствени увреждания или с липса на опит и познания.
- Използвайте само вода с уреда.
- Препоръчва се използването на бутилирана минерална вода, пригодена за консумация от човека.
- Когато се приготвя кафе, не изваждайте държача на филтъра, тъй като в този момент той е под налягане.

ОПИСАНИЕ

- A Бутони за управление
 - A1 Бутон за включване/изключване
 - A2 Бутон за 1 чаша
 - A3 Бутон за 2 чаши
 - A4 Бутон за загреване на парата
- B Ръкохватка за пара
- C Капак на резервоара за вода
- D Резервоар за вода
- E Парна тръба
- F Дръжка на тръбата за пара
- G Държач на филтъра
- H Филтър
 - H1 Филтър за смляно кафе (1 чаша)
 - H2 Филтър за смляно кафе (2 чаши)
- I Тавичка за оттичане
- J Грил за тава
- K Измервателна лъжица

Ако моделът на вашия уред не разполага с описаните по-горе аксесоари, те могат да бъдат закупени отделно от службата за техническа помощ.

ИНСТРУКЦИИ ЗА УПОТРЕБА ПРЕДИ УПОТРЕБА

- Уверете се, че всички опаковки на продукта са отстранени.

- Моля, прочетете внимателно брошурата "Съвети и предупреждения за безопасност" преди първата употреба.
- Преди да използвате продукта за първи път, препоръчваме да го пуснете само с вода.
- Преди да използвате продукта за първи път, почистете частите, които ще влязат в контакт с кафе и вода, по начина, описан в раздел "Почистване".

ПЪЛНЕНЕ С ВОДА

- Преди да включите уреда, трябва да напълните отделението за вода.
- Извадете резервоара за вода от мястото му.
- Отворете капака.
- Напълнете съда, като внимавате да спазвате нивата MAX и MIN.
- Затворете капака.
- Поставете резервоара за вода обратно в корпуса му, като се уверите, че е поставен правилно.
- ЗАБЕЛЕЖКА: Не е задължително да се отстранява резервоарът за вода. Ако все пак е направено, уверете се, че е поставено правилно, след като го напълните.

ПЪЛНЕНЕ С КАФЕ

- Извадете държача на филтъра, като го завъртите по посока на часовниковата стрелка.
- С помощта на мерителната лъжица поставете кафе на прах, съвместимо с машините за еспreso, във филтъра. 1 лъжица за 1 чаша, 2 лъжици за 2 чаши. (6-7 г на чаша за приготвяне).
- След това леко натиснете смляното кафе с обратната страна на лъжицата.
- Поставете още веднъж държача на филтъра в уреда.
- ЗАБЕЛЕЖКА: Проверете дали държачът на филтъра е правилно поставен след зареждане.

ИЗПОЛЗВАЙТЕ

- Свържете уреда към електрическата мрежа.
- Включете бутона за включване/изключване. Светлинният пръстен на бутоните ще започне да мига, което показва, че кафемашината е в процес на предварително загряване.
- След като те престанат да мигат, кафемашината ще влезе в положение на загряване и ще бъде готова да приготи предпочитаното от вас кафе.

ПРИГОТВЯНЕ НА ЕДНО КАФЕ

- Следвайте посочените преди това стъпки в съответствие с пълнежа на една чаша кафе на прах.

- След като поставят държача на филтъра на мястото му, натиснете бутона за 1 чаша.
- Кафемашината ще спре автоматично, след като кафето е приготвено.

ПРИГОТВЯНЕ НА ДВЕ КАФЕТА

- Следвайте посочените преди това стъпки в съответствие с две чаши пълнеж от кафе на прах.
- След като държачът на филтъра е поставен на мястото си, натиснете бутона за 2 чаши.
- Кафемашината ще спре автоматично, след като се приготвят и двете кафета.

ГОРЕЩА ВОДА

- В загрята позиция поставете чаша под тръбата за пара.
- Отворете копчето за пара, като го завъртите обратно на часовниковата стрелка. Ще започне да излиза гореща вода.
- За да приключите, затворете водната система, като завъртите копчето в обратна посока.

РАЗПЕНВАНЕ НА МЛЯКОТО

- В загрята позиция натиснете бутона за пара. Тя ще започне да мига.
 - След като бутонът спре да мига, машината е готова да произвежда суха пара.
 - Поставете чаша с мляко под тръбата за пара и въведете тръбата за пара, докато изходът е почти на дъното на чашата.
 - Отворете копчето за пара, като го завъртите обратно на часовниковата стрелка. Ще се чуе шумът от излизащата пара.
 - Регулирайте температурата, като докоснете чашата, и когато видите, че е готова, затворете копчето за пара.
 - ЗАБЕЛЕЖКА: Ако искате да се върнете към екстракцията на кафе, след като сте направили парата, натиснете бутона за едно или две кафета и намалете налягането, като следвате стъпките в раздела "Гореща вода" на това ръководство. Изпускането на малко вода ще понижи температурата и ще намали налягането.
- ### НАСТРОЙКА НА КОЛИЧЕСТВОТО КАФЕ
- Можете да зададете продължителността на двете електронни функции на тази кафемашина (приготвяне на едно или две кафета).
 - За целта подгответе машината в съответствие с функцията, която искате да настроите.
 - Натиснете бутона на функцията, която искате да настроите, за 3 секунди.

- Ще видите, че другите бутони спират да светят.
- Не забравяйте да поставите чаша под държача на филтъра.
- Натиснете отново бутона, за да стартирате настройката.
- Когато достигнете желаната продължителност, натиснете отново, за да запишете сумата.

ФУНКЦИЯ STAND-BY

- За да се пести енергия, уредът преминава в режим на готовност след 25 минути, ако потребителят не го използва.
- Когато уредът преминава в режим на готовност, бутонът за включване/изключване ще продължи да мига бавно.
- Ако искате да рестартирате машината, можете да натиснете някой от трите бутона.

СЛЕД КАТО ПРИКЛЮЧИТЕ С ИЗПОЛЗВАНЕТО НА УРЕДА

- Включете уреда с помощта на превключвателя за включване/изключване. Изключете уреда от електрическата мрежа.
- Оставете уреда да изстине.
- Почистете уреда.

ЗАЩИТЕН ТЕРМОЗАЩИТЕН ЕЛЕМЕНТ

- Уредът е снабден с предпазно устройство, което го предпазва от прегряване.
- Когато уредът се включва и изключва многократно по причини, различни от управлението на термостата, проверете дали няма препятствия, които пречат на правилното влизане или излизане на въздуха.
- Ако уредът се самоизключи и не се включи отново, изключете го от електрическата мрежа и изчакайте около 15 минути, преди да го включите отново. Ако машината не се стартира отново, потърсете оторизирана техническа помощ.

ПОЧИСТВАНЕ

- Изключете уреда от електрическата мрежа и го оставете да изстине, преди да започнете почистване.
- Почистете оборудването с влажна кърпа с няколко капки течност за миене на съдове и след това го подсушете.
- Не използвайте разтворители или продукти с киселинно или основно рН, като белина, или абразивни продукти за почистване на уреда.

- Не позволявайте на вода или друга течност да попадне във вентилационните отвори, за да не се повредят вътрешните части на уреда.
- Следните части могат да се мият в съдомиялна машина (с програма за меко почистване) или в гореща вода със сапун:

- Измервателна лъжица
- Резервоар за вода
- Капак на резервоара за вода
- Филтри
- Тавичка за оттичане
- Грил за тава

- Мястото за оттичане/сушене на изделията, които могат да се мият в съдомиялна машина или в мивка, трябва да позволява лесно оттичане на водата.
- След това подсушете всички части преди събирането и съхранението им.

КАК ДА СЕ СПРАВИТЕ С ВАРОВИКОВИТЕ ОТЛАГАНИЯ

- За да работи правилно, уредът трябва да се поддържа без варовикови или магнезиеви отлагания, причинени от използването на твърда вода.
- За да предотвратите подобен проблем, препоръчваме използването на вода с ниска минерализация.
- Тази кафемашина трябва да се почисти от котлен камък след 500 цикъла. Това време е ориентировъчно и ние препоръчваме следното:

- На всеки 10 седмици, ако водата е "много твърда".
- На всеки 17 седмици, ако водата е "твърда".

- Не се препоръчват домашно приготвени решения за отстраняване на котлен камък от този уред, като например използването на оцет.

СЕРВИС

- Всяка неправилна употреба или неспазване на инструкциите за употреба води до отпадане на гаранцията и отговорността на производителя.

НЕИЗПРАВНОСТИ И РЕМОТ

- В случай на неизправност, моля отнесете уреда в оторизиран сервиз за техническо обслужване. Моля не се опитвайте да разглобявате уреда или пък да го поправяте - това е опасно.

ГАРАНЦИЯ И ТЕХНИЧЕСКА ПОМОЩ

- Кадмий (Cd), CAS номер: 7440-43-9

Този продукт се ползва с признаването и защитата на правната гаранция в съответствие с действащото законодателство. За да защитите своите права или интереси, трябва да отидете до някоя от нашите официални служби за техническа помощ.

Можете да намерите най-близкия от тях, като влезете в следната интернет връзка: <https://www.blackanddecker.eu/>

Можете също да поискате свързана информация, като се свържете с нас.

Можете да изтеглите това ръководство за употреба и неговите актуализации на адрес <https://www.blackanddecker.eu/>

Black & Decker® и BLACK+DECKER™ и логата на Black & Decker® и BLACK+DECKER™ са регистрирани търговски марки на The Black & Decker® Corporation и се използват с лиценз. Всички права запазени. Внася се и се разпространява от ENGINEERING AND TECHNOLOGY FOR LIFE, SL Avda. Barcelona s/n Oliana, 25790, Spain

ЗА РАЗНОВИДНОСТИТЕ EU НА ТОВА ИЗДЕЛИЕ И/ИЛИ В СЛУЧАЯ, ПРИЛОЖИМ ЗА ВАШАТА СТРАНА ОПАЗВАНЕ НА ОКОЛНАТА СРЕДА И РЕЦИКЛИРАНЕ НА ИЗДЕЛИЕТО.

- Материалите, от които изработена опаковката на този електроуред са включени в системата за тяхното събиране, класифициране и рециклиране. Ако желаете да се освободите от тях, използвайте обществените контейнери, пригодени за всеки отделен вид материал.
- В изделието отсъстват концентрации на вещества, които могат да бъдат определени като вредни за околната среда.



Този символ означава, че ако желаете да се освободите от уреда, след като експлоатационният му живот е изтекъл, трябва да го предадете по подходящ начин на фирма за преработка на отпадъци, оторизирана за разделно събиране на

относно отпадъци от електрическо и електронно оборудване (ОЕЕО).

- Настоящият уред изпълнява Директива 2014/35/EU за ниски напрежения, Директива 2014/30/EU за електромагнитно съответствие и с Директива 2011/65/EU за ограниченията при употреба на някои определени опасни вещества в електрически и електронни апарати и с Директива 2009/125/EC за изискванията за екологичен дизайн, приложими към изделия, свързани с енергия.
- Информация относно вещества, пораждащи сериозно безпокойство (SVHC), съгласно Регламент 1907/2006/EO (REACH). Този продукт съдържа следните вещества SVHC:

- Олово (Pb), CAS номер: 7439-92-1

**CAFETERA EXPRESSO
BXCO1350E**

Benvolgut client,

Moltes gràcies per triar comprar un producte de la marca Black+Decker.

La seva tecnologia, el seu disseny i la seva funcionalitat, així com el fet de superar les normes de qualitat més estrictes, us comportaran una satisfacció total durant molt de temps.

CONSELLS I ADVERTIMENTS DE SEGURETAT

- Llegiu atentament aquest full d'instruccions abans d'engegar l'aparell i conserveu-lo per a consultes posteriors. No observar i incomplir aquestes instruccions pot tenir com a resultat un accident.
- Aquest aparell el poden fer servir nens de més de 8 anys i persones amb capacitats físiques, sensorials o mentals reduïdes o falta d'experiència i coneixement, sempre que tinguin una supervisió o una formació adequada per fer servir l'aparell d'una manera segura i entenguin els riscos que implica. La neteja i el manteniment de l'usuari no l'han de fer els nens tret que siguin majors de 8 anys i estiguin supervisats. Mantingueu l'aparell i el seu cordó fora de l'abast dels nens de menys de 8 anys.
- Aquest aparell el poden fer servir persones amb capacitats físiques, sensorials o mentals reduïdes o falta d'experiència i coneixement, sempre que tinguin una supervisió o una formació adequada per fer servir l'aparell d'una manera segura i entenguin els riscos que implica.
- Els nens han d'estar sota vigilància per assegurar que no juguin amb l'aparell.
- Netegeu totes les parts del producte que estaran en contacte amb el cafè o l'aigua, tal com s'indica a l'apartat «Neteja», abans del seu ús.
- Aquest aparell no s'ha de submergir en aigua o cap altre líquid.
- Eviteu vessaments en el connector.
- La superfície de l'element de calefacció està subjecta a la calor residual després de l'ús.
- **PRECAUCIÓ:** Un mal ús d'aquest aparell pot provocar possibles lesions. S'ha de tenir cura durant la neteja.
- Mentre l'estigueu fent servir, no hauríeu de tenir la cafetera en un armari.
- Si el cable d'alimentació està malmès, ha de ser substituït pel fabricant, pel servei postvenda o per personal qualificat similar per tal d'evitar qualsevol perill.
- Aquest aparell està pensat per ser utilitzat en aplicacions domèstiques i similars, com ara:
 - zones de cuina del personal en botigues, oficines i altres entorns de treball;
 - masies;
 - per clients en hotels, motels i altres entorns de tipus residencial;
 - entorns tipus bed and breakfast

- Abans d'endollar l'aparell a la xarxa, comproveu que el voltatge indicat a la placa de característiques coincideix amb el voltatge de xarxa.
- Connecteu l'aparell a una presa de corrent amb una potència mínima de 10 amperes.
- L'endoll de l'aparell ha de coincidir amb la base elèctrica de la presa de corrent. Mai modifiqueu l'endoll. No feu servir adaptadors de corrent.
- No utilitzeu l'aparell si el cable d'alimentació o l'endoll està danyat.
- No estireu del cable d'alimentació. No feu servir mai el cable elèctric per aixecar, transportar o desendollar l'aparell.
- No enrotlleu el cable elèctric de connexió al voltant de l'aparell.
- Comproveu l'estat del cable d'alimentació. Si està danyat, augmentarà el risc de descàrrega elèctrica.
- Si la carcassa de l'aparell es trenca, desendol·leu-lo immediatament de la xarxa per evitar la possibilitat de patir un xoc elèctric.
- No feu servir l'aparell si ha caigut, si hi ha senyals visibles de danys o si hi ha una fuga.
- No toqueu l'endoll de connexió amb les mans molles.
- L'aparell s'ha d'utilitzar i col·locar sobre una superfície plana i estable.
- No col·loqueu l'aparell sobre superfícies calentes, com ara plaques de cocció, cremadors de gas, forns o similars.
- Tingueu cura d'evitar engegar l'aparell involuntàriament.
- No exposeu l'aparell a la pluja o a condicions d'humitat. L'aigua que entri a l'aparell augmentarà el risc de xoc elèctric.

ÚS I MANTENIMENT

- Desenrotlleu completament el cable d'alimentació de l'aparell abans de cada ús.
- No utilitzeu l'aparell si els seus accessoris no estan ben col·locats.
- No utilitzeu l'aparell si els accessoris que hi ha connectats són defectuosos. Substituiu-los immediatament.
- No engegueu l'aparell sense aigua.
- No utilitzeu l'aparell si l'Interruptor d'engegada / aturada no funciona.
- No gireu l'aparell mentre estigui en ús o connectat a la xarxa.
- Respecteu els nivells MAX i MIN.
- Desconnecteu l'aparell de la xarxa elèctrica quan no s'utilitzi i abans de realitzar qualsevol tasca de neteja.

- Guardeu aquest aparell fora de l'abast dels nens i/o persones amb problemes físics, sensorials o mentals reduïts o amb manca d'experiència i coneixements.
- Amb aquest aparell només heu de fer servir aigua.
- Es recomana l'ús d'aigua mineral embotellada adaptada per al consum humà.
- Quan s'està fent café, no traieu el porta filtres, ja que en aquell moment està sota pressió.

DESCRIPCIÓ

A	Botons de control
A1	Botó On/Off
A2	Botó d'1 tassa
A3	Botó de 2 tasses
A4	Botó de calefacció de vapor
B	Botó de vapor
C	Tapa del dipòsit d'aigua
D	Dipòsit d'aigua
E	Tub de vapor
F	Màncec del tub de vapor
G	Porta filtres
H	Filtre
H1	Filtre per al café mòlt (1 tassa)
H2	Filtre per al café mòlt (2 tasses)
I	Safata de goteig
J	Reixa de la safata
K	Cullera dosificadora

Si el model del vostre aparell no disposa dels accessoris descrits anteriorment, també es poden comprar per separat al Servei d'Assistència Tècnica.

INSTRUCCIONS D'ÚS

ABANS DEL SEU ÚS

- Assegureu-vos que s'ha retirat tot l'embalatge del producte.
- Si us plau, llegiu atentament la secció «Consells de seguretat i advertències» abans del primer ús.
- Abans d'utilitzar el producte per primera vegada, recomanem fer-lo funcionar només amb aigua.
- Abans d'utilitzar el producte per primera vegada, netegeu les parts que entraran en contacte amb el café i l'aigua de la manera descrita a l'apartat «Neteja».

OMPLINT D'AIGUA

- Heu d'omplir el compartiment d'aigua abans d'encendre l'aparell.
- Extraieu el dipòsit d'aigua del seu lloc.
- Obriu la tapa.
- Ompliu el recipient tenint cura de respectar els nivells MAX i MIN.
- Tanqueu la tapa.
- Torneu a posar el dipòsit d'aigua a la seva carcassa, assegurant-vos que s'insereix correctament.
- **NOTA:** No és obligatori treure el dipòsit d'aigua. Tot i així, si ho feu, assegureu-vos que estigui col·locat correctament després d'omplir-lo.

OMPLINT DE CAFÈ

- Traieu el suport del filtre, girant-lo en sentit horari.
- Amb l'ajuda de la cullera mesuradora, col·loqueu cafè mòlt compatible amb màquines de cafè exprés al filtre. 1 cullerada per a 1 tassa, 2 cullerades per a 2 tasses. (6-7 g per tassa a preparar).
- A continuació, premeu lleugerament el cafè mòlt amb la part posterior de la cullera.
- Torneu a instal·lar el porta filtres a l'aparell.
- **NOTA:** Comproveu que el porta filtres estigui ben col·locat després de la càrrega.

ÚS

- Connecteu l'aparell a la xarxa.
- Activeu el botó On/Off. L'anell lluminós dels botons començarà a parpellejar, indicant que la màquina de cafè s'està preescalfant.
- Un cop deixin de parpellejar, la màquina de cafè entrarà en la posició d'escalfament i estarà a punt per preparar el vostre cafè preferit.

FER UN CAFÈ

- Seguiu els passos indicats abans, omplint de cafè per a una tassa.
- Un cop el porta filtres estigui al seu lloc, premeu el botó d'1 tassa.
- La màquina de cafè s'aturarà automàticament un cop s'hagi preparat el cafè.

FER DOS CAFÈS

- Seguiu els passos indicats abans, omplint de cafè per a dues tasses.
- Un cop el porta filtres estigui al seu lloc, premeu el botó de 2 tasses.
- La màquina de cafè s'aturarà automàticament un cop s'hagin preparat els dos cafès.

AIGUA CALENTA

- Des de la posició d'escalfament, col·loqueu una tassa sota el tub de vapor.
- Obriu el botó de vapor, girant-lo en sentit contrari a les agulles del rellotge. Començarà a sortir aigua calenta.
- Per finalitzar, tanqueu el sistema d'aigua girant el botó al revés.

ESCUMAT DE LLET

- Des de la posició d'escalfament, premeu el botó de vapor. Començarà a parpellejar.
- Quan el botó deixi de parpellejar, la màquina estarà preparada per fer vapor sec.
- Col·loqueu una tassa amb llet sota el tub de vapor i introduïu el tub de vapor fins que la sortida estigui gairebé al fons de la tassa.
- Obriu el botó de vapor, girant-lo en sentit contrari a les agulles del rellotge. Se sentirà el soroll del vapor que surt.
- Ajusteu la temperatura tocant la tassa i, quan la vegeu a punt, tanqueu el botó del vapor.
- **NOTA:** Després de fer servir el vapor, si voleu tornar a l'extracció del cafè, premeu el botó d'un o dos cafès i baixeu la pressió, seguint els passos de l'apartat "Aigua calenta" d'aquest manual. Alliberar una mica d'aigua reduirà la temperatura i alleujarà la pressió.

CONFIGURAR LA QUANTITAT DE CAFÈ

- Podeu configurar la durada de les dues funcions electròniques d'aquesta cafetera (fer un cafè o dos cafès).
- Per fer-ho, prepareu la màquina segons la funció que voleu configurar.
- Premeu el botó de la funció que voleu configurar durant 3 segons.
- Veureu que els altres botons deixen d'il·luminar-se.
- Recordeu col·locar una tassa sota el porta filtres.
- Premeu de nou el botó per iniciar la configuració.
- Quan arribeu a la durada desitjada, torneu a prémer per registrar la quantitat.

FUNCIÓ D'ESPERA

- Per tal d'estalviar energia, l'aparell passa a l'espera al cap de 25 minuts si l'usuari no l'utilitza.
- Quan l'aparell entra a la funció d'espera, el botó On/Off continuarà parpellejant lentament.
- Si voleu reiniciar la màquina, podeu prémer qualsevol dels tres botons.

UN COP HÀGIU ACABAT D'UTILITZAR L'APARELL

- Apagueu l'aparell amb el botó d'encesa/apagada. Desendolheu l'aparell de la xarxa.
- Deixeu refredar l'aparell.
- Netegeu l'aparell.

PROTECTOR TÈRMIC DE SEGURETAT

- L'aparell té un dispositiu de seguretat que protegeix l'aparell del sobreescalfament.
- Quan l'aparell s'encén i s'apagui repetidament, per causes diferents del control del termòstat, comproveu que no hi hagi cap obstacle que impedeixi la correcta entrada o expulsió d'aire.
- Si l'aparell s'apaga i no es torna a engegar, desconnecteu-lo de la xarxa elèctrica i espereu uns 15 minuts abans de tornar-lo a connectar. Si la màquina no torna a engegar, busqueu assistència tècnica autoritzada.

NETEJA

- Desconnecteu l'aparell de la xarxa i deixeu-lo refredar abans de realitzar qualsevol tasca de neteja.
- Netegeu l'equip amb un drap humit amb unes gotes de líquid per rentar i després assequeu-lo.
- No utilitzeu dissolvents o productes amb un pH àcid o base, com ara lleixiu, o productes abrasius, per netejar l'aparell.
- No deixeu que l'aigua o cap altre líquid entri a les sortides d'aire per evitar danys a les parts interiors de l'aparell.
- Les peces següents es poden rentar en un rentavaixelles (mitjançant un programa de neteja suau) o amb aigua calenta i sabó:
 - Cullera dosificadora
 - Dipòsit d'aigua
 - Tapa del dipòsit d'aigua
 - Filtres
 - Safata de goteig
 - Reixa de la safata
- La posició d'escorregut/assecat dels articles rentables al rentavaixelles o a l'aigüera ha de permetre que l'aigua s'esborri fàcilment.
- A continuació, eixugueu totes les peces abans del seu muntatge i emmagatzematge.

COM ACTUAR AMB LES INCRUSTACIONS DE CALÇ

- Perquè l'aparell funcioni correctament, s'ha de mantenir lliure de calç o incrustacions de magnesi provocades per l'ús d'aigua dura.
- Per evitar aquest tipus de problemes, recomanem l'ús d'aigua de baixa mineralització.

- Aquesta cafetera s'ha de descalcificar després de 500 cicles. Aquest temps és una pauta i us recomanem el següent:

- Cada 10 setmanes si l'aigua és "molt dura".
- Cada 17 setmanes si l'aigua és "dura".

- No es recomanen solucions casolanes per descalcificar aquest aparell, com ara l'ús de vinagre.

SERVEI

- L'ús inadequat o en desacord amb les instruccions d'ús pot comportar un perill i anul·lar la garantia i la responsabilitat de fabricant.

ANOMALIES I REPARACIÓ

- En cas d'avaria porteu l'aparell a un Servei d'Assistència Tècnica autoritzat. No intenteu desmuntar-lo ni reparar-lo, ja que hi pot haver perill.

GARANTIA I ASSISTÈNCIA TÈCNICA

Aquest producte gaudeix del reconeixement i protecció de la garantia legal d'acord amb la legislació vigent. Per fer valer els vostres drets o interessos, heu de dirigir-vos a qualsevol dels nostres serveis oficials d'assistència tècnica.

Podreu trobar el més proper accedint al següent enllaç web: <https://www.blackanddecker.eu/>

També podeu sol·licitar informació relacionada posant-vos en contacte amb nosaltres.

Podreu descarregar-vos aquest manual d'instruccions i les seves actualitzacions a <https://www.blackanddecker.eu/>

PER A LES VERSIONS EU DEL PRODUCTE I/O EN CAS QUE EL PAÍS HO APLIQUI ECOLOGIA I RECICLABILITAT DEL PRODUCTE

- Els materials que componen l'envàs d'aquest aparell estan integrats en un sistema de recollida, classificació i reciclatge. Si voleu desfer-vos-en, feu servir els contenidors públics adequats per a cada tipus de material.
- El producte està exempt de concentracions de substàncies que es puguin considerar perjudicials per al medi ambient.



Aquest símbol significa que, si us voleu desfer del producte, un cop exhaurida la seva vida, l'heu de dipositar, a través dels mitjans adequats, en mans d'un gestor de residus autoritzat per a la recollida selectiva de Residus d'Aparells Elèctrics i Electrònics (RAEE).

- Aquest aparell compleix amb la Directiva 2014/35/EU de baixa tensió, amb la Directiva 2014/30/EU de compatibilitat electromagnètica, amb la Directiva 2011/65/EU sobre restriccions a la utilització de determinades substàncies perilloses en aparells elèctrics i electrònics i amb la Directiva 2009/125/EC sobre els requisits de disseny ecològic aplicables als productes relacionats amb l'energia.
- Informació sobre substàncies molt preocupants (SVHC) segons el Reglament 1907/2006/CE (REACH). Aquest producte conté les següents substàncies SVHC:

- Plom (Pb), número CAS: 7439-92-1
- Cadmi (Cd), número CAS: 7440-43-9

Black & Decker® i BLACK+DECKER™ i els logotips de Black & Decker® i BLACK+DECKER™ són marques registrades de The Black & Decker® Corporation i s'utilitzen sota llicència. Tots els drets reservats. Importat i distribuït per ENGINEERING AND TECHNOLOGY FOR LIFE, SL Avda. Barcelona s/n Oliana, 25790, Espanya

ESPRESSO-KAFFEMASKINE
BXCO1350E

Kære kunde,

Mange tak, fordi du valgte at købe et Black+Decker-mærkeprodukt.

Takket være sin teknologi, design og drift og det faktum, at det overstiger de strengeste kvalitetsstandarder, kan en fuldt tilfredsstillende brug og lang produktlevetid sikres.

SIKKERHEDSRÅD OG ADVARSLER

- Læs denne vejledning omhyggeligt, før du tænder for apparatet, og gem den til senere brug. Manglende overholdelse og overholdelse af disse instruktioner kan føre til en ulykke.
- Dette apparat kan bruges af personer, der ikke er vant til håndtering, handicappede eller børn i alderen 8 år og derover, hvis de har fået tilsyn eller instruktion om brugen af apparatet på en sikker måde og forstår de involverede farer. Rengøring og brugervedligeholdelse må ikke udføres af børn, medmindre de er over 8 år og under opsyn. Opbevar apparatet og dets ledning utilgængeligt for børn under 8 år.
- Dette apparat kan anvendes af personer med nedsatte fysiske, sensoriske eller mentale evner eller manglende erfaring og viden, hvis de har fået tilsyn eller instruktion i sikker brug af apparatet og forstår de involverede farer.
- Børn skal overvåges for at sikre, at de ikke leger med apparatet.
- Rengør alle de dele af produktet, der kommer i kontakt med kaffe eller vand,

som angivet i afsnittet "Rengøring", før brug.

- Dette apparat må ikke nedsænkes i vand eller andre væsker.
- Undgå spild på stikket.
- Varmeelementets overflade er udsat for restvarme efter brug.
- ADVARSEL: Misbrug af dette apparat kan føre til potentielle skader. Der skal udvises forsigtighed under rengøringen.
- Kaffemaskinen må ikke placeres i et skab, når den er i brug.
- Hvis ledningen er beskadiget, skal den udskiftes af fabrikanten, dennes serviceagent eller en lignende kvalificeret person for at undgå fare.
- Dette apparat er beregnet til brug i husholdninger og lignende anvendelser som f.eks:
 - personalekøkkenområder i butikker, kontorer og andre arbejdsmiljøer;
 - farmhouses;
 - af kunder på hoteller, moteller og andre boliglignende miljøer;
 - Bed and Breakfast-miljøer
- Sørg for, at den spænding, der er angivet på klassificeringsetiketten, svarer til netspændingen, inden apparatet sættes i stikkontakten.
- Tilslut apparatet til en stikkontakt på mindst 10 ampere.
- Apparatets stik skal passe korrekt i stikkontakten. Du må ikke ændre stikket. Brug ikke stikadptere.
- Brug ikke apparatet, hvis ledningen eller stikket er beskadiget.
- Træk ikke i forsyningsledningen. Brug aldrig netledningen til at løfte apparatet op, bære eller tage stikket ud af stikkontakten.
- Sæt ikke netledningen rundt om apparatet.

- Kontroller forsyningsledningens tilstand. Hvis den er beskadiget, vil det øge risikoen for elektrisk stød.
- Hvis apparatets kabinet går i stykker, skal du straks afbryde apparatet fra lysnettet for at forhindre muligheden for elektrisk stød.
- Brug ikke apparatet, hvis det er faldet ned på gulvet, hvis der er synlige tegn på skader, eller hvis det har en lækage.
- Rør ikke ved stikket med våde hænder.
- Apparatet skal bruges og placeres på en flad, stabil overflade.
- Anbring ikke apparatet på varme overflader, såsom kogeplader, gasbrændere, ovne eller lignende.
- Sørg for at undgå at starte apparatet ufrivilligt.
- Lad ikke apparatet være ude i regnvejrr eller udsættes for fugt. Hvis der kommer vand ind i apparatet, vil dette øge risikoen for elektrisk stød.

BRUG OG PLEJE

- Rul apparatets forsyningsledning helt ud før hver brug.
- Brug ikke apparatet, hvis dets tilbehør ikke er korrekt monteret.
- Brug ikke apparatet, hvis det tilbehør, der er monteret på det, er defekt. Udskift dem med det samme.
- Tænd ikke for apparatet uden vand.
- Brug ikke apparatet, hvis tænd/sluk-knappen ikke virker.
- Vend ikke apparatet rundt, mens det er i brug eller tilsluttet strømmen.
- Respekter MAX- og MIN-niveauerne.
- Afbryd apparatet fra stikkontakten, når det ikke er i brug, og før du udfører rengøringsopgaver.
- Opbevar dette apparat uden for børns og/eller personers med fysisk, sensorisk eller nedsat mental kapacitet eller manglende erfaring og viden.
- Brug kun vand sammen med apparatet.
- Det anbefales at anvende mineralvand på flaske, der er egnet til konsum.
- Når der laves kaffe, må du ikke fjerne filterholderen, da den på det tidspunkt er under tryk.

BESKRIVELSE

- A Kontrolknapper
- A1 Tænd/sluk-knap
 - A2 1-kops knap
 - A3 2-kops knap
 - A4 Dampopvarmingsknap

- B Dampknap
- C Låg til vandtank
- D Vandtank
- E Damprør
- F Håndtag til damprør
- G Filterholder
- H Filter
 - H1 Malet kaffefilter (1 kop)
 - H2 Malet kaffefilter (2 kopper)
- I Drypbakke
- J Grillbakke
- K Måleske

Hvis din model af apparatet ikke har det ovenfor beskrevne tilbehør, kan det også købes separat hos den tekniske service.

BRUGSANVISNING

FØR BRUG

- Sørg for, at al produktets emballage er fjernet.
- Læs hæftet "Sikkerhedsråd og advarsler" omhyggeligt før første brug.
- Før du bruger produktet første gang, anbefaler vi, at du kun lader det løbe med vand.
- Før du bruger produktet første gang, skal du rengøre de dele, der kommer i kontakt med kaffe og vand, som beskrevet i afsnittet "Rengøring".

PÅFYLDNING MED VAND

- Du skal fylde vandbeholderen, før du tænder for apparatet.
- Fjern vandtanken fra dens plads.
- Åbn dækslet.
- Fyld beholderen op, idet du skal være opmærksom på MAX- og MIN-niveauerne.
- Luk låget.
- Sæt vandtanken tilbage i huset, og sørg for, at den er sat ordentligt i.
- BEMÆRK: Det er ikke obligatorisk at fjerne vandtanken. Hvis du alligevel gør det, skal du sørge for, at den er placeret korrekt, når du har fyldt den.

FYLDNING MED KAFFE

- Fjern filterholderen ved at dreje den med uret.
- Kom kaffepulver, der er kompatibelt med espressomaskiner, i filteret ved hjælp af måleskeen. 1

ske til 1 kop, 2 skeer til 2 kopper. (6-7 g pr. kop, der skal tilberedes).

- Tryk derefter den malede kaffe let ned med bagsiden af skeen.
- Sæt filterholderen i apparatet igen.
- BEMÆRK: Kontrollér, at filterholderen er monteret korrekt efter ilægning.

BRUG

- Tilslut apparatet til elnettet.
- Tænd/sluk-knappen. Ringlyset på knapperne begynder at blinke, hvilket indikerer, at kaffemaskinen er ved at forvarme.
- Når de holder op med at blinke, går kaffemaskinen i opvarmet position og er klar til at brygge din foretrukne kaffe.

LAV EN KOP KAFFE

- Følg de trin, der er angivet før, i henhold til en kop kaffepulverfyldning.
- Når filterholderen er på plads, skal du trykke på 1-kop-knappen.
- Kaffemaskinen stopper automatisk, når kaffen er brygget.

LAV TO KOPPER KAFFE

- Følg de trin, der er angivet før, i henhold til to kopper pulveriseret kaffefyld.
- Når filterholderen er på plads, skal du trykke på knappen til 2 kopper.
- Kaffemaskinen stopper automatisk, når begge kaffer er brygget.

VARMT VAND

- Fra den opvarmede position placeres en kop under damprøret.
- Åbn dampknappen ved at dreje den mod uret. Der vil begynde at komme varmt vand ud.
- Afslut med at lukke for vandtilførslen ved at dreje knappen baglæns.

SKUMNING AF MÆLK

- Tryk på dampknappen fra den opvarmede position. Den vil begynde at blinke.
- Når knappen holder op med at blinke, er maskinen klar til at lave tør damp.
- Placer en kop med mælk under damprøret, og før damprøret ind, indtil udløbet er næsten i bunden af koppen.
- Åbn dampknappen ved at dreje den mod uret. Lyden af dampen, der kommer ud, vil kunne høres.

- Juster temperaturen ved at røre ved koppen, og luk dampknappen, når du kan se, at den er klar.
- BEMÆRK: Hvis du vil vende tilbage til kaffeekstraktion efter dampning, skal du trykke på knappen for en eller to kopper kaffe og sænke trykket ved at følge trinnene i afsnittet "Varmt vand" i denne vejledning. Hvis man slipper lidt vand ud, sænkes temperaturen, og trykket lettes.

OPSÆTNING AF KAFFEMÆNGDEN

- Du kan indstille varigheden af de to elektroniske funktioner på denne kaffemaskine (lav én kaffe eller to kaffer).
- For at gøre dette skal du forberede maskinen i henhold til den funktion, du ønsker at indstille.
- Tryk på knappen for den funktion, du ønsker at indstille, i 3 sekunder.
- Du vil se, at de andre knapper holder op med at lyse.
- Husk at placere en kop under filterholderen.
- Tryk på knappen igen for at starte indstillingen.
- Når du når den ønskede varighed, skal du trykke igen for at registrere beløbet.

STANDBY-FUNKTION

- For at spare energi går apparatet på standby efter 25 minutter, hvis brugeren ikke bruger det.
- Når apparatet går i standby-funktion, blinker tænd/sluk-knappen langsomt.
- Hvis du vil genstarte maskinen, kan du trykke på en af de tre knapper.

NÅR DU ER FÆRDIG MED AT BRUGE APPARATET

- Tænd for apparatet med tænd/sluk-knappen. Tag stikket ud af stikkontakten.
- Lad apparatet køle af.
- Rengør apparatet.

TERMISK SIKKERHEDSBESKYTTER

- Apparatet er udstyret med en sikkerhedsanordning, der beskytter apparatet mod overophedning.
- Når apparatet tænder og slukker gentagne gange af andre årsager end termostatstyring, skal du kontrollere, at der ikke er nogen forhindringer, der hindrer korrekt luftind- eller udluftning.
- Hvis apparatet slukker af sig selv og ikke tænder af sig selv igen, skal du afbryde det fra strømforsyningen og vente i ca. 15 minutter, før du tilslutter det igen. Hvis maskinen ikke starter igen, skal du søge autoriseret teknisk assistance.

RENGØRING

- Tag apparatet ud af stikkontakten, og lad det køle af, før du udfører rengøringsopgaver.
- Rengør udstyret med en fugtig klud med et par dråber opvaskemiddel, og tør det derefter.
- Brug ikke opløsningsmidler eller produkter med en sur eller basisk pH-værdi, som f.eks. blegemiddel, eller slibemidler til rengøring af apparatet.
- Lad ikke vand eller andre væsker trænge ind i lufthullerne for at undgå skader på apparatets indre dele.
- Følgende dele kan vaskes i en opvaskemaskine (med et blødt rengøringsprogram) eller i varmt vand med sæbe:
 - Måleske
 - Vandtank
 - Låg til vandtank
 - Filtre
 - Drypbakke
 - Grillbakke
- Tømnings-/tørningspositionen for de artikler, der kan vaskes i opvaskemaskinen eller i vasken, skal gøre det muligt for vandet at løbe let væk.
- Tør derefter alle dele, før de samles og opbevares.

HVORDAN MAN HÅNTERER KALKAFLEJRINGER

- For at apparatet kan fungere korrekt, skal det holdes fri for kalk- eller magnesiumforekomster, der skyldes hårdt vand.
- For at undgå denne type problemer anbefaler vi, at der anvendes vand med lavt mineraliseringsindhold.
- Denne kaffemaskine skal afkalkes efter 500 cyklusser. Denne tid er en retningslinje, og vi anbefaler følgende:
 - Hver 10. uge, hvis vandet er "meget hårdt".
 - Hver 17. uge, hvis vandet er "hårdt".
- Hjemmelavede løsninger anbefales ikke til afkalkning af dette apparat, som f.eks. brug af eddike.

TJENESTE

- Enhver forkert anvendelse eller manglende overholdelse af brugsanvisningen medfører, at garantien og producentens ansvar bortfalder.

UREGELMÆSSIGHEDER OG REPARATION

- Tag apparatet til en autoriseret teknisk supporttjeneste, hvis der opstår problemer. Forsøg ikke at afmontere eller reparere uden hjælp, da dette kan være farligt.

GARANTI OG TEKNISK ASSISTANCE

Dette produkt nyder godt af anerkendelsen og beskyttelsen af den juridiske garanti i overensstemmelse med gældende lovgivning. For at håndhæve dine rettigheder eller interesser skal du gå til en af vores officielle tekniske assistenttjenester.

Du kan finde den nærmeste ved at gå ind på følgende link: <https://www.blackanddecker.eu/>

Du kan også anmode om relaterede oplysninger ved at kontakte os.

Du kan downloade denne brugsanvisning og dens opdateringer på <https://www.blackanddecker.eu/>

FOR EU-PRODUKTVERSIONER OG/ELLER I TILFÆLDE AF, AT DER ANMODES OM DET I DIT LAND ØKOLOGI OG GENANVENDELIGHED AF PRODUKTET

- De materialer, som emballagen til dette apparat består af, indgår i et indsamlings-, klassificerings- og genvindingssystem. Hvis du ønsker at bortskaffe dem, skal du bruge de relevante offentlige containere til hver type materiale.
- Produktet indeholder ikke koncentrationer af stoffer, der kan betragtes som skadelige for miljøet.



Dette symbol betyder, at hvis du ønsker at bortskaffe produktet, når dets levetid er ophørt, skal du tage det til et godkendt affaldsmiddel til selektiv indsamling af affald af elektrisk og elektronisk udstyr (WEEE).

- Dette apparat er i overensstemmelse med direktiv 2014/35/EU om lavspænding, direktiv 2014/30/EU om elektromagnetisk kompatibilitet, direktiv 2011/65/EU om begrænsning af anvendelsen af visse farlige stoffer i elektrisk og elektronisk udstyr og direktiv 2009/125/EF om krav til miljøvenligt design af energirelaterede produkter.
- Oplysninger om særligt problematiske stoffer (SVHC) i henhold til forordning 1907/2006/EF (REACH). Dette produkt indeholder følgende stoffer SVHC:
 - Bly (Pb), CAS-nummer: 7439-92-1
 - Cadmium (Cd), CAS-nummer: 7440-43-9

Black & Decker® og BLACK+DECKER™ og Black & Decker® og BLACK+DECKER™ logoerne er registrerede varemærker tilhørende The Black & Decker® Corporation og bruges under licens. Alle rettigheder forbeholdes. Importeret og distribueret af ENGINEERING AND TECHNOLOGY FOR LIFE, SL Avda. Barcelona s/n Oliana, 25790, Spain

NORKS (Oversatt av originale instruksjonen)

ESPRESSO KAFFETRAKTER BXCO1350E

Kjære kunde,

Tusen takk for at du valgte å kjøpe et Black+Decker-merkeprodukt.

Takket være sin teknologi, design og drift og det faktum at den overgår de strengeste kvalitetsstandardene, kan en fullt tilfredsstillende bruk og lang levetid sikres.

SIKKERHETSÅD OG ADVARSLER

- Les disse instruksjonene nøye før du slår på apparatet og oppbevar dem for fremtidig referanse. Unnlattelse av å følge og følge disse instruksjonene kan føre til en ulykke.
- Dette apparatet kan brukes av personer som ikke er vant til å håndtere det, funksjonshemmede personer eller barn i alderen 8 år og oppover hvis de har fått tilsyn eller instruksjoner om bruk av apparatet på en sikker måte og forstår farene involvert. Rengjøring og brukervedlikehold skal ikke utføres av barn med mindre de er eldre enn 8 år og under tilsyn. Oppbevar apparatet og ledningen utilgjengelig for barn under 8 år.
- Dette apparatet kan brukes av personer med reduserte fysiske, sensoriske eller mentale evner eller mangel på erfaring og kunnskap hvis de har fått tilsyn eller instruksjoner om bruk av apparatet på en sikker måte og forstår farene involvert.
- Barn bør overvåkes for å sikre at de ikke leker med apparatet.

- Rengjør alle delene av produktet som kommer i kontakt med kaffe eller vann, som angitt i avsnittet «Rengjøring», før bruk.
- Dette apparatet må ikke senkes i vann eller annen væske.
- Unngå søl på kontakten.
- Varmeelementets overflate er utsatt for restvarme etter bruk.
- ADVARSEL: Misbruk av dette apparatet kan føre til potensiell skade. Det skal utvises forsiktighet under rengjøring.
- Kaffetrakteren skal ikke plasseres i et skap når den er i bruk.
- Hvis strømledningen er skadet, må den byttes ut av produsenten, dens serviceagent eller en lignende kvalifisert person for å unngå fare.
- Dette apparatet er beregnet for bruk i husholdninger og lignende bruksområder som:
 - personalkjøkkenområder i butikker, kontorer og andre arbeidsmiljøer;
 - våningshus;
 - av kunder i hoteller, moteller og andre boligmiljøer;
 - miljøer av typen bed and breakfast
- Forsikre deg om at spenningen som er angitt på klassifiseringsetiketten samsvarer med nettspenningen før du kobler til apparatet.
- Koble apparatet til en stikkontakt på minst 10 ampere.
- Apparatets støpsele må passe ordentlig inn i stikkontakten. Ikke endre støpselet. Ikke bruk pluggadaptore.
- Ikke bruk apparatet hvis strømledningen eller støpselet er skadet.
- Ikke trekk i strømledningen. Bruk aldri strømledningen til å løfte opp, bære eller trekke ut støpselet.

- Ikke pakk strømledningen rundt apparatet.
- Sjekk tilstanden til strømledningen. Hvis den er skadet, vil det øke risikoen for elektrisk støt.
- Hvis apparatets kabinett går i stykker, koble apparatet fra strømmettet umiddelbart for å unngå muligheten for elektrisk støt.
- Ikke bruk apparatet hvis det har falt på gulvet, hvis det er synlige tegn på skade eller hvis det har lekkasje.
- Ikke berør støpselet med våte hender.
- Apparatet må brukes og plasseres på en flat, stabil overflate.
- Ikke plasser apparatet på varme overflater, som kokeplater, gassbrennere, ovner eller lignende.
- Pass på å unngå å starte apparatet ufrivillig.
- Ikke la apparatet stå ute i regnet eller utsettes for fuktighet. Hvis vann kommer inn i apparatet, vil dette øke risikoen for elektrisk støt.

BRUK OG STELL

- Rull apparatets strømledning helt ut før hver bruk.
- Ikke bruk apparatet hvis tilbehøret ikke er riktig montert.
- Ikke bruk apparatet hvis tilbehøret som er festet til det er defekt. Bytt dem umiddelbart.
- Ikke slå på apparatet uten vann.
- Ikke bruk apparatet hvis av/på-bryteren ikke virker.
- Ikke snu apparatet mens det er i bruk eller koblet til strømmettet.
- Respekter MAX- og MIN-nivåene.
- Koble apparatet fra strømmettet når det ikke er i bruk og før du utfører noen rengjøringsoppgaver.
- Oppbevar dette apparatet utilgjengelig for barn og/eller personer med fysisk, sensorisk eller redusert mental eller mangel på erfaring og kunnskap.
- Bruk kun vann med apparatet.
- Det anbefales å bruke mineralvann på flaske tilpasset konsum.
- Når det lages kaffe, må du ikke fjerne filterholderen, da den er under trykk.

BESKRIVELSE

- A Kontrollknapper
- A1 På/av-knapp
 - A2 1-kopps knapp
 - A3 2-kopps knapp
 - A4 Dampvarmeknapp
- B Dampknapp

- C Vanntanklokk
- D Vanntank
- E Dampprør
- F Håndtak for dampprør
- G Filterholder
- H Filter
- H1 Malt kaffefilter (1 kopp)
 - H2 Malt kaffefilter (2 kopper)
- I Dryppskål
- J Skuffegrill
- K Måleskje

Hvis modellen til apparatet ditt ikke har tilbehøret beskrevet ovenfor, kan det også kjøpes separat fra teknisk assistanse.

INSTRUKSJONER FOR BRUK

FØR BRUK

- Sørg for at all emballasjen til produktet er fjernet.
- Les nøye avsnittet «Sikkerhetsråd og advarsler» før første gangs bruk.
- Før du bruker produktet for første gang, anbefaler vi å kjøre det bare med vann.
- Før du bruker produktet for første gang, rengjør delene som kommer i kontakt med kaffe og vann på den måten som er beskrevet i avsnittet «Rengjøring».

FYLLES MED VANN

- Du må fylle vannbeholderen før du slår på apparatet.
- Trekk ut vanntanken fra stedet.
- Åpne dekselet.
- Fyll beholderen og pass på å overholde MAX- og MIN-nivåene.
- Lukk lokket.
- Sett vanntanken tilbake i huset, og sørg for at den er satt inn riktig.
- MERK: Det er ikke obligatorisk å fjerne vanntanken. Likevel, hvis det er gjort, sørg for at det er plassert riktig etter å ha fylt det.

FYLING MED KAFFE

- Fjern filterholderen ved å dreie den med klokken.
- Plasser kaffepulver som er kompatibelt med espressomaskiner ved hjelp av måleskjeen i filteret. 1 skje for 1 kopp, 2 skjeer for 2 kopper. (6-7 g per kopp skal tilberedes).

- Deretter trykker du lett ned den malte kaffen med baksiden av skjeen.
- Sett filterholderen tilbake i apparatet.
- MERK: Kontroller at filterholderen er riktig montert etter lasting.

BRUK

- Koble apparatet til strømmettet.
- Slå på på/av-knappen. Ringelyset på knappene vil begynne å blinke, noe som indikerer at kaffemaskinen forvarmes.
- Når de slutter å blinke, vil kaffemaskinen gå inn i oppvarmet posisjon og være klar til å brygge din foretrukne kaffe.

LAGE EN KAFFE

- Følg trinnene som er angitt før, i henhold til en kopp pulverisert kaffefylling.
- Når filterholderen er på plass, trykk på 1-koppsknappen.
- Kaffemaskinen stopper automatisk når kaffen er brygget.

LAGE TO KAFFER

- Følg trinnene som er angitt før, i henhold til to kopper pulverkaffefyll.
- Når filterholderen er på plass, trykk på 2-kopps-knappen.
- Kaffemaskinen stopper automatisk når begge kaffene er brygget.

VARMT VANN

- Sett en kopp under damprøret fra den oppvarmede posisjonen.
- Åpne dampknappen ved å dreie den mot klokken. Varmtvann vil begynne å komme ut.
- For å avslutte, lukk vannsystemet ved å vri knappen i revers.

MELKESKUMMING

- Fra oppvarmet posisjon trykker du på dampknappen. Den vil begynne å blinke.
- Når knappen slutter å blinke, vil maskinen være klar til å lage tørr damp.
- Plasser en kopp med melk under damprøret og før damprøret inn til utløpet er nesten i bunnen av koppen.
- Åpne dampknappen ved å dreie den mot klokken. Støyen fra dampen som kommer ut vil høres.
- Juster temperaturen ved å berøre koppen, og når du ser den klar, lukker du dampknappen.
- MERK: Etter damping, hvis du ønsker å gå tilbake til kaffeekstraksjon, trykker du på knappen for én eller to kaffer og senker trykket ved å følge trinnene i avsnittet

“Varmt vann” i denne håndboken. Å slippe ut litt vann vil senke temperaturen og avlaste trykket.

STILLE INN KAFFEMENGDEN

- Du kan stille inn varigheten for de to elektroniske funksjonene til denne kaffetrakteren (lag en kaffe eller to kaffer).
- For å gjøre dette, klargjør maskinen i henhold til funksjonen du ønsker å sette opp.
- Trykk på knappen for funksjonen du ønsker å sette opp i 3 sekunder.
- Du vil se at de andre knappene slutter å lyse.
- Husk å sette en kopp under filterholderen.
- Trykk på knappen igjen for å starte innstillingen.
- Når du når ønsket varighet, trykk igjen for å registrere mengden.

STANDBY-FUNKSJON

- For å spare energi går apparatet i stand-by etter 25 minutter hvis brukeren ikke bruker det.
- Når apparatet går inn i standby-funksjonen, vil på/av-knappen fortsette å blinke sakte.
- Hvis du vil starte maskinen på nytt, kan du trykke på en av de tre knappene.

NÅR DU ER FERDIG MED Å BRUKE APPARATET

- Slå av apparatet med på/av-knappen. Koble apparatet fra strømmettet.
- La apparatet avkjøles.
- Rengjør apparatet.

SIKKERHET TERMISK BESKYTTER

- Apparatet har en sikkerhetsanordning som beskytter apparatet mot overoppheting.
- Når apparatet slår seg på og av gjentatte ganger, av andre grunner enn termostatkontrollen, må du kontrollere at det ikke er noen hindringer som hindrer korrekt luftinntrengning eller -utdriving.
- Hvis apparatet slår seg av og ikke slår seg på igjen, koble det fra strømmettet og vent i ca. 15 minutter før du kobler det til igjen. Hvis maskinen ikke starter igjen, søk autorisert teknisk assistanse.

RENGJØRING

- Koble apparatet fra strømmettet og la det avkjøles før du utfører noen rengjøringsoppgaver.
- Rengjør utstyret med en fuktig klut med noen dråper oppvaskmiddel og tørk det deretter.

- Ikke bruk løsemidler eller produkter med sur eller base pH, for eksempel blekemiddel, eller skuremidler til rengjøring av apparatet.
- Ikke la vann eller annen væske komme inn i luftventilene for å unngå skade på de indre delene av apparatet.
- Følgende deler kan vaskes i oppvaskmaskin (med et mykt rengjøringsprogram) eller varmt såpevann:

- Måleskje
- Vanntank
- Vanntanklokk
- Filtre
- Dryppskål
- Skuffegrill

- Tømme-/tørkeposisjonen til artiklene som kan vaskes i oppvaskmaskin eller i vasken, må gjøre at vannet lett kan renne bort.
- Tørk deretter alle delene før de monteres og lagres.

HVORDAN MAN HANDLE MED KALKKRUSTASJONER

- For at apparatet skal fungere korrekt, må det holdes fritt for kalk- eller magnesiumavleiringer forårsaket av bruk av hardt vann.
- For å forhindre denne typen problemer anbefaler vi bruk av vann med lav mineralisering.
- Denne kaffetrakteren bør avkalkes etter 500 sykluser. Denne tiden er veiledende, og vi anbefaler følgende:
 - Hver 10. uke hvis vannet er "veldig hardt".
 - Hver 17. uke hvis vannet er "hardt".
- Hjemmelagde løsninger anbefales ikke ved avkalking av dette apparatet, for eksempel bruk av eddik.

TJENESTE

- Eventuelt misbruk eller unnlatelse av å følge bruksanvisningen gjør garantien og produsentens ansvar ugyldig.

ANOMALIER OG REPARASJON

- Ta apparatet til en autorisert teknisk supporttjeneste hvis det oppstår problemer. Ikke prøv å demontere eller reparere uten hjelp, da dette kan være farlig.

GARANTI OG TEKNISK HJELP

Dette produktet nyter godt av anerkjennelsen og beskyttelsen av den juridiske garantien i samsvar med gjeldende lovgivning. For å håndheve dine rettigheter eller interesser, må du gå til noen av våre offisielle tekniske assistansetjenester.

Du finner den nærmeste ved å gå til følgende nettløse: <https://www.blackanddecker.eu/>

Du kan også be om relatert informasjon ved å kontakte oss.

Du kan laste ned denne bruksanvisningen og dens oppdateringer på <https://www.blackanddecker.eu/>

FOR EU-PRODUKTVERSJONER OG/ELLER I TILFELLE DET BLIR BEDT OM I DITT LAND ØKOLOGI OG RESIRKULERBARHET AV PRODUKTET

- Materialene som emballasjen til dette apparatet består av, er inkludert i et innsamlings-, klassifiserings- og resirkuleringsystem. Skulle du ønske å avhende dem, bruk passende offentlige containere for hver type materiale.
- Produktet inneholder ikke konsentrasjoner av stoffer som kan anses som skadelige for miljøet.



Dette symbolet betyr at i tilfelle du ønsker å avhende produktet når arbeidslivet er avsluttet, ta det med til et autorisert avfallsmiddel for selektiv innsamling av elektrisk og elektronisk avfall (WEEE).

- Dette apparatet overholder direktiv 2014/35/EU om lavspenning, direktiv 2014/30/EU om elektromagnetisk kompatibilitet, direktiv 2011/65/EU om restriksjoner i bruk av visse farlige stoffer i elektrisk og elektronisk utstyr og direktiv 2009/125/EF om økodesignkrav for energirelaterte produkter.
- Informasjon om stoffer som gir svært bekymring (SVHC) i henhold til forordning 1907/2006/EC (REACH). Dette produktet inneholder følgende stoffer SVHC:

- Lead (Pb), CAS-nummer: 7439-92-1
- Kadmium (Cd), CAS-nummer: 7440-43-9

Black & Decker® og BLACK+DECKER™ og Black & Decker® og BLACK+DECKER™ logoene er registrerte varemerker for The Black & Decker® Corporation og brukes under lisens. Alle rettigheter forbeholdt. Importert og distribuert av ENGINEERING AND TECHNOLOGY FOR LIFE, SL Avda. Barcelona s/n Oliana, 25790, Spain

ESPRESSOKAFFEBRYGGARE
BXC01350E

Kära kund,

Stort tack för att du valde att köpa en Black+Decker-märktsprodukt.

Tack vare dess teknik, utformning och funktion och det faktum att den uppfyller de strängaste kvalitetsnormerna kan man vara säker på att den används på ett tillfredsställande sätt och har en lång livslängd.

SÄKERHETSÅD OCH VARNINGAR

- Läs dessa anvisningar noggrant innan du sätter igång apparaten och spara dem för framtida bruk. Om du inte följer och iakttar dessa anvisningar kan det leda till en olycka.
- Denna apparat kan användas av personer som inte är vana vid att hantera den, funktionshindrade personer eller barn från 8 år och uppåt om de har fått övervakning eller instruktioner om hur apparaten ska användas på ett säkert sätt och förstår riskerna. Rengöring och användarunderhåll får inte utföras av barn om de inte är äldre än 8 år och står under uppsikt. Håll apparaten och dess sladd utom räckhåll för barn under 8 år.
- Denna apparat kan användas av personer med nedsatt fysisk, sensorisk eller mental förmåga eller bristande erfarenhet och kunskap om de har fått övervakning eller instruktioner om hur apparaten ska användas på ett säkert sätt och förstår riskerna.
- Barn bör övervakas så att de inte leker med apparaten.

- Rengör alla delar av produkten som kommer i kontakt med kaffe eller vatten, enligt anvisningarna i avsnittet "Rengöring", före användning.
- Apparaten får inte sänkas ned i vatten eller någon annan vätska.
- Undvik spill på kontaktdonet.
- Värmeelementets yta utsätts för restvärme efter användning.
- VARNING: Felaktig användning av denna apparat kan leda till potentiella skador. Försiktighet ska iakttagas vid rengöring.
- Kaffebryggaren får inte placeras i ett skåp när den används.
- Om sladden är skadad måste den bytas ut av tillverkaren, dess serviceagent eller en liknande kvalificerad person för att undvika fara.
- Den här apparaten är avsedd att användas i hushåll och liknande tillämpningar som t.ex:
 - personalköksutrymmen i butiker, kontor och andra arbetsmiljöer;
 - bondgårdar;
 - av kunder på hotell, motell och andra bostadsområden;
 - Bed and breakfast-miljöer.
- Kontrollera att den spänning som anges på märkskylten stämmer överens med nätspänningen innan du kopplar in apparaten.
- Anslut apparaten till ett eluttag på minst 10 ampere.
- Apparaten stickpropp måste sitta ordentligt i eluttaget. Ändra inte kontakten. Använd inte adapter för stickproppar.
- Använd inte apparaten om nätkabeln eller stickkontakten är skadad.

- Dra inte i nätsladden. Använd aldrig nätkabeln för att lyfta upp, bära eller dra ur apparaten.
- Linda inte nätsladden runt apparaten.
- Kontrollera strömsladdens tillstånd. Om den är skadad ökar risken för elektriska stötar.
- Om apparatens hölje går sönder, koppla omedelbart bort apparaten från elnätet för att förhindra risken för en elektrisk stöt.
- Använd inte apparaten om den har fallit ner på golvet, om det finns synliga tecken på skador eller om det finns ett läckage.
- Rör inte kontakten med våta händer.
- Apparaten måste användas och placeras på ett plant och stabilt underlag.
- Placera inte apparaten på heta ytor, t.ex. kokplattor, gasbrännare, ugnar eller liknande.
- Var försiktig så att du inte startar apparaten ofrivilligt.
- Låt inte apparaten stå ute i regn eller utsättas för fukt. Om vatten tränger in i apparaten ökar risken för elektriska stötar.

ANVÄNDNING OCH SKÖTSEL

- Rulla ut apparatens sladd helt och hållet före varje användning.
- Använd inte apparaten om tillbehören inte är korrekt monterade.
- Använd inte apparaten om tillbehören som är monterade på den är defekta. Byt ut dem omedelbart.
- Slå inte på apparaten utan vatten.
- Använd inte apparaten om av/på-knappen inte fungerar.
- Vänd inte på apparaten när den används eller är ansluten till elnätet.
- Respektera MAX- och MIN-nivåerna.
- Koppla bort apparaten från elnätet när den inte används och innan du utför någon rengöring.
- Förvara apparaten utom räckhåll för barn och/eller personer med fysisk, sensorisk eller nedsatt mental förmåga eller bristande erfarenhet och kunskap.
- Använd endast vatten tillsammans med apparaten.
- Det rekommenderas att man använder mineralvatten på flaska som är anpassat för mänsklig konsumtion.
- Ta inte bort filterhållaren när du kokar kaffe, eftersom den då är under tryck.

BESKRIVNING

A	Kontrollknappar
A1	På/av-knapp
A2	Knapp för 1 kopp
A3	Knapp för 2 koppar
A4	Knapp för ånguppvärmning
B	Ångvred
C	Lock till vattentank
D	Vattentank
E	Ångpipa
F	Handtag för ångrör
G	Filterhållare
H	Filter
H1	Malet kaffefilter (1 kopp)
H2	Malet kaffefilter (2 koppar)
I	Droppbricka
J	Grillplatta
K	Måtsked

Om din apparatmodell inte har de tillbehör som beskrivs ovan kan de också köpas separat från den tekniska servicen.

BRUKSANVISNINGAR

FÖRE ANVÄNDNING

- Se till att alla förpackningar har tagits bort.
- Läs igenom häftet "Säkerhetsråd och varningar" noggrant innan du börjar använda den.
- Innan produkten används för första gången rekommenderar vi att den endast körs med vatten.
- Innan du använder produkten för första gången ska du rengöra de delar som kommer i kontakt med kaffe och vatten på det sätt som beskrivs i avsnittet "Rengöring".

FYLLNING MED VATTEN

- Du måste fylla vattenbehållaren innan du slår på apparaten.
- Ta bort vattentanken från dess plats.
- Öppna locket.
- Fyll på behållaren genom att iaktta MAX- och MIN-nivåerna.
- Stäng locket.
- Sätt tillbaka vattentanken i sitt hölje och se till att den sitter ordentligt på plats.

- OBS: Det är inte obligatoriskt att ta bort vattentanken. Om du ändå gör det, se till att den placeras korrekt efter påfyllningen.

FYLLNING MED KAFFE

- Ta bort filterhållaren genom att vrida den medurs.
- Placera kaffepulver som är kompatibelt med espressomaskiner i filtret med hjälp av måttskeden. 1 sked för 1 kopp, 2 skedar för 2 koppar. (6-7 g per kopp att tillreda).
- Tryck sedan lätt på det malda kaffet med baksidan av skeden.
- Sätt in filterhållaren i apparaten igen.
- OBS: Kontrollera att filterhållaren är korrekt monterad efter lastning.

ANVÄNDNING

- Anslut apparaten till elnätet.
- Slå på On/Off-knappen. Ringlampan på knapparna börjar blinka, vilket indikerar att kaffemaskinen håller på att förvärmas.
- När de slutar blinka går kaffemaskinen i uppvärmningsläge och är redo att brygga ditt favoritkaffe.

GÖR ETT KAFFE

- Följ de steg som anges ovan, enligt en kopp pulveriserad kaffefyllning.
- När filterhållaren är på plats trycker du på 1-koppsknappen.
- Kaffemaskinen stannar automatiskt när kaffet är färdigbryggt.

TILLREDNING AV TVÅ KOPPAR KAFFE

- Följ de steg som anges ovan, enligt två koppar pulveriserad kaffefyllning.
- När filterhållaren är på plats trycker du på knappen 2 koppar.
- Kaffemaskinen stannar automatiskt när båda kaffesorterna har bryggts.

VARMT VATTEN

- Från den uppvärmda positionen, placera en kopp under ångröret.
- Öppna ångvredet genom att vrida det moturs. Varmt vatten kommer att börja strömma ut.
- Avsluta med att stänga vattensystemet genom att vrida vredet bakåt.

SKUMNING AV MJÖLK

- Tryck på ångknappen från det uppvärmda läget. Den börjar blinka.
- När knappen slutar blinka är maskinen redo att tillverka torr ånga.
- Placera en kopp med mjölk under ångröret och för in ångröret tills utloppet är nästan i botten av koppen.
- Öppna ångvredet genom att vrida det moturs. Ljudet av ångan som kommer ut kommer att höras.
- Justera temperaturen genom att röra vid koppen, och stäng ångvredet när du ser att det är klart.
- OBS: Om du efter ångningen vill återgå till kaffeutmatning trycker du på knappen för en eller två koppar kaffe och sänker trycket genom att följa anvisningarna i avsnittet "Varmvatten" i denna bruksanvisning. Att släppa ut lite vatten sänker temperaturen och lättar på trycket.

UPPSTÄLLNING AV KAFFEMÄNGD

- Du kan ställa in varaktigheten för kaffebyggarens två elektroniska funktioner (gör ett kaffe eller två kaffe).
- Förbered maskinen för den funktion som du vill ställa in.
- Tryck på knappen för den funktion du vill ställa in i 3 sekunder.
- Du kommer att se att de andra knapparna slutar lysa.
- Kom ihåg att placera en kopp under filterhållaren.
- Tryck på knappen igen för att starta inställningen.
- När du når önskad varaktighet trycker du på igen för att registrera beloppet.

STAND-BY-FUNKTION

- För att spara energi övergår apparaten till standby efter 25 minuter om användaren inte använder den.
- När apparaten går in i standby-funktionen blinkar på/av-knappen långsamt.
- Om du vill starta om maskinen kan du trycka på någon av de tre knapparna.

NÄR DU HAR ANVÄNT APPARATEN FÄRDIGT

- Slå på apparaten med hjälp av på/av-knappen. Koppla ur apparaten från elnätet.
- Låt apparaten svalna.
- Rengör apparaten.

TERMISK SÄKERHETSSKYDD

- Apparaten har en säkerhetsanordning som skyddar apparaten mot överhettning.
- När apparaten slår på och av sig själv upprepade gånger av andra skäl än termostatkontrollen, kontrollera att det inte finns några hinder som hindrar att luften kommer in eller ut på rätt sätt.

- Om apparaten stängs av och inte startar igen, koppla bort den från elnätet och vänta i cirka 15 minuter innan du kopplar in den igen. Om maskinen inte startar igen ska du söka auktoriserad teknisk hjälp.

RENGÖRING

- Koppla bort apparaten från elnätet och låt den svalna innan du påbörjar någon rengöring.
- Rengör utrustningen med en fuktig trasa med några droppar diskmedel och torka den sedan.
- Använd inte lösningsmedel eller produkter med surt eller basiskt pH-värde, t.ex. blekmedel, eller slipmedel för att rengöra apparaten.
- Låt inte vatten eller någon annan vätska tränga in i ventilationsöppningarna för att undvika skador på apparatens inre delar.
- Följande delar kan diskas i diskmaskin (med mjukt diskprogram) eller med varmt tvålatten:
 - Mätsked
 - Vattentank
 - Lock till vattentank
 - Filter
 - Droppbricka
 - Grillplatta
- Tömning/torkning av artiklar som kan diskas i diskmaskin eller i diskho skall ske så att vattnet lätt kan rinna av.
- Torka sedan alla delar före montering och förvaring.

HUR MAN TAR ITU MED KALKAVLAGRINGAR

- För att apparaten ska fungera korrekt måste den vara fri från kalkavlagringar eller magnesium som orsakats av hårt vatten.
- För att undvika denna typ av problem rekommenderar vi att du använder vatten med låg mineralisering.
- Denna kaffebyggare bör avkalkas efter 500 cykler. Denna tid är en riktlinje, och vi rekommenderar följande:
 - Var 10:e vecka om vattnet är "mycket hårt".
 - Var 17:e vecka om vattnet är "hårt".
- Hemgjorda lösningar rekommenderas inte för avkalkning av apparaten, t.ex. användning av ättika.

SERVICE

- Vid felaktig användning eller underlåtenhet att följa bruksanvisningarna upphör garantin och tillverkarens ansvar att gälla.

AVVIKELSER OCH REPARATION

- Ta med apparaten till en auktoriserad teknisk supporttjänst om problem uppstår. Försök inte demontera eller reparera utan hjälp, eftersom det kan vara farligt.

GARANTI OCH TEKNISKT STÖD

Denna produkt åtnjuter erkännande och skydd av den lagliga garantin i enlighet med gällande lagstiftning. För att upprätthålla dina rättigheter eller intressen måste du gå till någon av våra officiella tekniska assistanstjänster.

Du kan hitta den närmaste genom att gå in på följande länk: <https://www.blackanddecker.eu//>

Du kan också begära relaterad information genom att kontakta oss.

Du kan ladda ner denna bruksanvisning och dess uppdateringar på <https://www.blackanddecker.eu//>.

FÖR PRODUKTVERSIONER INOM EU OCH/ELLER OM DET KRÄVS I DITT LAND PRODUKTENS EKOLOGI OCH ÅTERVINNINGSBARHET.

- De material som förpackningen till denna apparat består av ingår i ett system för insamling, klassificering och återvinning. Om du vill göra dig av med dem ska du använda lämpliga offentliga behållare för varje typ av material.
- Produkten innehåller inga koncentrationer av ämnen som kan anses vara skadliga för miljön.



Denna symbol innebär att om du vill göra dig av med produkten när dess livslängd är slut, ska du lämna den till en auktoriserad avfallshanteringsfirma för selektiv insamling av avfall av elektrisk och elektronisk utrustning (WEEE).

- Den här apparaten uppfyller kraven i direktiv 2014/35/EU om lågspänning, direktiv 2014/30/EU om elektromagnetisk kompatibilitet, direktiv 2011/65/EU om begränsning av användningen av vissa farliga ämnen i elektriska och elektroniska produkter och direktiv 2009/125/EG om krav på ekodesign för energirelaterade produkter.
- Information om ämnen med mycket hög oro (SVHC) enligt förordningen 1907/2006/EG (REACH). Denna produkt innehåller följande ämnen SVHC:

- Bly (Pb), CAS-nummer: 7439-92-1
- Kadmium (Cd), CAS-nummer: 7440-43-9

Black & Decker® och BLACK+DECKER™ och Black & Decker® och BLACK+DECKER™ logotyperna är registrerade varumärken som tillhör The Black & Decker® Corporation och används under licens. Alla rättigheter förbehållna. Importerad och distribuerad av ENGINEERING AND TECHNOLOGY FOR LIFE, SL Avda. Barcelona s/n Oliana, 25790, Spain

ESPRESSOKAHVINKEITIN
BXCO1350E

Hyvä asiakas,

Kiitokset siitä, että olet valinnut Black+Decker-merkkituotteen.

Teknologian, suunnittelun ja toiminnan ansiosta sekä sen ansiosta, että se ylittää tiukimmat laatuvaatimukset, voidaan taata täysin tyydyttävä käyttö ja pitkä käyttöikä.

TURVALLISUUSOHJEET JA VAROITUKSET

- Lue nämä ohjeet huolellisesti ennen laitteen käynnistämistä ja säilytä ne myöhempää käyttöä varten. Näiden ohjeiden noudattamatta jättäminen ja noudattamatta jättäminen voi johtaa onnettomuuteen.
- Tätä laitetta voivat käyttää henkilöt, jotka eivät ole tottuneet laitteen käsittelyyn, vammaiset henkilöt tai vähintään 8-vuotiaat lapset, jos heitä on valvottu tai opastettu laitteen turvallisessa käytössä ja jos he ymmärtävät siihen liittyvät vaarat. Lapset eivät saa suorittaa puhdistusta ja käyttäjien huoltoa, elleivät he ole yli 8-vuotiaita ja ellei heitä valvota. Pidä laite ja sen johto alle 8-vuotiaiden lasten ulottumattomissa.
- Tätä laitetta voivat käyttää henkilöt, joilla on heikentyneet fyysiset, sensoriset tai henkiset kyvyt tai joilla ei ole kokemusta tai tietoa, jos heitä on valvottu tai opastettu laitteen turvallisessa käytössä ja jos he ymmärtävät siihen liittyvät vaarat.

- Lapsia on valvottava sen varmistamiseksi, että he eivät leiki laitteella.
- Puhdista kaikki tuotteen osat, jotka joutuvat kosketuksiin kahvin tai veden kanssa, kuten kohdassa "Puhdistus" on esitetty, ennen käyttöä.
- Tätä laitetta ei saa upottaa veteen tai muuhun nesteeseen.
- Vältä roiskeita liitimeen.
- Lämmityselementin pintaan jää jäännöslämpöä käytön jälkeen.
- VAROITUS: Tämän laitteen väärinkäyttö voi johtaa mahdollisiin vammoihin. Puhdistuksessa on noudatettava varovaisuutta.
- Kahvinkeitintä ei saa sijoittaa kaappiin, kun se on käytössä.
- Jos syöttöjohto on vaurioitunut, valmistajan, sen huoltoedustajan tai vastaavan pätevän henkilön on vaihdettava se vaaran välttämiseksi.
- Tämä laite on tarkoitettu käytettäväksi kotitalouksissa ja vastaavissa sovelluksissa, kuten:
 - henkilökunnan keittiötilat kaupoissa, toimistoissa ja muissa työympäristöissä;
 - maalaistalot;
 - asiakkaat hotelleissa, motelleissa ja muissa asuinympäristöissä;
 - bed and breakfast -tyyppisissä ympäristöissä
- Varmista, että arvokilvessä ilmoitettu jännite vastaa verkkojännitettä ennen laitteen kytkemistä.
- Kytke laite pistorasiaan, jonka nimellisarvo on vähintään 10 ampeeria.

- Laitteen pistokkeen on sovittava kunnolla pistorasiaan. Älä muuta pistoketta. Älä käytä pistokesovittimia.
- Älä käytä laitetta, jos syöttöjohto tai pistoke on vaurioitunut.
- Älä vedä syöttöjohdosta. Älä koskaan käytä virtajohtoa laitteen nostamiseen, kantamiseen tai irrottamiseen.
- Älä kierrä virtajohtoa laitteen ympärille.
- Tarkista syöttöjohdon kunto. Jos se on vaurioitunut, se lisää sähköiskun vaaraa.
- Jos laitteen kotelo rikkoutuu, irrota laite välittömästi sähköverkosta sähköiskun välttämiseksi.
- Älä käytä laitetta, jos se on pudonnut lattialle, jos siinä on näkyviä merkkejä vaurioista tai jos siinä on vuoto.
- Älä koske pistokkeeseen märin käsin.
- Laitetta on käytettävä ja se on asetettava tasaiselle, vakaalle alustalle.
- Älä aseta laitetta kuumille pinnoille, kuten keittolevyille, kaasupolttimille, uuneille tai vastaaville.
- Varo, ettei laite käynnisty tahattomasti.
- Älä jätä laitetta ulos sateeseen tai alltiiksi kosteudelle. Jos laitteeseen pääsee vettä, se lisää sähköiskun vaaraa.

KÄYTTÖ JA HOITO

- Kierrä laitteen syöttöjohto kokonaan irti ennen jokaista käyttökertaa.
- Älä käytä laitetta, jos sen lisävarusteita ei ole asennettu oikein.
- Älä käytä laitetta, jos siihen liitetyt lisävarusteet ovat viallisia. Vaihda ne välittömästi.
- Älä kytke laitetta päälle ilman vettä.
- Älä käytä laitetta, jos on/off-kytkin ei toimi.
- Älä käännä laitetta ympäri, kun se on käytössä tai kytkettynä verkkovirtaan.
- Noudata MAX- ja MIN-tasoja.
- Irrota laite sähköverkosta, kun sitä ei käytetä ja ennen kuin ryhdyt puhdistustöihin.
- Säilytä tätä laitetta lasten ja/tai fyysisesti, aistinvaraisesti tai henkisesti heikentyneen tai kokemuksen ja tietämyksen puutteessa olevien henkilöiden ulottumattomissa.
- Käytä laitteen kanssa vain vettä.
- On suositeltavaa käyttää ihmisravinnoksi soveltuvaa pullotettua kivennäisvettä.
- Kun kahvia valmistetaan, älä poista suodattimen pidikettä, sillä silloin se on paineen alaisena.

KUVAUS

- A Ohjauspainikkeet
 - A1 On/Off-painike
 - A2 1-kupin painike
 - A3 2-kupin painike
 - A4 Höyrynlämmityspainike
- B Höyryruppi
- C Vesisäiliön kansi
- D Vesisäiliö
- E Höyryputki
- F Höyryputken kahva
- G Suodattimen pidike
- H Suodatin
 - H1 Jauhettu kahvisuodatin (1 kuppi)
 - H2 Jauhettu kahvisuodatin (2 kuppia)
- I Tippa-alusta
- J Tarjotingrilli
- K Mittalusikka

Jos laitteesi mallissa ei ole edellä kuvattuja lisävarusteita, niitä voi ostaa myös erikseen teknisen avun palvelusta.

KÄYTTÖOHJEET

ENNEN KÄYTTÖÄ

- Varmista, että kaikki tuotteen pakkaukset on poistettu.
- Lue "Turvallisuusohjeet ja varoitukset" -kirjanen huolellisesti ennen ensimmäistä käyttöä.
- Ennen tuotteen ensimmäistä käyttökertaa suosittelemme, että sitä käytetään vain vedellä.
- Ennen tuotteen ensimmäistä käyttökertaa puhdista kahvin ja veden kanssa kosketuksiin joutuvat osat kohdassa "Puhdistus" kuvatulla tavalla.

TÄYTTÖ VEDELLÄ

- Vesisäiliö on täytettävä ennen laitteen käynnistämistä.
- Ota vesisäiliö pois paikaltaan.
- Avaa kansi.
- Täytä astia ja noudata MAX- ja MIN-tasoja.
- Sulje kansi.
- Aseta vesisäiliö takaisin koteloonsa ja varmista, että se on asetettu oikein.
- HUOM: Vesisäiliön poistaminen ei ole pakollista. Jos se on kuitenkin tehty, varmista, että se asetetaan oikein täytön jälkeen.

TÄYTTÖ KAHVILLA

- Irrota suodattimen pidike kääntämällä sitä myötöpäivään.
- Laita espressokoneiden kanssa yhteensopiva kahvijauhe mittalusikan avulla suodattimeen. 1 lusikka 1 kuppia varten, 2 lusikkaa 2 kuppia varten. (6-7 g valmistettavaa kupillista kohti).
- Paina sitten kahvijauhetta kevyesti lusikan kääntöpuolella.
- Asenna suodattimen pidike laitteeseen vielä kerran.
- HUOM: Tarkista, että suodattimen pidike on kunnolla paikallaan lataamisen jälkeen.

USE

- Kytke laite verkkovirtaan.
- Kytke On/Off-painike päälle. Painikkeiden rengasvalo alkaa vilkkua, mikä osoittaa, että kahvinkeitin esilämmittää.
- Kun vilkkuminen loppuu, kahvinkeitin siirtyy lämmitettyyn asentoon ja on valmis valmistamaan haluamasi kahvin.

YHDEN KAHVIN KEITTÄMINEN

- Noudata edellä mainittuja ohjeita yhden kupillisen kahvijauhetäytteen mukaan.
- Kun suodattimen pidike on paikallaan, paina 1-kupin painiketta.
- Kahvinkeitin pysähtyy automaattisesti, kun kahvi on keitetty.

KAHDEN KAHVIN KEITTÄMINEN

- Noudata edellä mainittuja ohjeita kahden kupillisen kahvijauhetäytteen mukaan.
- Kun suodattimen pidike on paikoillaan, paina 2-kuppipainiketta.
- Kahvinkeitin pysähtyy automaattisesti, kun molemmat kahvit on keitetty.

KUUMA VESI

- Aseta kuppi kuumennetusta asennosta höyryputken alle.
- Avaa höyrynuppi kääntämällä sitä vastapäivään. Kuumaa vettä alkaa tulla ulos.
- Sulje lopuksi vesijärjestelmä kääntämällä nuppia taaksepäin.

MAIDON VAAHDOTTAMINEN

- Paina höyrypainiketta kuumennetusta asennosta. Se alkaa vilkkua.
- Kun painike lakkaa vilkkumasta, laite on valmis tuottamaan kuivahöyryä.
- Aseta kuppi, jossa on maitoa, höyryputken alle ja työnnä höyryputkea, kunnes ulostuloaukko on lähes kupin pohjalla.

- Avaa höyrynuppi kääntämällä sitä vastapäivään. Höyryn ulostulon ääni kuuluu.
- Säädä lämpötila koskettamalla kuppia, ja kun näet sen olevan valmis, sulje höyrynuppi.
- HUOM: Jos haluat höyryttämisen jälkeen palata kahvin uuttamiseen, paina painiketta yhden tai kahden kahvin ajan ja laske painetta tämän käyttöohjeen kohdassa "Kuuma vesi" esitettyjen ohjeiden mukaisesti. Veden vapauttaminen laskee lämpötilaa ja lievittää painetta.

KAHVIN MÄÄRÄN MÄÄRITTÄMINEN

- Voit asettaa kahvinkeitimen kahden elektronisen toiminnon keston (valmistaa yhden kahvin tai kaksi kahvia).
- Valmistele kone sen toiminnon mukaan, jonka haluat ottaa käyttöön.
- Paina sen toiminnon painiketta, jonka haluat määrittää, 3 sekunnin ajan.
- Huomaat, että muut painikkeet lakkaavat palamasta.
- Muista asettaa kuppi suodattimen pidikkeen alle.
- Aloita asetus painamalla painiketta uudelleen.
- Kun saavutat haluamasi keston, paina uudelleen tallentaaksesi määrän.

STAND-BY-TOIMINTO

- Energian säästämiseksi laite siirtyy valmiustilaan 25 minuutin kuluttua, jos käyttäjä ei käytä sitä.
- Kun laite siirtyy valmiustilaan, On/Off-painike vilkkuu hitaasti.
- Jos haluat käynnistää koneen uudelleen, voit painaa mitä tahansa kolmesta painikkeesta.

KUN OLET LOPETTANUT LAITTEEN KÄYTÖN

- Kytke laite päälle on/off-kytkimellä. Irrota laite sähköverkosta.
- Anna laitteen jäähtyä.
- Puhdista laite.

TURVALLINEN LÄMPÖSUOJA

- Laitteessa on turvalaite, joka suojaaa laitetta ylikuumenemiselta.
- Kun laite kytkeytyy toistuvasti päälle ja pois päältä muusta syystä kuin termostaatin ohjauksesta, tarkista, ettei laitteessa ole esteitä, jotka haittaavat ilman oikeaa sisään- tai ulospuhallusta.
- Jos laite kytkeytyy itsestään pois päältä eikä kytkeydy uudelleen päälle, irrota se verkkovirrasta ja odota noin 15 minuuttia ennen kuin kytket sen uudelleen. Jos kone ei käynnisty uudelleen, pyydä valtuutettua teknistä apua.

PUHDISTUS

- Irrota laite sähköverkosta ja anna sen jäähtyä ennen puhdistustöitä.
- Puhdista laite kostealla liinalla, johon on lisätty muutama tippa pesuainetta, ja kuivaa se sitten.
- Älä käytä laitteen puhdistamiseen liuottimia tai tuotteita, joiden pH-arvo on hapan tai emäksinen, kuten valkaisuaineita tai hankaavia tuotteita.
- Älä päästä vettä tai muuta nestettä tuuletusaukkoihin, jotta laitteen sisäosat eivät vaurioitu.
- Seuraavat osat voidaan pestä astianpesukoneessa (pehmeällä puhdistusohjelmalla) tai saippuavedellä:
 - Mittalusikka
 - Vesisäiliö
 - Vesisäiliön kansi
 - Suodattimet
 - Tippa-alusta
 - Tarjotingrilli

- Astianpesukoneessa tai lavuaarissa pestävien esineiden tyhjennys-/kuivausasennon on oltava sellainen, että vesi pääsee valumaan helposti pois.
- Kuivaa sitten kaikki osat ennen niiden kokoamista ja varastointia.

MITEN KÄSITELLÄ KALKKIKERTYMIÄ?

- Jotta laite toimisi moitteettomasti, siinä ei saa olla kovan veden käytöstä johtuvia kalkki- tai magnesiumkertymiä.
- Tällaisten ongelmien välttämiseksi suosittelemme käyttämään vettä, jonka mineralisoituminen on vähäistä.
- Tämä kahvinkeitin on kalkinpoisto 500 käyttökerran jälkeen. Tämä aika on ohjeellinen, ja suosittelemme seuraavaa:
 - 10 viikon välein, jos vesi on "erittäin kovaa".
 - 17 viikon välein, jos vesi on "kovaa".
- Tämän laitteen kalkinpoistoon ei suositella kotitekoisia ratkaisuja, kuten etikan käyttöä.

PALVELU

- Väärinkäyttö tai käyttöohjeiden noudattamatta jättäminen mitätöi takuun ja valmistajan vastuun.

POIKKEAMAT JA KORJAUS

- Vie laite valtuutettuun tekniseen tukipalveluun, jos ongelmia ilmenee. Älä yritä purkaa tai korjata laitetta ilman apua, sillä se voi olla vaarallista.

TAKUU JA TEKNINEN APU

Tämä tuote nauttii voimassa olevan lainsäädännön mukaisen lakisääteisen takuun tunnustusta ja suojaa. Jos haluat valvoa oikeuksiasi tai etujasi, sinun on käännyttävä minkä tahansa virallisen teknisen avun palvelumme puoleen.

Löydät lähimmän löytöpaikan seuraavasta linkistä: <https://www.blackanddecker.eu//>.

Voit myös pyytää lisätietoja ottamalla meihin yhteyttä.

Voit ladata tämän käyttöohjeen ja sen päivitykset osoitteesta <https://www.blackanddecker.eu//>.

EU:N TUOTEVERSIOIDEN OSALTA JA/TAI SIINÄ TAPAUKSESSA, ETTÄ SITÄ PYYDETÄÄN MAASSASI TUOTTEEN EKOLOGISUUS JA KIERRÄTETTÄVYYS

- Materiaalit, joista tämän laitteen pakkaus koostuu, kuuluvat keräys-, luokitus- ja kierrätysjärjestelmään. Jos haluat hävittää ne, käytä kullekin materiaalityypille sopivia julkisia säiliöitä.
- Tuote ei sisällä pitoisuuksia aineita, joita voitaisiin pitää ympäristölle haitallisina.



Tämä symboli tarkoittaa, että jos haluat hävittää tuotteen sen käyttöänsä päätyttyä, vie se valtuutetulle sähkö- ja elektroniikkalaiteromun (WEEE) valikoivaan keräykseen.

- Tämä laite on pienjännitedirektiivin 2014/35/EU, sähkömagneettista yhteensopivuutta koskevan direktiivin 2014/30/EU, tiettyjen vaarallisten aineiden käytön rajoittamisesta sähkö- ja elektroniikkalaitteissa annetun direktiivin 2011/65/EU ja energiaan liittyvien tuotteiden ekologiselle suunnittelulle asetettavista vaatimuksista annetun direktiivin 2009/125/EY mukainen.
- Tiedot erityistä huolta aiheuttavista aineista (SVHC) asetuksen 1907/2006/EY (REACH) mukaisesti. Tämä tuote sisältää seuraavia SVHC-aineita:
 - Lyijy (Pb), CAS-numero: 7439-92-1
 - Kadmium (Cd), CAS-numero: 7440-43-9

Black & Decker® ja BLACK+DECKER™ sekä Black & Decker®- ja BLACK+DECKER™-logot ovat The Black & Decker® Corporationin rekisteröityjä tavaramerkkejä, ja niitä käytetään lisenssillä. Kaikki oikeudet pidätetään. Tuojana ja jakelijana ENGINEERING AND TECHNOLOGY FOR LIFE, S.L. Avda. Barcelona s/n Oliana, 25790, Spain

TURKİN (Orijinal talimatlardan çevrilmiştir)

ESPRESSO KAHVE MAKİNESİ BXCO1350E

Sayın müşterimiz,

Black+Decker marka bir ürün satın almayı tercih ettiğiniz için çok teşekkürler.

Teknoloji, tasarımı ve çalışması ve en katı kalite standartlarını aşması sayesinde tamamen tatmin edici bir kullanım ve uzun ürün ömrü sağlanabilir.

GÜVENLİK ÖNERİLERİ VE UYARILAR

- Cihazı çalıştırmadan önce bu talimatları dikkatlice okuyun ve ileride başvurmak üzere saklayın. Bu talimatlara uyulmaması ve bunlara uyulmaması bir kazaya neden olabilir.
- Bu cihaz, güvenliklerinden sorumlu bir kişi tarafından gözetim altında tutulmadıkları veya cihazla ilgili talimat verilmediği sürece, fiziksel, duysal veya zihinsel yetenekleri sınırlı olan veya deneyim ve bilgi eksikliği olan kişiler (çocuklar dahil) tarafından kullanılmak üzere tasarlanmamıştır.
- Çocuklar, cihazla oynamadıklarından emin olmak için gözetim altında tutulmalıdır.
- Kullanmadan önce ürünün kahve veya suyla temas edecek tüm parçalarını «Temizlik» bölümünde belirtildiği şekilde temizleyin.
- Bu cihaz suya veya başka bir sıvıya batırılmamalıdır.
- Konektör üzerine dökülmekten kaçının.
- Isıtma elemanı yüzeyi kullanımdan sonra artık ısıya maruz kalır.
- UYARI: Bu cihazın yanlış kullanımı potansiyel yaralanmalara yol açabilir. Temizlik sırasında özen gösterilmelidir.
- Kahve makinesi kullanım sırasında dolaba yerleştirilmemelidir.
- Besleme kablosu hasar görürse, bir tehlikeyi önlemek için üretici, servis acentesi veya benzeri bir kalifiye kişi tarafından değiştirilmelidir.
- Bu cihaz ev tipi ve benzeri uygulamalarda kullanılmak üzere tasarlanmıştır:
 - Mağazalar, ofisler ve diğer çalışma ortamlarındaki personel mutfak alanları;
 - çiftlik evleri;
 - otellerde, motellerde ve diğer konut tipi ortamlarda müşteriler tarafından;
 - yatak ve kahvaltılık ortamlar
- Cihazın fişini prize takmadan önce, etiket üzerinde belirtilen voltajın şebeke voltajına uygun olduğundan emin olun.
- Cihazı en az 10 amperlik bir elektrik prizine bağlayın.
- Cihazın fişi elektrik prizine düzgün bir şekilde oturmalıdır. Fiş üzerinde değişiklik yapmayın. Fiş adaptörleri kullanmayın.
- Elektrik kablosu veya fişi hasarlıysa cihazı kullanmayın.
- Besleme kablosunu çekmeyin. Güç kablosunu asla cihazı kaldırmak, taşımak veya fişini çekmek için kullanmayın.
- Güç kablosunu cihazın etrafına sarmayın.
- Besleme kablosunun durumunu kontrol edin. Hasar görürse, elektrik çarpması riski artacaktır.
- Cihaz muhafazalarından herhangi biri kırılırsa, elektrik çarpması olasılığını önlemek için cihazın elektrik bağlantısını derhal kesin.
- Cihaz yere düşmüşse, görünür hasar belirtileri varsa veya sızıntı varsa cihazı kullanmayın.
- Fişe ıslak elle dokunmayın.
- Cihaz düz ve sabit bir yüzey üzerinde kullanılmalı ve yerleştirilmelidir.

- Cihazı pişirme plakaları, gaz brülörleri, fırınlar veya benzerleri gibi sıcak yüzeylere yerleştirmeyin.
- Cihazı istem dışı çalıştırmamaya dikkat edin.
- Cihazı yağmur altında veya neme maruz bırakmayın. Cihazın içine su girerse, bu elektrik çarpması riskini artıracaktır.

KULLANIM VE BAKIM

- Her kullanımdan önce cihazın elektrik kablosunu tamamen uzatın.
- Aksesuarları düzgün şekilde takılmamışsa cihazı kullanmayın.
- Takılı aksesuarların arızalı olması durumunda cihazı kullanmayın. Bunları hemen değiştirin.
- Cihazı su olmadan açmayın.
- Açma/Kapama düğmesi çalışmıyorsa cihazı kullanmayın.
- Cihazı kullanımdayken veya şebekeye bağlıyken ters çevirmeyin.
- MAKS ve MİN seviyelerine uyun.
- Kullanılmadığı zaman ve herhangi bir temizlik işlemine başlamadan önce cihazın elektrik bağlantısını kesin.
- Bu cihazı çocukların ve/veya fiziksel, duyuşsal veya zihinsel engelli veya deneyim ve bilgi eksikliği olan kişilerin erişemeyeceği bir yerde saklayın.
- Cihazla birlikte yalnızca su kullanın.
- İnsan tüketimine uygun şişelenmiş maden suyunun kullanılması tavsiye edilir.
- Kahve yapılırken filtre tutucuyu çıkarmayın, çünkü o sırada basınç altındadır.

TANIM

- | | |
|----|-------------------------------------|
| A | Kontrol Düğmeleri |
| A1 | Açma/Kapama düğmesi |
| A2 | 1 fincan düğmesi |
| A3 | 2 fincanlık düğmesi |
| A4 | Buhar ısıtma düğmesi |
| B | Buhar düğmesi |
| C | Su deposu kapağı |
| D | Su tankı |
| E | Buhar borusu |
| F | Buhar borusu kolu |
| G | Filtre tutucusu |
| H | Filtre |
| H1 | Öğütülmüş kahve filtresi (1 bardak) |
| H2 | Öğütülmüş kahve filtresi (2 bardak) |

- | | |
|---|----------------|
| I | Damlama tepsi |
| J | Tepsi ızgarası |
| K | Ölçü kaşığı |

Eğer cihazınızın modeli yukarıda belirtilen aksesuarlara sahip değilse Teknik Servisten ayrı olarak da satın alınabilir.

KULLANIM İÇİN TALİMATLAR

KULLANMADAN ÖNCE

- Ürünün tüm ambalajlarını çıkarıldığından emin olun.
- Lütfen ilk kullanımdan önce «Güvenlik tavsiyeleri ve uyarılar» bölümünü dikkatlice okuyun.
- Ürünü ilk kez kullanmadan önce sadece su ile çalıştırmanızı öneririz.
- Ürünü ilk kez kullanmadan önce su ve kahve ile temas edecek parçaları «Temizlik» bölümünde anlatıldığı şekilde temizleyin.

SU İLE DOLDURMA

- Cihazı çalıştırmadan önce su haznesini doldurmalısınız.
- Su deposunu yerinden çıkarın.
- Kapağı açın.
- MAX ve MİN seviyelerine dikkat ederek su tankını doldurun.
- Kapağı kapat.
- Su haznesini yuvasına geri yerleştirin ve düzgün takıldığından emin olun.
- NOT: Su deposunun çıkarılması zorunlu değildir. Yine de, eğer yapıldıysa, doldurduktan sonra doğru şekilde yerleştirildiğinden emin olun.

KAHVE DOLDURMA

- Filtre tutucuyu saat yönünde çevirerek çıkarın.
- Ölçü kaşığı yardımıyla espresso makinelerine uygun kahve tozunu filtreye yerleştirin. 1 bardak için 1 kaşık, 2 bardak için 2 kaşık. (fincan başına 6-7 gr hazırlanacak).
- Daha sonra kaşığı arkası ile çekilmiş kahveyi hafifçe bastırın.
- Cihazdaki filtre tutucuyu değiştirin.
- NOT: Yüklemeden sonra filtre tutucunun düzgün şekilde takıldığına doğrulayın.

KULLANMAK

- Cihazı şebekeye bağlayın.
- Açma/Kapama düğmesine basın. Tuşların üzerindeki halka ışık, kahve makinesinin ön ısıtmaya başladığını gösterecek şekilde yanıp sönmeye başlayacaktır.

- Yanıp sönmeyi bıraktıktan sonra kahve makinesi ısıtma konumuna geçecek ve tercih ettiğiniz kahveyi demlemeye hazır olacaktır.

BİR KAHVE YAPMAK

- Bir fincan toz kahve dolumuna göre daha önce belirtilen adımları izleyin.
- Filtre tutucuyu yerine yerleştirdikten sonra 1 fincan düğmesine basın.
- Kahve demlendikten sonra kahve makinesi otomatik olarak duracaktır.

İKİ KAHVE YAPMA

- İki fincan toz kahve dolumuna göre daha önce belirtilen adımları izleyin.
- Filtre tutucuyu yerine yerleştirdikten sonra 2 fincan düğmesine basın.
- Her iki kahve de demlendikten sonra kahve makinesi otomatik olarak duracaktır.

SICAK SU

- Isıtılmış konumdan buhar tüpünün altına bir fincan yerleştirin.
- Buhar düğmesini saat yönünün tersine çevirerek açın. Sıcak su çıkmaya başlayacaktır.
- Son olarak düğmeyi ters çevirerek su sistemini kapatın.

SÜT KÖPÜRTME

- Isıtmalı konumdan buhar düğmesine basın. Yanıp sönmeye başlayacaktır.
- Düğmenin yanıp sönmeye durduğunda makine kuru buhar yapmaya hazır olacaktır.
- Buharın altına bir bardak süt koyun ve buhar tüpünü, çıkış neredeyse bardağın dibine gelinceye kadar içeri sokun.
- Buhar düğmesini saat yönünün tersine çevirerek açın. Çıkan buharın sesi duyulacaktır.
- Bardağa dokunarak sıcaklığı ayarlayın ve hazır olduğunu gördüğünüzde buhar düğmesini kapatın.
- NOT: Buharda pişirdikten sonra kahve çıkarma işlemine dönmek istiyorsanız, bir veya iki kahve için düğmeye basın ve bu kılavuzun "Sıcak su" bölümündeki adımları izleyerek basıncı düşürün. Bir miktar suyun serbest bırakılması sıcaklığı düşürecek ve basıncı azaltacaktır.

KAHVE MİKTARININ AYARLANMASI

- Bu kahve makinesinin iki elektronik fonksiyonunun süresini ayarlayabilirsiniz (bir kahve veya iki kahve yapma).
- Bunu yapmak için makineyi ayarlamak istediğiniz fonksiyona göre hazırlayın.

- Ayarlamak istediğiniz fonksiyonun tuşuna 3 saniye süreyle basın.
- Diğer düğmelerin ışığının söndüğünü göreceksiniz.
- Filtre tutucunun altına bir bardak yerleştirmeyi unutmayın.
- Ayarı başlatmak için düğmeye tekrar basın.
- İsteddiğiniz süreye ulaştığınızda miktarı kaydetmek için tuşuna tekrar basın.

BEKLEME FONKSİYONU

- Enerji tasarrufu sağlamak amacıyla, kullanıcı cihazı kullanmadığı takdirde cihaz 25 dakika sonra bekleme moduna geçer.
- Cihaz bekleme fonksiyonuna girdiğinde Açma/Kapama düğmesi yavaşça yanıp sönmeye devam edecektir.
- Makineyi yeniden başlatmak isterseniz üç düğmeden herhangi birine basabilirsiniz.

CIHAZI KULLANMAYI BITİRDİĞİNİZDE

- Açma/Kapama düğmesini kullanarak cihazı kapatın. Cihazın fişini prizden çekin.
- Cihazın soğumasını bekleyin.
- Cihazı temizleyin.

GÜVENLİK TERMAL KORUYUCU

- Cihazda, cihazı aşırı ısınmaya karşı koruyan bir güvenlik cihazı bulunmaktadır.
- Cihaz, termostat kontrolü dışındaki nedenlerle tekrar tekrar açılıp kapandığında, doğru hava girişini veya çıkışını engelleyen herhangi bir engel olmadığından emin olun.
- Cihaz kendi kendine kapanır ve tekrar açılmazsa, cihazın elektrik bağlantısını kesin ve yeniden bağlamadan önce yaklaşık 15 dakika bekleyin. Makine tekrar çalışmazsa, yetkili teknik yardım alın.

TEMİZLİK

- Herhangi bir temizlik işlemine başlamadan önce cihazın elektrik bağlantısını kesin ve soğumasını bekleyin.
- Ekipmanı nemli bir bezle birkaç damla bulaşık deterjanı ile temizleyin ve ardından kurulayın.
- Cihazı temizlemek için ağartıcı veya aşındırıcı ürünler gibi asit veya baz pH değerine sahip solventler veya ürünler kullanmayın.
- Cihazın iç kısımlarına zarar vermemek için havalandırma deliklerine su veya başka bir sıvının girmesine izin vermeyin.
- Aşağıdaki parçalar bulaşık makinesinde (yumuşak temizleme programı kullanılarak) veya sabunlu sıcak suda yıkanabilir:

- Ölçü kaşığı

- Su tankı
- Su deposu kapağı
- Filtreler
- Damlama tepsi
- Tepsi izgarası

- Bulaşık makinesinde veya lavaboda yıkanabilen eşyaların boşaltma/kurutma konumu, suyun kolayca tahliye edilmesine olanak tanınmalıdır.
- Ardından, birleştirilmeden ve saklanmadan önce tüm parçaları kurutun.

KİREÇ KABUKLANMALARIYLA NASIL BAŞA ÇIKILIR

- Cihazın düzgün çalışması için, sert su kullanımının neden olduğu kireç veya magnezyum kabuklarından arındırılmış olması gerekir.
- Bu tür problemlerin önüne geçmek için düşük minerali su kullanmanızı tavsiye ederiz.
- Bu kahve makinesinin kireci 500 yıkamadan sonra çözümlenir. Bu sefer bir kılavuzdur ve aşağıdakileri öneriyoruz:

- Su "çok sert" ise 10 haftada bir.
- Su "sert" ise her 17 haftada bir.

- Bu cihazın kireçlenmesinde sirke kullanımı gibi ev yapımı çözümler önerilmez.

HİZMET

- Herhangi bir yanlış kullanım veya kullanım talimatlarına uyulmaması, garantiyi ve üreticinin sorumluluğunu geçersiz ve geçersiz hale getirmektedir.

ANOMALİLER VE ONARIM

- Sorun çıkması durumunda cihazı yetkili teknik servise götürün. Yardım almadan sökmeye veya onarmaya çalışmayın, çünkü bu tehlikeli olabilir.

GARANTİ VE TEKNİK YARDIM

Bu ürün, yürürlükteki mevzuata göre yasal garantinin tanınmasına ve korunmasına sahiptir. Haklarınızı veya çıkarlarınızı uygulamak için resmi teknik yardım hizmetlerimizden herhangi birine gitmelisiniz.

Aşağıdaki web bağlantısına erişerek size en yakın olanı bulabilirsiniz: <https://www.blackanddecker.eu/>

Ayrıca bizimle iletişime geçerek ilgili bilgileri talep edebilirsiniz.

Bu kullanım kılavuzunu ve güncellemelerini <https://www.blackanddecker.eu/> adresinden indirebilirsiniz.

AB ÜRÜN SÜRÜMLERİ VE/VEYA ÜLKENİZDE TALEP EDİLMESİ DURUMUNDA ÜRÜNÜN EKOLOJİSİ VE GERİ DÖNÜŞTÜRÜLEBİLİRLİĞİ

- Bu cihazın ambalajının içerdiği malzemeler bir toplama, sınıflandırma ve geri dönüşüm sistemine dahildir. Bunları bertaraf etmek isterseniz, her bir malzeme türü için uygun kamu konteynerlerini kullanın.
- Ürün, çevreye zararlı olduğu düşünülebilecek konsantrasyonlarda madde içermez.



Bu sembol, ürünü çalışma ömrü sona erdikten sonra elden çıkarmak isterseniz, atık elektrikli ve elektronik ekipmanların (WEEE) seçici olarak toplanması için yetkili bir atık maddesine götürmeniz anlamına gelir.

- Bu cihaz, 2014/35/EU Alçak Gerilim Direktifi, Elektromanyetik Uyumluluk Direktifi 2014/30/EU, elektrikli ve elektronik cihazlarda belirli tehlikeli maddelerin kullanımının kısıtlamaları hakkında 2011/65/EU Direktifi ve enerji ile ilgili ürünler için ekotasarım gereksinimleri hakkında 2009/125/EC Direktifi ile uyumludur.
- 1907/2006/EC (REACH) Yönetmeliğine göre yüksek önem arz eden maddelere (SVHC) ilişkin bilgiler. Bu ürün aşağıdaki maddeleri içerir: SVHC:

- Kurşun (Pb), CAS Numarası: 7439-92-1
- Kadmium (Cd), CAS Numarası: 7440-43-9

Black & Decker® ve BLACK+DECKER™ ile Black & Decker® ve BLACK+DECKER™ logoları, The Black & Decker® Corporation'ın tescilli ticari markalarıdır ve lisans altında kullanılmaktadır. Tüm hakları saklıdır. ENGINEERING AND TECHNOLOGY FOR LIFE. SL tarafından ithal edilmiş ve dağıtılmıştır. Avda. Barcelona s/n Oliana, 25790, Spain

עבור גרסאות מוצר של האיחוד האירופי ו/או במקרה שהוא מתבקש במדינתך

אקולוגיה ומיחזור של המוצר

- החומרים מהם מורכבת האריזה של מכשיר זה כלולים במערכת איסוף, סיווג ומחזור אם ברצונך להיפטר מהם, השתמש במיכלים הציבוריים המתאימים לכל סוג של חומר.
- המוצר אינו מכיל ריכוזים של חומרים העלולים להיחשב כמוזיקים לסביבה.

סמל זה אומר שבמקרה שתצצה להשליך את המוצר לאחר שחיי העבודה שלו הסתיימו, קח אותו לסוכן פסולת מורשה לאיסוף סלקטיבי של פסולת ציוד חשמלי ואלקטרוני (WEEE).



• מכשיר זה תואם להנחיה EU/2014/35 בנושא מתח נמוך, הנחיה EU/2014/30 בנושא תאימות אלקטרומגנטית, הנחיה EU/2011/65 בנושא הגבלות השימוש בחומרים מסוכנים מסוימים בציוד חשמלי ואלקטרוני והנחיה EC/2009/125 בנושא דרישות העיצוב האקולוגי למוצרים הקשורים לאנרגיה.

• מידע לגבי חומרים מדאיגים מאוד (SVHC) לפי תקנה EC (REACH)/1907/2006. מוצר זה מכיל את החומרים הבאים: SVHC

• עופרת (Pb), מספר CAS: 7439-92-1

• קדמיום (Cd), מספר CAS: 7440-43-9

Black & Decker ו-BLACK+DECKER™ והלוגו של Black & Decker ו-BLACK+DECKER™ הם סימנים מסחריים רשומים של The Black & Decker Corporation ונמצאים בשימוש תחת רישיון. כל הזכויות שמורות. מיובא ומופץ על ידי ENGINEERING AND TECHNOLOGY FOR LIFE, SL Avda. Barcelona s/n Olliana, 25790, Spain

- מניחים כוס עם חלב מתחת לאדים ומכניסים את צינור הקיטור עד שהצינור נמצאת כמעט בתחתית הכוס.
- פתח את כפתור הקיטור וסובב אותו נגד כיוון השעון. רעש הקיטור היוצא יישמע.
- כוונן את הטמפרטורה על ידי נגיעה בכוס, וכשתראה שהיא מוכנה, סגור את כפתור הקיטור.
- הערה: לאחר האידוי, אם ברצונך לחזור למיצוי קפה, לחץ על הלחצן עבור קפה אחד או שניים והורד את הלחץ, בצע את השלבים בסעיף "מים חמים" במדריך זה. שחרור מעט מים יוריד את הטמפרטורה ויקל על הלחץ.

הגדרת כמות הקפה

- אתה יכול להגדיר את משך הזמן עבור שתי הפונקציות האלקטרוניות של מכונת קפה זו (להכין קפה אחד או שני קפה).
- לשם כך, הכן את המכונה בהתאם לפונקציה שברצונך להגדיר.
- לחץ על הלחצן של הפונקציה שברצונך להגדיר למשך 3 שניות.
- תראה שהלחצנים האחרים מפסיקים להאיר.
- זכור להניח כוס מתחת למחזיק המסנן.
- לחץ שוב על הלחצן כדי להתחיל את ההגדרה.
- כאשר תגיע למשך הרצוי, לחץ שוב כדי לרשום את הכמות.

פונקציית המתנה

- על מנת לחסוך באנרגיה, המכשיר עובר למצב המתנה לאחר 25 דקות אם המשתמש אינו משתמש בו.
- כאשר המכשיר נכנס לפונקציית המתנה, לחצן ההפעלה/כיבוי ימשיך להבהב באיטיות.
- אם ברצונך להפעיל מחדש את המכשיר, תוכל ללחוץ על כל אחד משלושת הכפתורים.

לאחר שתיים להשתמש במכשיר

- כבה את המכשיר באמצעות לחצן ההפעלה/כיבוי. נתק את המכשיר מהחשמל.
- תן למכשיר להתקרר.
- נקה את המכשיר.

מגן תרמי בטיחות

- למכשיר יש התקן בטיחות המגן על המכשיר מפני התחממות יתר.
- כאשר המכשיר מדליק ומכבה את עצמו שוב ושוב, מסיבות אחרות מלבד בקרת התרמוסטט, בדוק שאין מכשולים המונעים כניסת אוויר או פליטה נכונה.
- אם המכשיר מכבה את עצמו ואינו נדלק שוב, נתק אותו מהחשמל והמתן כ-15 דקות לפני חיבורו מחדש. אם המכונה לא מתניעה שוב, פנה לסיוע טכני מורשה.

ניקוי

- נתק את המכשיר מהחשמל ואפשר לו להתקרר לפני ביצוע כל משימת ניקוי.
- נקו את הציוד עם מטלית לחה עם כמה טיפות של נוזל כביסה ולאחר מכן יבש אותו.

- אין להשתמש בממיסים או במוצרים בעלי חומצה או pH בסיסי, כגון אקונומיקה, או מוצרים שוחקים, לניקוי המכשיר.
- אל תתנו למים או לכל נוזל אחר להיכנס לפתחי האוויר כדי למנוע נזק לחלקים הפנימיים של המכשיר.
- ניתן לטשף את החלקים הבאים במדיח כלים (באמצעות תוכנית ניקוי רכה) או במים חמים וסבון:

- כף מדידה
- מיכל מים
- מכסה מיכל מים
- מסננים
- מגש טפטוף
- גריל מגש

- תנוחת הניקוף/יבוש של הפריטים הניתנים לשיטפה במדיח כלים או בכיור חייבת לאפשר למים להתנקז בקלות.
- לאחר מכן יבש את כל החלקים לפני ההרכבה והאחסון שלהם.

איך מתמודדים עם הצטברויות אבנית

- כדי שהמכשיר יפעל כהלכה, יש לשמור אותו נקי מאבנית או כתמים מגוונים שנגרמו משימוש במים קשים.
- כדי למנוע בעיה מסוג זה, אנו ממליצים להשתמש במים עם מינרליזציה נמוכה.
- יש להסיר אבנית ממכונת קפה זו לאחר 500 מחזורים. הזמן הזה הוא קו מנחה, ואנו ממליצים על הדברים הבאים:
- כל 10 שבועות אם המים "קשים מאוד".
- כל 17 שבועות אם המים "קשים".
- פתרונות תוצרת בית אינם מומלצים בהסרת אבנית של מכשיר זה, כגון שימוש בחומץ.

שרות

- כל שימוש לרעה או אי ציות להוראות השימוש הופך את האחריות ואת אחריות היצרן לבטלה ומבוטלת.

חריגות ותקוון

- קח את המכשיר לשירות תמיכה טכנית מורשה אם מתעוררות בעיות. אל תנסה לפרק או לתקן ללא סיוע, שכן זה עלול להיות מסוכן.

אחריות וסיוע טכני

מוצר זה נהנה מהכרה והגנה של הערבות המשפטית בהתאם לחקיקה הנוכחית. כדי לאכוף את הזכויות או האינטרסים שלך, עליך ללכת לכל אחד משירותי הסיוע הטכני הרשמיים שלנו.

אתה יכול למצוא את הקרוב ביותר על ידי גישה לקישור האינטרנט הבא: <https://www.blackanddecker.eu/>

אתה יכול גם לבקש מידע קשור על ידי יצירת קשר

אתה יכול להוריד מדריך הוראות זה ואת העדכונים שלו בכתובת <https://www.blackanddecker.eu/>

C	מכסה מיכל מים	מילוי מים
D	מיכל מים	• עליון למלא את תא המים לפני הפעלת המכשיר.
E	צינור קיטור	• חליץ את מיכל המים ממקומו.
F	ידית צינור קיטור	• פתח את המכסה.
G	מחזיק מסנן	• מלא את הכלי תוך הקפדה על רמות MAX ו-MIN.
H	לְסַנֵּן	• סגור את המכסה.
	H1 פילטר קפה טחון (1 כוס)	• החזירו את מיכל המים לבית שלו, ודא שהוא מוכנס כראוי.
	H2 פילטר קפה טחון (2 כוסות)	• הערה: אין חובה להסיר את מיכל המים. למרות זאת, אם זה נעשה, ודא שהוא ממוקם נכון לאחר מילוי זה.
I	מגש טפטוף	מילוי בקפה
J	גריל מגש	• הסר את מחזיק המסנן, סובב אותו בכיוון השעון.
K	כף מדידה	• בעזרת כף המדידה מניחים בפילטר אבקת קפה תואמת למכונת אספרסו. 1 כפית עבור 1 כוס, 2 כפיות עבור 2 כוסות. (7-6 גרם לכוס להכנה).

אם לדגם המכשיר שלך אין את האביזרים המתוארים לעיל, ניתן גם לקנות אותם בנפרד משירות הסיוע הטכני.

שימוש וטיפול

- פתח את כבל החשמל של המכשיר במלואו לפני כל שימוש.
- אל תשתמש במכשיר אם האביזרים שלו אינם מותאמים כהלכה.
- אל תשתמש במכשיר אם האביזרים המחוברים אליו פגומים. החליף אותם מיד.
- אין להפעיל את המכשיר ללא מים.
- אל תשתמש במכשיר אם מתג ההפעלה/כיבוי אינו פועל.
- אל תהפוך את המכשיר בזמן שהוא בשימוש או מחובר לרשת החשמל.
- כבד את רמות MAX ו-MIN.
- נתק את המכשיר מהחשמל כאשר אינו בשימוש ולפני ביצוע משימות ניקוי כלשהי.
- אחסן מכשיר זה הרחק מהישג ידם של ילדים ו/או אנשים עם חוסר ניסיון וידע פיזיים, תחושתיים או נפשיים מופחתים.
- השתמש רק במים עם המכשיר.
- מומלץ להשתמש במים מינרליים בבקבוקים המותאמים למאכל אדם.
- בעת הכנת קפה, אל תסיר את מחזיק המסנן, מכיוון שבאותו זמן הוא נמצא בלחץ.

הוראות לשימוש

- לפני השימוש**
- ודא שכל אריוות המוצר הוסרה.
 - אנא קרא בעיון את הסעיף "עצות ואזהרות בטיחות" לפני השימוש הראשון.
 - לפני השימוש במוצר בפעם הראשונה, אנו ממליצים להפעיל אותו רק עם מים.
 - לפני השימוש במוצר בפעם הראשונה, נקה את החלקים שיבואו במגע עם קפה ומים באופן המתואר בסעיף "ניקוי".
- מיים חמים**
- מהמצב המחומם, הניחו כוס מתחת לצינור הקיטור.
 - פתח את כפתור הקיטור וסובב אותו נגד כיוון השעון. מיים חמים יתחילו לצאת.
 - לסיום, סגור את מערכת המים על ידי סיבוב הכפתור לאחור.
- הקצפת חלב**
- מהמצב המחומם, לחץ על לחצן הקיטור. זה יתחיל להבהב.
 - ברגע שהלחצן יפסיק להבהב, המכונה תהיה מוכנה להכנת קיטור יבש.

לקוח יקר,

תודה רבה על הבחירה ברכישת מוצר של המותג Black+Decker. הודות לטכנולוגיה, העיצוב והתפעול שלה והעבודה שהיא עולה על תקני האיכות המחמירים ביותר, ניתן להבטיח שימוש משביע רצון לחלוטין וחיי מוצר ארוכים.

עצות ואזהרות בטיחות

• **אנא קרא הוראות אלה בעיון לפני הפעלת המכשיר ושומר אותן לעיון עתידי.** אי ציות להוראות אלה והקפדה עליהן עלול להוביל לתאונה.

• **מכשיר זה אינו מיועד לשימוש על ידי אנשים (כולל ילדים) עם יכולות פיזיות, חושיות או נפשיות מופחתות או חוסר ניסיון וידע, אלא אם כן הם קיבלו פיקוח או הדרכה בנוגע למכשיר על ידי אדם האחראי לבטיחותם.**

• **ילדים צריכים להיות תחת השגחה כדי לוודא שהם לא משחקים עם המכשיר.**

• **נקו את כל חלקי המוצר שייגעו במגע עם קפה או מים, כפי שמצוין בסעיף "ניקוי", לפני השימוש.**

• **אין לטבול מכשיר זה במים או בכל נוזל אחר.**

• **הימנע מלשפך על המחבר.**

• **משטח גוף החימום נתון לחוסר שיורי לאחור השימוש.**

• **אזהרה:** שימוש לרעה במכשיר זה עלול להוביל לפציעה אפשרית. יש לנקוט זהירות במהלך הניקוי.

• **מכונת הקפה לא תמוקם בארון בעת השימוש.**

• **אם כבל האספקה פגום, יש להחליף אותו על ידי היצרן, סוכן השירות שלו או אדם מוסמך דומה כדי למנוע סכנה.**

• **מכשיר זה מיועד לשימוש ביישומים ביתיים ודומים כגון:**

- **צוות אזורי מטבח בחנויות, משרדים וסביבות עבודה אחרות;**

- **בית חווה;**

- **על ידי לקוחות בבתי מלון, מוטלים ובסביבות מגורים אחרות;**

- **סביבות מסוג לינה וארוחת בוקר**

• **דאג שהמתח המצוין בתווית הדירוג תואם למתח החשמל לפני חיבור המכשיר.**

• **חבר את המכשיר לשקע חשמל בעל עוצמה של 10 אמפר לפחות.**

• **התקע של המכשיר חייב להתאים לשקע החשמל כראוי. אל תשנה את התקע. אין להשתמש במתאמי תקע.**

• **אל תשתמש במכשיר אם כבל החשמל או התקע פגומים.**

• **אל תמשוך בכבל החשמל. לעולם אל להשתמש בכבל החשמל כדי להרים, לשאת או לנתק את המכשיר.**

• **אין לעטוף את כבל החשמל סביב המכשיר.**

• **בדוק את מצב כבל החשמל. אם הוא ניזוק, זה יגדיל את הסיכון להתחשמלות.**

• **אם מתחם המכשיר נשבר, נתק מיד את המכשיר מהחשמל כדי למנוע אפשרות של התחשמלות.**

• **אין להשתמש במכשיר אם הוא נפל על הרצפה, אם יש סימנים גלויים של נזק או אם יש לו נזילה.**

• **אין לנגע בתקע בידיים רטובות.**

• **יש להשתמש במכשיר ולהציב אותו על משטח ישר ויציב.**

• **אין להניח את המכשיר על משטחים חמים, כגון צלחות בישול, מבערי גז, תנורים וכדומה.**

• **הקפד להימנע מהפעלת המכשיר באופן לא רצוני.**

• **אין להשאיר את המכשיר בחוץ בגשם או חשוף ללחות. אם מים נכנסים למכשיר, זה יגדיל את הסיכון להתחשמלות.**

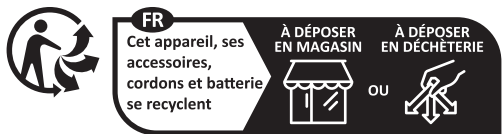
תיאור

- A כפתורי שליטה
- A1 כפתור הדלקה / כיבוי
- A2 כפתור 1 כוס
- A3 כפתור 2 כוסות
- A4 כפתור חימום בקיטור
- B ידית קיטור

België/Belgique/ Luxembourg	Stanley Black & Decker Belgium BVBA Egide Walschaertsstraat 16 2800 Mechelen	www.blackanddecker.be enduser.BE@SBDinc.com Tel - NL. +32 15 47 37 65 Tel - FR. +32 15 47 37 66 Fax. +32 15 47 37 99
Bulgaria	Stanley Black&Decker Polska Bucharest Branch Phoenicia Business Center Turtulelor Street, No 11A, 6th Floor,Module 15, 3rd District. Bucharest (Romania)	office.bucharest@sbdinc.com Tel. +4021.320.61.04.
Česká Republika	Stanley Black & Decker Czech Republic s.r.o. Chodov Tůrkova 2319/5b 149 00 Praha 4 Česká Republika	www.blackanddecker.cz recepce@blackanddecker.cz Tel: 261 009 782
Danmark	Black & Decker Roskildevej 22 2620 Albertslund	www.blackanddecker.dk kundeservice.dk@sbdinc.com Tel. 70 20 15 10 Fax. 70 22 49 10
Deutschland	Stanley Black & Decker Deutschland GmbH Black & Decker Str. 40, D - 65510 Idstein	www.blackanddecker.de infobfge@sbdinc.com Tel. 06126 21-0 Fax 06126 21-2980
Ελλάδα	Black & Decker ΕΛΛΑΣ ΕΔΡΑ-ΓΡΑΦΕΙΑ : Στράβωνος 7 & Λ. Βουλιαγμένης, 166 74 Γλυφάδα - Αθήνα SERVICE : Ημερος Τόπος 2 (Χάνι Αδάμ) - 193 00 Ασπρόπυργος	www.blackanddecker.gr Greece.Service@sbdinc.com Τηλ: 210-8981616 Φαξ: 210-8983570 Τηλ Service: 210-8985208 Φαξ: 210-5597598
España	Engineering and Technology for Life Spain Avenida Barcelona s/n 25790 Oliana (Lleida)	www.blackanddecker.es service.spain@etforlife.com
France	Engineering and Technology for Life France 6 rue de l'Industrie Z.I des Sablons 89100 Sens	www.blackanddecker.fr service.france@etforlife.com
Helvetia	ROFO AG Gewerbezone Seeblick 3213 Kleinbödingen	www.blackanddecker.ch service@rofoag.ch Tel. 026 674 93 93 Fax 026 674 93 94
Hungary	Stanley Black & Decker Hungary Kft. Meszaros u. 58/B 1016 Budapest (Hungary)	www.blackanddecker.hu Tel: 1.6 225-1661 / 62
Italia	Stanley Black & Decker Italia Via Energypark 6 c/o Energypark Building 3 sud 20871 Vimercate (MB)	www.blackanddecker.it service.italia@SBDinc.com Tel. 039-9590200 Fax 039-9590313 Numero verde. 800-213935
Nederland	Stanley Black & Decker Netherlands BV Holtum Noordweg 35 6121 RE BORN Postbus 83. 6120 AB BORN	www.blackanddecker.nl enduser.NL@SBDinc.com Tel. +31 164 283 065 Fax +31 164 283 200

Norge	Black & Decker Postboks 4613, Nydalen, 0405 Oslo	www.blackanddecker.no kundeservice.no@sbdinc.com
Österreich	Stanley Black & Decker Austria GmbH Oberlaaerstraße 248, A-1230 Wien	www.blackanddecker.at service.austria@sbdinc.com Tel. 01 66116-0 Fax 01 66116-614
Polska	Stanley Black & Decker Polska SP.z.o.o ul. Postepu 21D 02-676 Warszawa Polska	www.blackanddecker.pl reception.warsaw@sbdinc.com Tel: 22 4642700
Portugal	Engineering and Technology for Life Portugal Avenida Rainha D. Amélia, nº12-B 1600-677 Lisboa	www.blackanddecker.pt service.portugal@etforlife.com
Romania	Stanley Black&Decker Polska Bucharest Branch Phoenicia Business Center Turturelelor Street, No 11A, 6th Floor,Module 15, 3rd District. Bucharest (Romania)	office.bucharest@sbdinc.com Tel. +4021.320.61.04.
Slovenija	G-M&M, Trgovina d.o.o. Cesta dr. Jožeta Pučnika 10, 1290 Grosuplje (Slovenija)	+386(0)1 78 66 552 nabava@g-mm.si
Suomi	Black & Decker PL 47, 00521 Helsinki	www.blackanddecker.fi asiakaspalvelu.fi@sbdinc.com
Sverige	Black & Decker AB Box 94, 431 22 Mölndal	www.blackanddecker.se kundservice.se@sbdinc.com
Türkiye	KALE Hirdavat ve Makina A.Ş. Defterdar Mah. Savaklar Cad. No: 15 Edimekapi / Eyüp / Istanbul 34050	www.blackanddecker.com.tr Tel. 0212 533 52 55 Fax. 0212 533 10 05
United Kingdom & Republic Of Ireland	Black & Decker Slough, Berkshire SL1 4DX 270 Bath Road "	www.blackanddecker.co.uk emeaservice@sbdinc.com Tel. 01753 511234 Fax. 01753 512365
Middle East & Africa	Black & Decker P.O.Box - 17164 Jebel Ali Free Zone (South), Dubai, UAE	www.blackanddecker.ae service.mea@sbdinc.com Tel. +971 4 8863030 Fax. +971 4 8863333





Points de collecte sur www.quefairedemesdechets.fr

ENGINEERING AND TECHNOLOGY FOR LIFE, S.L.
Avda. Barcelona s/n, Oliana, 25790, Spain
www.blackanddecker.eu